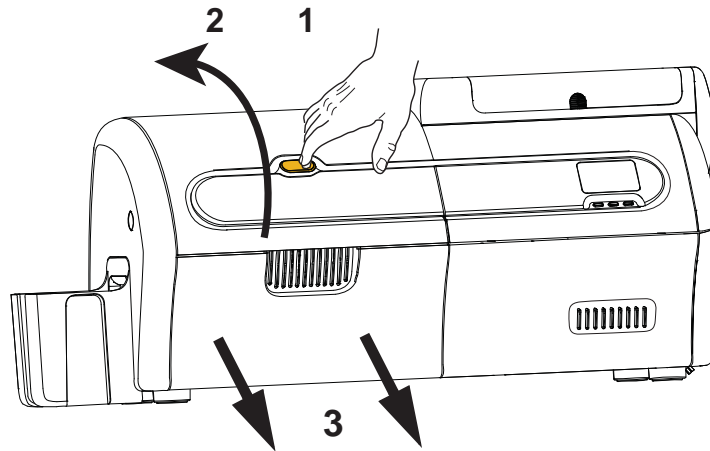


Loading a Print Ribbon

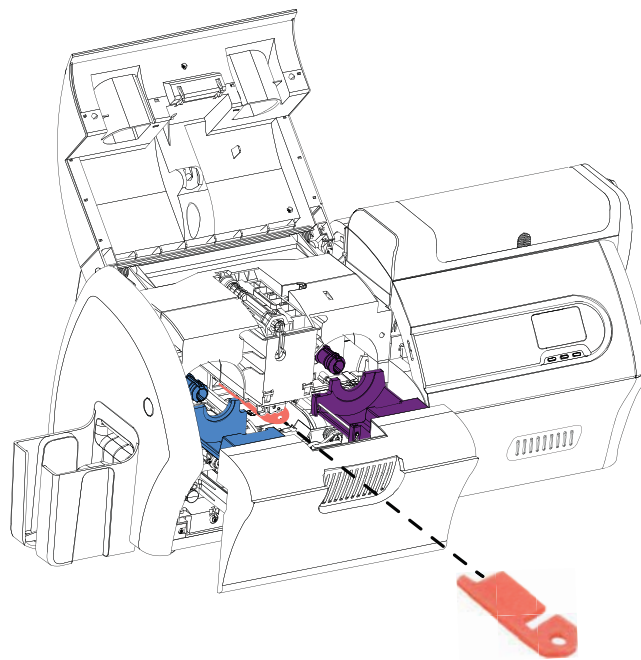
The ZXP Series 7 Printer is designed to work only with Zebra True Colours® Ribbons in order to achieve rich, vibrant image production over the full-color spectrum.

Step 1. Press the Print Cover Release Button.



Step 2. Open the Print Cover.

Step 3. Slide out the Ribbon Drawer until it stops. It is not necessary to remove it.

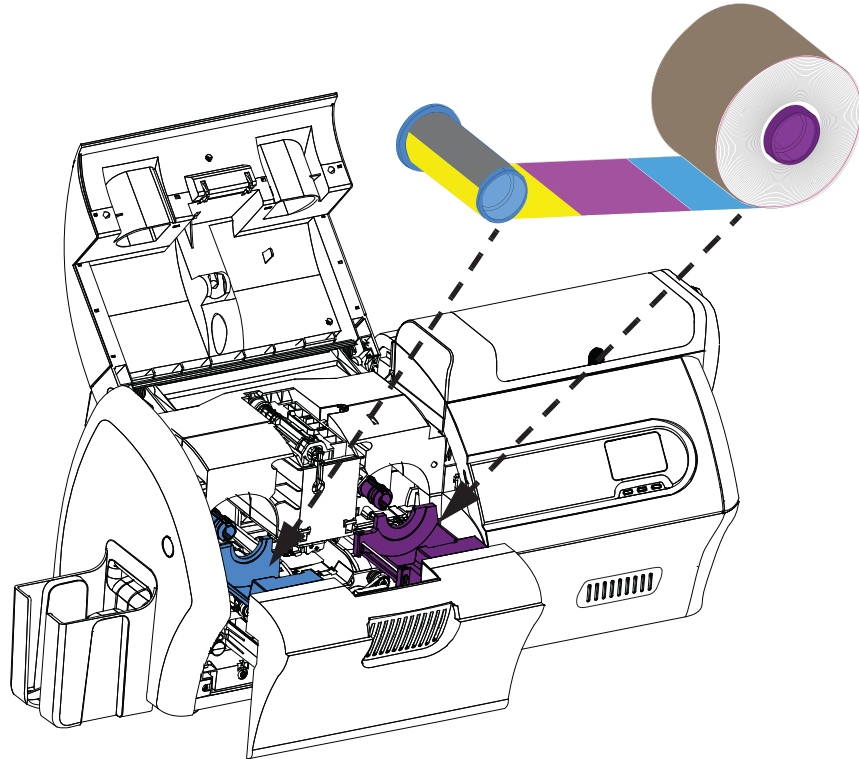


Step 4. Remove the printhead protective foam, if present.

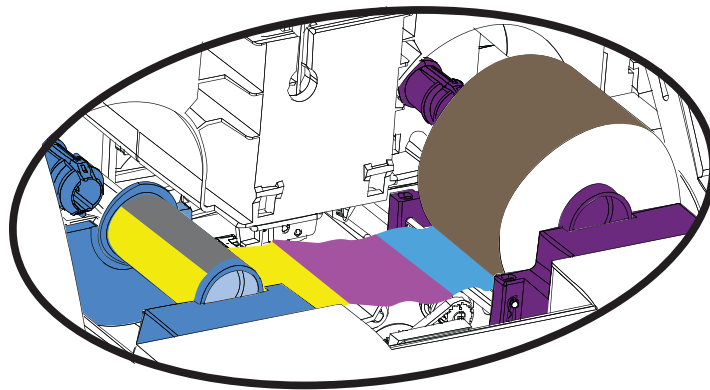
2: Installation and Setup

Loading a Print Ribbon

- Step 5.** Take the print ribbon out of the box.
- Step 6.** Carefully unroll the print ribbon. Note that there is a clear leader with a sticky surface holding the print ribbon in place. This leader needs to be pulled free and rolled onto the take-up spool.
- Step 7.** Make sure the print ribbon comes off the bottom of the supply spool and feeds to the bottom of the take-up spool.
- Step 8.** Set the print ribbon supply spool (**PURPLE**) into the supply carrier (**PURPLE**).

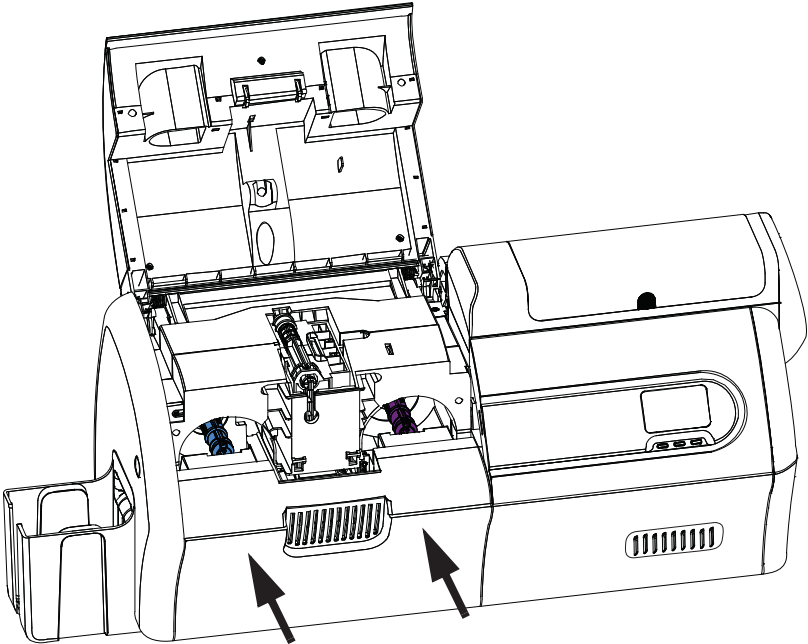


- Step 9.** Set the empty take-up spool (**BLUE**) into the take-up carrier (**BLUE**).



- Step 10.** Rotate the spools as required to take up excess slack in the ribbon.

Step 11. Close the Ribbon Drawer.



Step 12. Close the Print Cover, and press down until it latches securely.

