

2.1 Installing the Ribbon Cartridge

The ZXP Series 1 Printer requires genuine Zebra ZXP Series 1 True Colours® ix Series Ribbons. These high-performance Resin Thermal Transfer and Dye Sublimation ribbons are specifically designed for the ZXP Series 1 Printer.

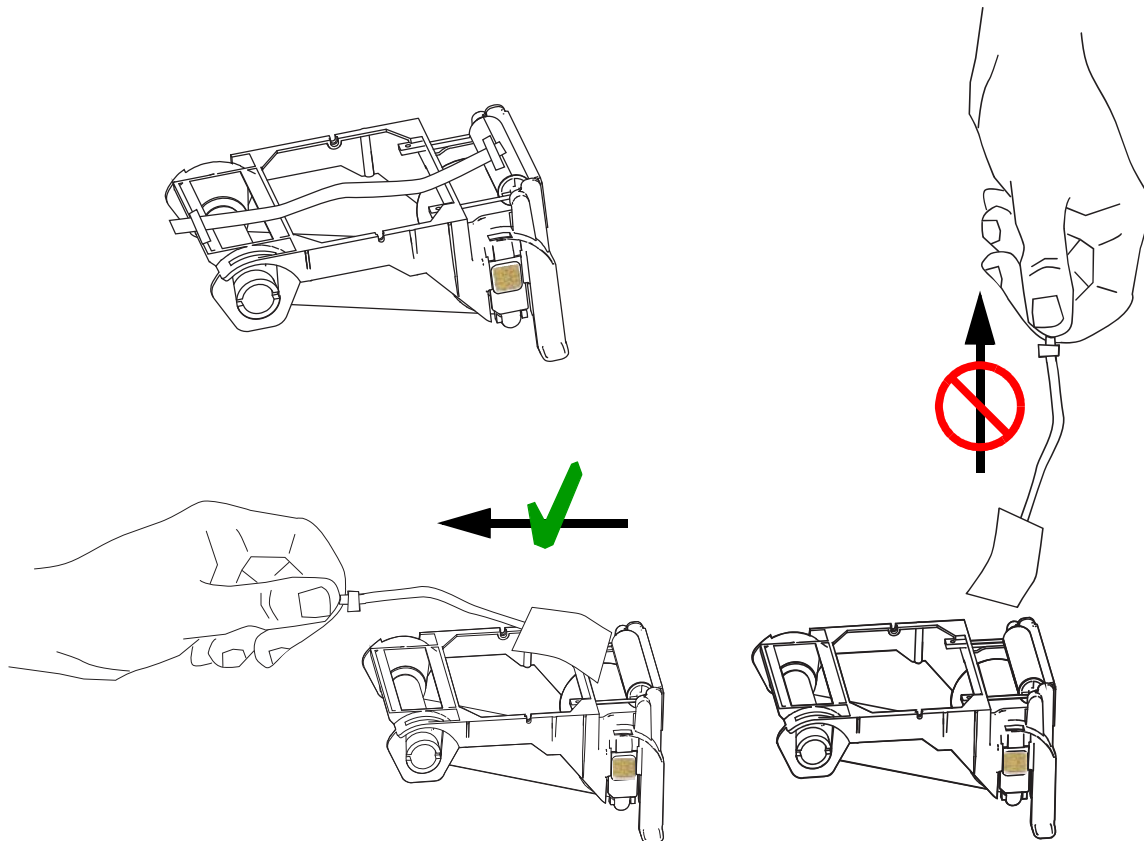
- Each ribbon cartridge includes an integrated adhesive cleaning roller assembly that is used to clean the cards entering the printer. Improper cleaning will reduce printer life and degrade print quality
- When the ribbon is completely used, change the cartridge assembly.



Electrostatic Discharge Caution • DO NOT TOUCH the printhead or the electronic components on the printhead. Discharge of electrostatic charge from the human body or other surfaces can damage the printhead or other electronic components

Step 1. Open printer lid by pressing the Cover Release button on the top of your printer.

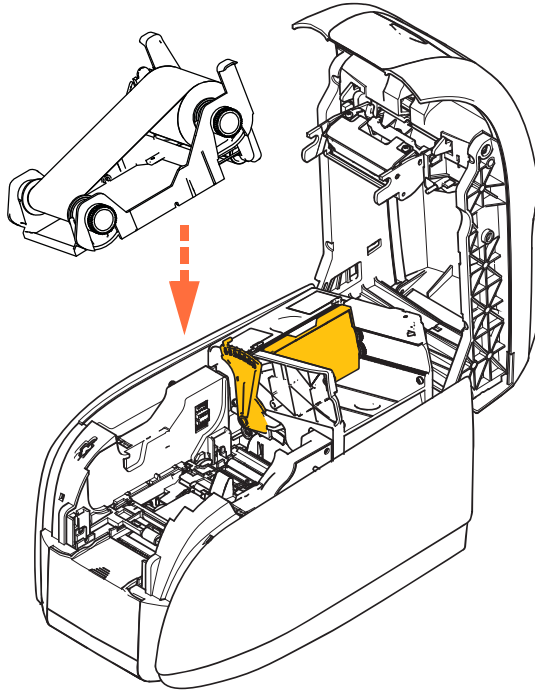
Step 2. Peel protective wrapper from the adhesive cleaning roller by gently pulling on the tape. Discard the protective wrapper.



2: Installation and Setup

Installing the Ribbon Cartridge

Step 3. Insert the ribbon cartridge with the cleaning roller facing down, so the gears on the ends of the rollers fit into the appropriate slots.



Step 4. Close the printer lid, and push down until you hear an audible click.



Note • After the lid is closed, the ribbon automatically synchronizes when the printer power is on.