

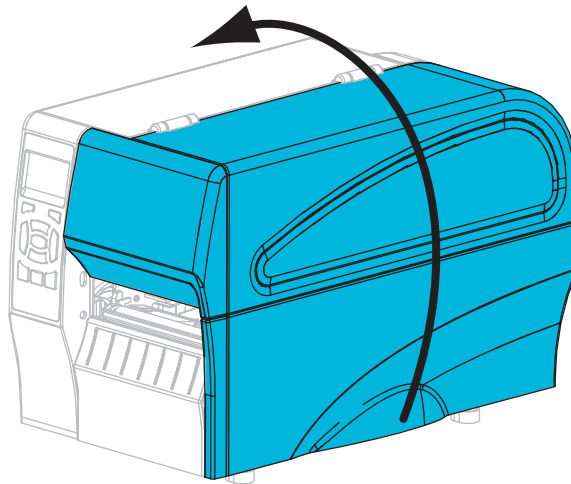
Load the Media

Use the instructions in this section for loading roll or fanfold media in any print mode.

Caution • While performing any tasks near an open printhead, remove all rings, watches, hanging necklaces, identification badges, or other metallic objects that could touch the printhead. You are not required to turn off the printer power when working near an open printhead, but Zebra recommends it as a precaution. If you turn off the power, you will lose all temporary settings, such as label formats, and you must reload them before you resume printing.

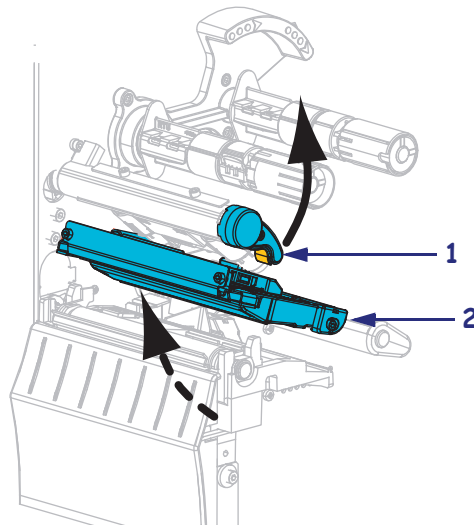
To load media, complete these steps:

1. Raise the media door.

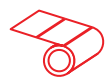


2. **Caution** • The printhead may be hot and could cause severe burns. Allow the printhead to cool.

Rotate the printhead-open lever (1) counterclockwise to release the printhead mechanism (2).

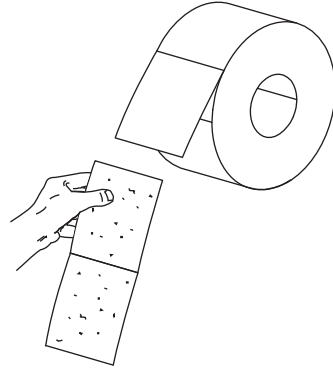


3. Insert media into the printer. Follow the instructions for roll or fanfold media, as appropriate.

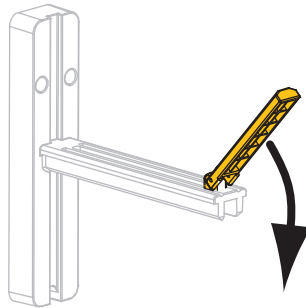


Roll Media

- a. Remove and discard any tags or labels that are dirty or that are held by adhesives or tape.

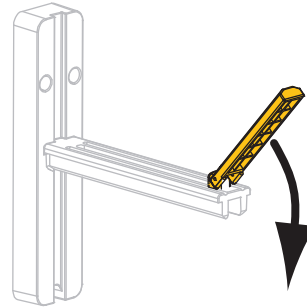


- b. Slide out and flip down the media supply guide.

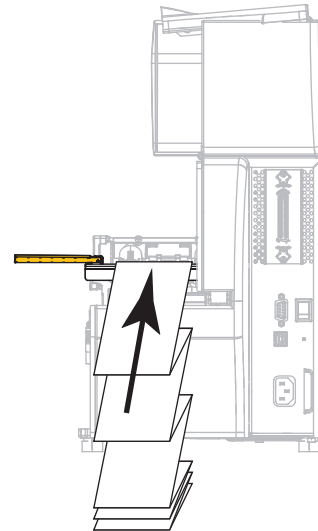


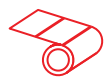
Fanfold Media

- a. Slide out and flip down the media supply guide.



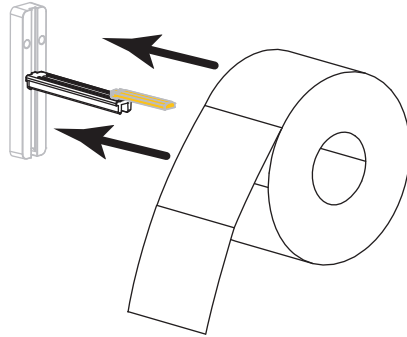
- b. Insert the fanfold media through the rear of the printer.



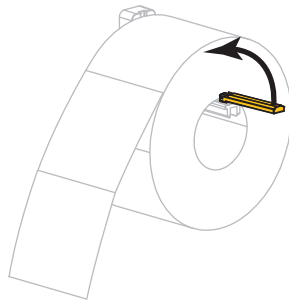


Roll Media (Continued)

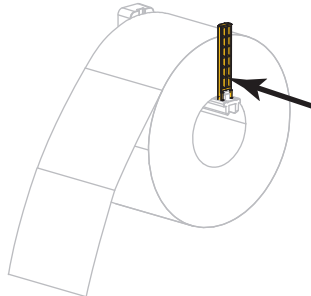
- c. Place the roll of media on the media supply hanger. Push the roll back as far as it will go.



- d. Flip up the media supply guide.

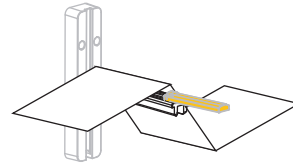


- e. Slide in the media supply guide until it touches the edge of the roll.

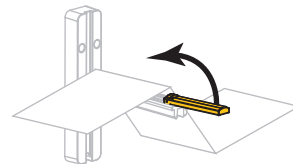


Fanfold Media (Continued)

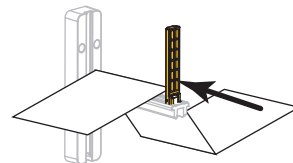
- c. Drape the media over the media supply hanger.



- d. Flip up the media supply guide.

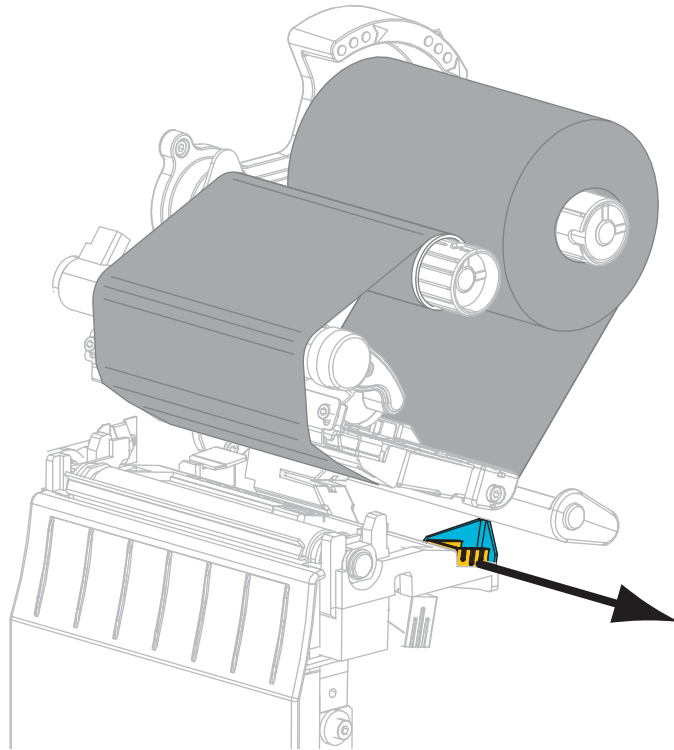


- e. Slide in the media supply guide until it touches the edge of the media.

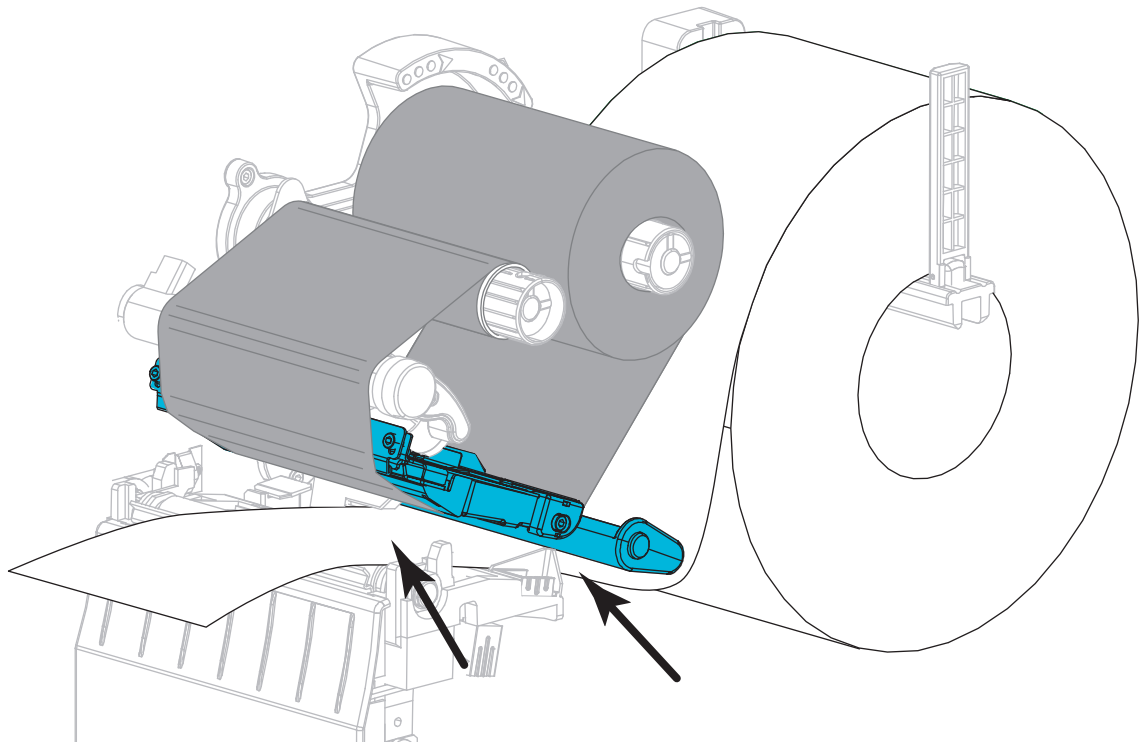


- f. Continue with the remaining steps as shown for roll media.

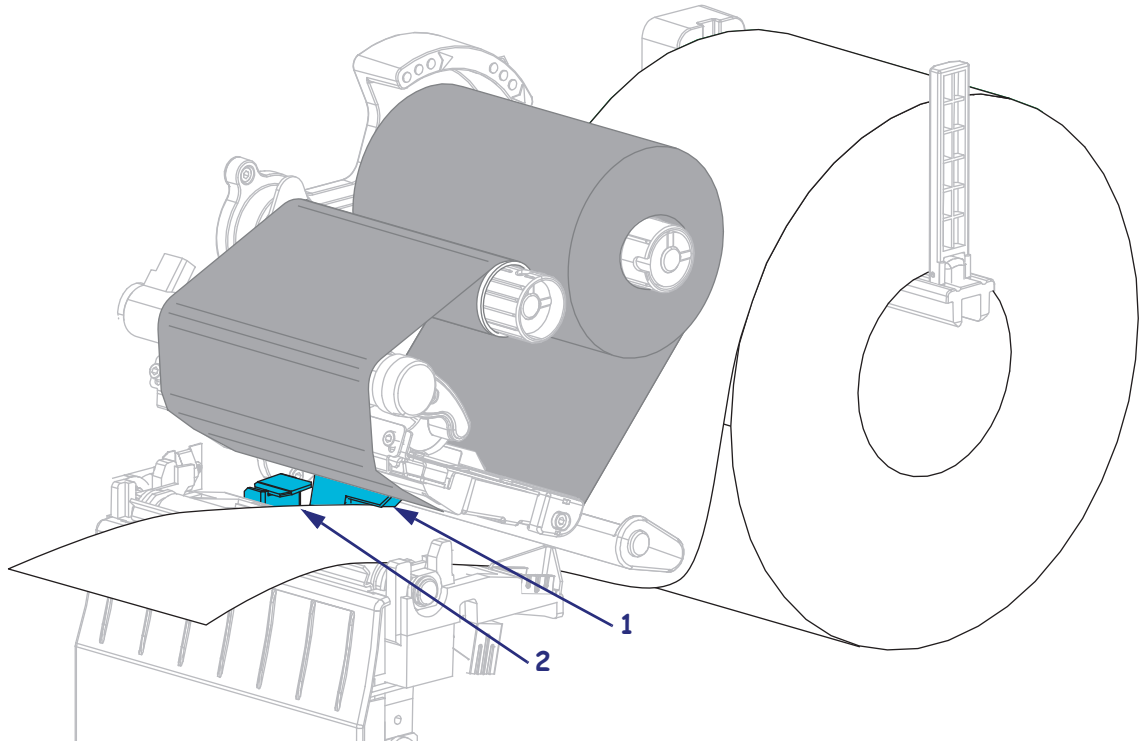
4. Slide the outer media guide all the way out.



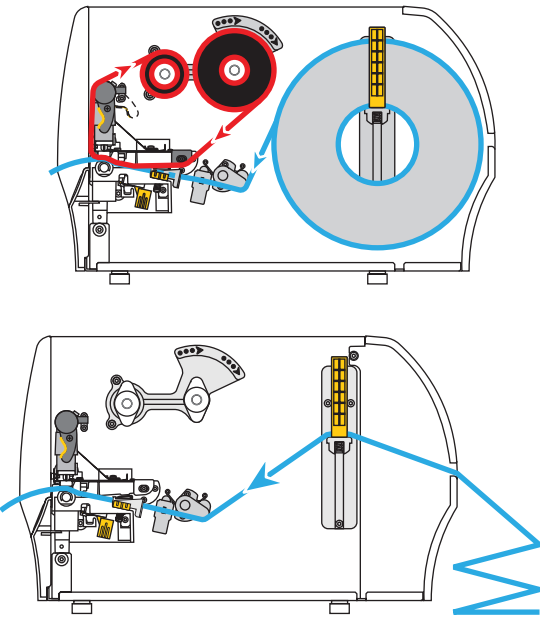
5. Slide the media under the media dancer assembly and the print mechanism. Allow the end of the media to extend out of the front of the printer.



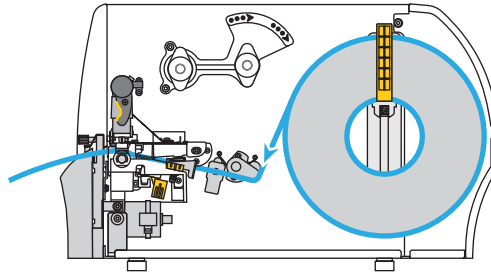
6. Make sure that the media passes through the slot in the transmissive media sensor (1) and under the inner media guide (2). The media should just touch the back of the transmissive media sensor slot.



7. In which print mode will your printer be operating? (For more information on print modes, see *Select a Print Mode* on page 52.)

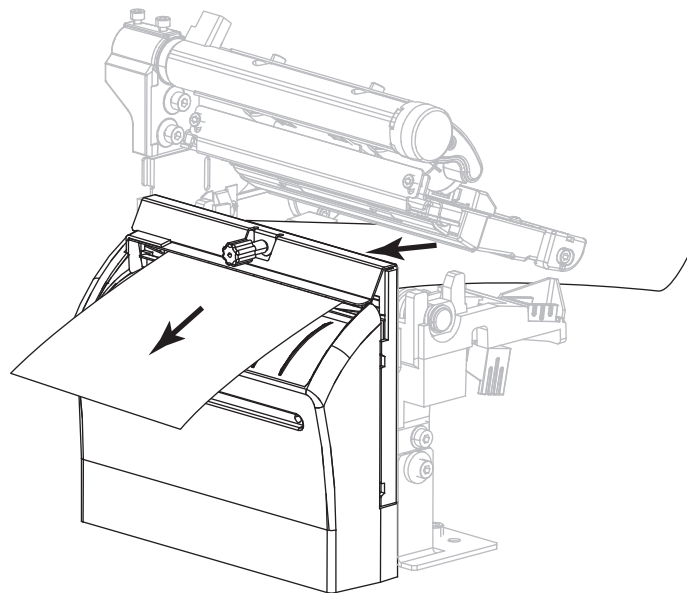
If using...	Then...
<p data-bbox="423 1228 609 1260">Tear-Off mode</p> 	<p data-bbox="998 1228 1339 1291">Continue with <i>Final Steps for Tear-Off Mode</i> on page 66.</p>

Final Steps for Cutter Mode

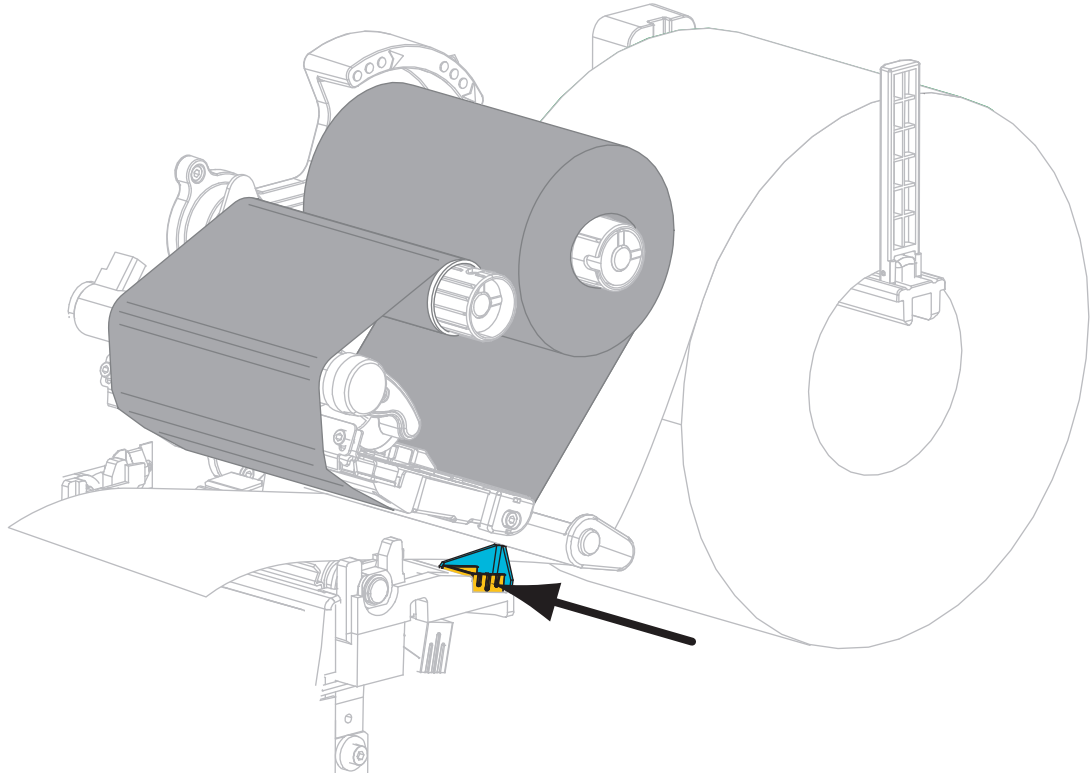


-
26. **Caution** • The cutter blade is sharp. Do not touch or rub the blade with your fingers.
-

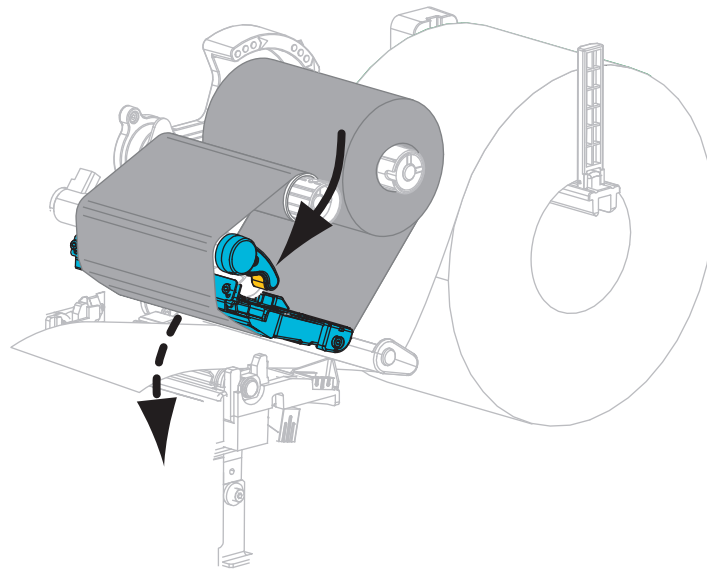
Feed the media through the cutter.



27. Slide in the outer media guide until it just touches the edge of the media.

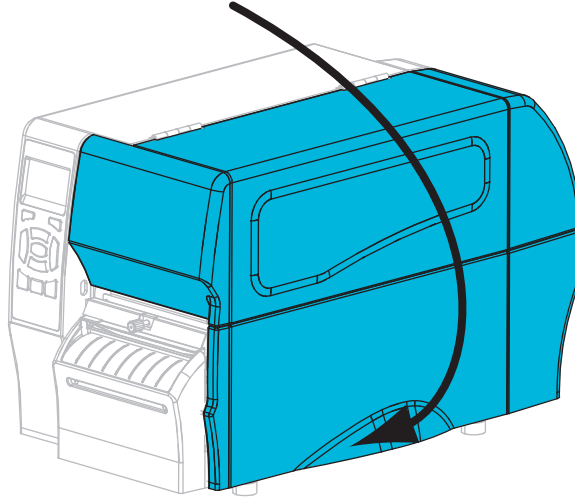


28. Rotate the printhead-open lever clockwise until it locks the printhead in place.



29. Set the printer to Cutter mode (for more information, see [Print Mode on page 81](#)).

30. Close the media door.



31. Press **PAUSE** to exit pause mode and enable printing.

The printer may perform a label calibration or feed a label, depending on your settings.

32. If desired, perform the *CANCEL Self Test* on page 142 to verify that your printer is able to print.

Media loading in Cutter mode is complete.

CANCEL Self Test

The CANCEL self test prints a printer configuration label and a network configuration label. For other ways to print these labels, see *Print Information on page 83*.

To perform the CANCEL Self Test, complete these steps:

1. Turn off (O) the printer.
2. Press and hold CANCEL while turning on (I) the printer. Hold CANCEL until the first control panel light turns off.

The printer prints a printer configuration label (Figure 15) and then a network configuration label (Figure 16).


Figure 15 • Sample Printer Configuration Label

PRINTER CONFIGURATION	
Zebra Technologies ZTC ZT230-203dpi CPCL XXXXXX-XX-XXXX	
10.....	LCD CONTRAST
+10.....	DARKNESS
2.0 IPS.....	PRINT SPEED
+000.....	TEAR OFF
TEAR OFF.....	PRINT MODE
GAP/NOTCH.....	MEDIA TYPE
REFLECTIVE.....	SENSOR SELECT
832.....	PRINT WIDTH
1422.....	LABEL LENGTH
	PRINT HEAD ID
39.0IN 989MM.....	MAXIMUM LENGTH
NOT CONNECTED.....	USB COMM.
BIDIRECTIONAL.....	PARALLEL COMM.
RS232.....	SERIAL COMM.
2400.....	BAUD
8 BITS.....	DATA BITS
NONE.....	PARITY
XON/XOFF.....	HOST HANDSHAKE
NONE.....	PROTOCOL
NORMAL MODE.....	COMMUNICATIONS
<~> 7EH.....	CONTROL PREFIX
<> 5EH.....	FORMAT PREFIX
<,> 2CH.....	DELIMITER CHAR
ZPL II.....	ZPL MODE
CALIBRATION.....	MEDIA POWER UP
CALIBRATION.....	HEAD CLOSE
DEFAULT.....	BACKFEED
+000.....	LABEL TOP
+0000.....	LEFT POSITION
DISABLED.....	REPRINT MODE
020.....	WEB SENSOR
024.....	MEDIA SENSOR
255.....	TAKE LABEL
027.....	MARK SENSOR
027.....	MARK MED SENSOR
102.....	TRANS GAIN
000.....	TRANS BASE
100.....	TRANS LED
050.....	MARK LED
DPCSWFXM.....	MODES ENABLED
	MODES DISABLED
832 8/MM FULL.....	RESOLUTION
V72.18.12P15107 <-	FIRMWARE
1.3.....	XML SCHEMA
6.4.1 255.....	HARDWARE ID
NONE.....	OPTION BOARD
12288k.....	R: RAM
65536k.....	E: ONBOARD FLASH
NONE.....	FORMAT CONVERT
FW VERSION.....	IDLE DISPLAY
07/20/12.....	RTC DATE
02:37.....	RTC TIME
DISABLED.....	ZBI
2.1.....	ZBI VERSION
READY.....	ZBI STATUS
15,110 IN.....	NONRESET CNTR
15,110 IN.....	RESET CNTR1
15,110 IN.....	RESET CNTR2
38,378 CM.....	NONRESET CNTR
38,378 CM.....	RESET CNTR1
38,378 CM.....	RESET CNTR2
FIRMWARE IN THIS PRINTER IS COPYRIGHTED	

Figure 16 • Sample Network Configuration Label

Network Configuration	
Zebra Technologies ZTC ZT230-203dpi CPCL XXXXXX-XX-XXXX	
PrintServer.....	LOAD LAN FROM?
INTERNAL WIRED.....	ACTIVE PRINTSRVR
Wired*	
ALL.....	IP PROTOCOL
010.003.005.104.....	IP ADDRESS
255.255.255.000.....	SUBNET
010.003.005.001.....	GATEWAY
010.003.001.098.....	WINS SERVER IP
YES.....	TIMEOUT CHECKING
300.....	TIMEOUT VALUE
000.....	ARP INTERVAL
9100.....	BASE RAW PORT
Wireless	
ALL.....	IP PROTOCOL
000.000.000.000.....	IP ADDRESS
255.255.255.000.....	SUBNET
000.000.000.000.....	GATEWAY
000.000.000.000.....	WINS SERVER IP
YES.....	TIMEOUT CHECKING
300.....	TIMEOUT VALUE
000.....	ARP INTERVAL
9100.....	BASE RAW PORT
NOT INSERTED.....	CARD INSERTED
H.....	CARD MFG ID
H.....	CARD PRODUCT ID
00:00:00:00:00:00.....	MAC ADDRESS
YES.....	DRIVER INSTALLED
INFRASTRUCTURE.....	OPERATING MODE
123456.....	ESSID
100.....	TX POWER
ALL.....	CURRENT TX RATE
OPEN.....	WEP TYPE
NONE.....	WLAN SECURITY
1.....	WEP INDEX
000.....	POOR SIGNAL
LONG.....	PREAMBLE
NO.....	ASSOCIATED
ON.....	PULSE ENABLED
15.....	PULSE RATE
OFF.....	INTL MODE
not available.....	REGION CODE
no region code.....	COUNTRY CODE
0x7FF.....	CHANNEL MASK
FIRMWARE IN THIS PRINTER IS COPYRIGHTED	

Table 7 • Print Settings (Continued)

Print Width	Specify the width of the labels being used. The default value is the maximum width for the printer, based on the printhead's DPI value.	
	 Note • Setting the width too narrow can result in portions of a label format not being printed on the media. Setting the width too wide wastes formatting memory and can cause the printer to print off of the label and onto the platen roller. This setting can affect the horizontal position of the label format if the image was inverted using the ^POI ZPL II command.	
	<i>Accepted values:</i>	0000 to 1248 dots
	<i>Related ZPL command(s):</i>	^PW
	<i>SGD command used:</i>	ezpl.print_width
	<i>Control panel menu item:</i>	PRINT WIDTH on page 21
<i>Printer web page:</i>	View and Modify Printer Settings > Media Setup > Print Width	
Print Mode	Select a print mode that is compatible with your printer options. For information about how the print mode selections work with different printer options, see Select a Print Mode on page 52 .	
	<i>Accepted values:</i>	<ul style="list-style-type: none"> • TEAR OFF • CUTTER • PEEL (use this value for peel-off or liner take-up printing)
	<i>Related ZPL command(s):</i>	^MM
	<i>SGD command used:</i>	media.printmode
	<i>Control panel menu item:</i>	PRINT MODE on page 21
	<i>Printer web page:</i>	View and Modify Printer Settings > General Setup > Print Mode
Label Left Position	If necessary, shift the print position horizontally on the label. Positive numbers move the left edge of the image toward the center of the label by the number of dots selected, while negative numbers move the left edge of the image toward the left edge of the label.	
	<i>Accepted values:</i>	-9999 to 9999
	<i>Related ZPL command(s):</i>	^LS
	<i>SGD command used:</i>	zpl.left_position
	<i>Control panel menu item:</i>	LEFT POSITION on page 21
	<i>Printer web page:</i>	View and Modify Printer Settings > Advanced Setup > Left Position

Select a Print Mode

Use a print mode that matches the media being used and the printer options available (Table 6).

Table 6 • Print Modes and Printer Options

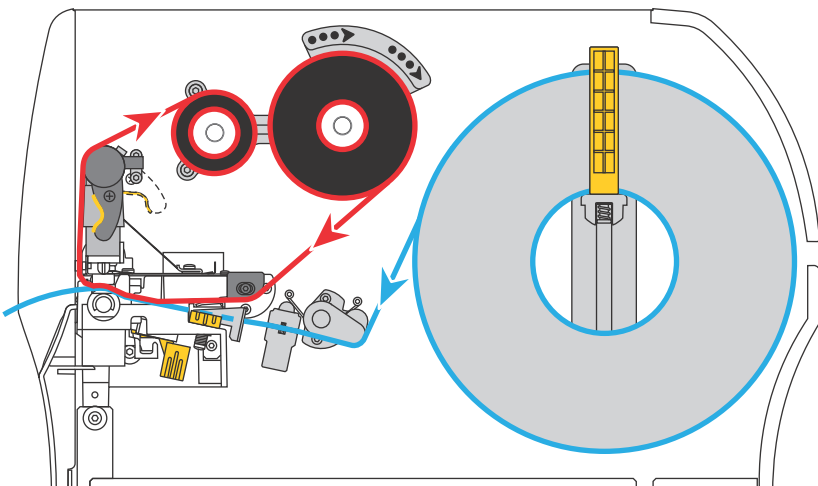
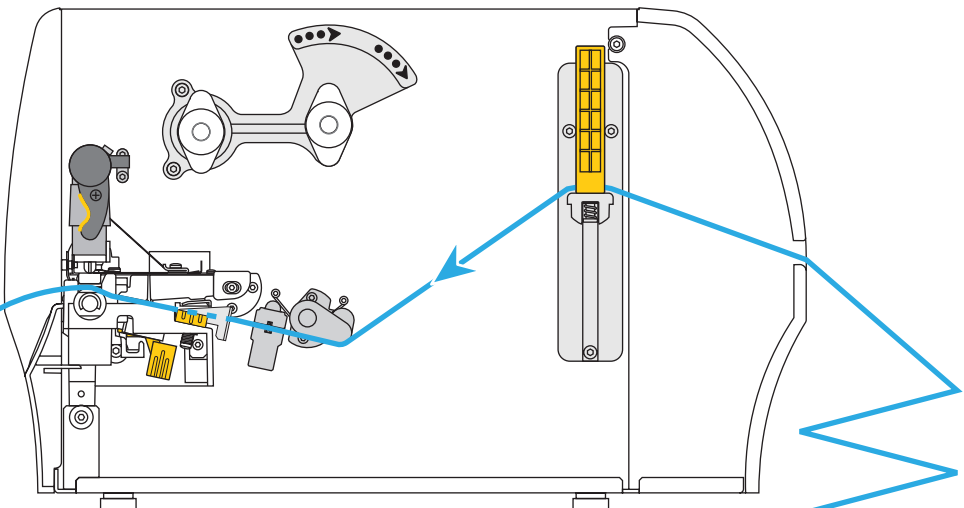
Print Mode	When to Use/Printer Options Required	Printer Actions
Tear-Off (default setting)	Use for most applications. This mode can be used with any printer options and most media types.	The printer prints label formats as it receives them. The printer operator can tear off the printed labels any time after they print.
<p style="text-align: center;">Roll media in Tear-Off mode (shown using thermal transfer media with ribbon loaded)</p>  <p style="text-align: center;">Fanfold media in Tear-Off mode (shown using direct thermal media and no ribbon)</p> 		

Table 6 • Print Modes and Printer Options

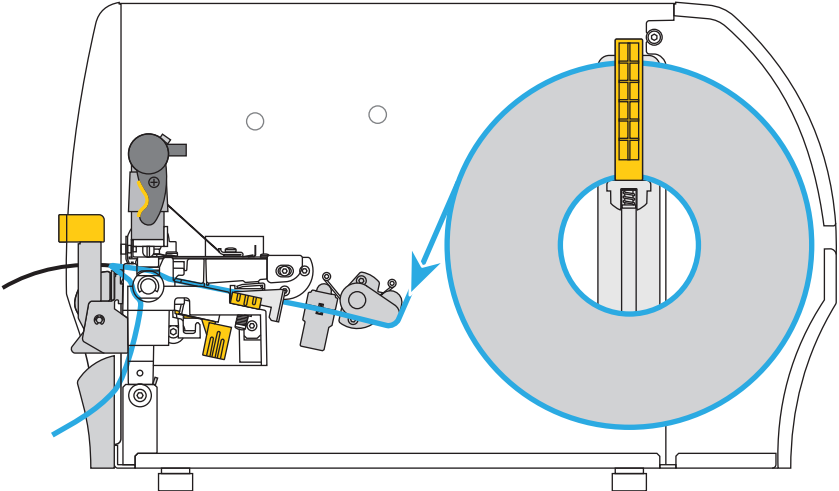
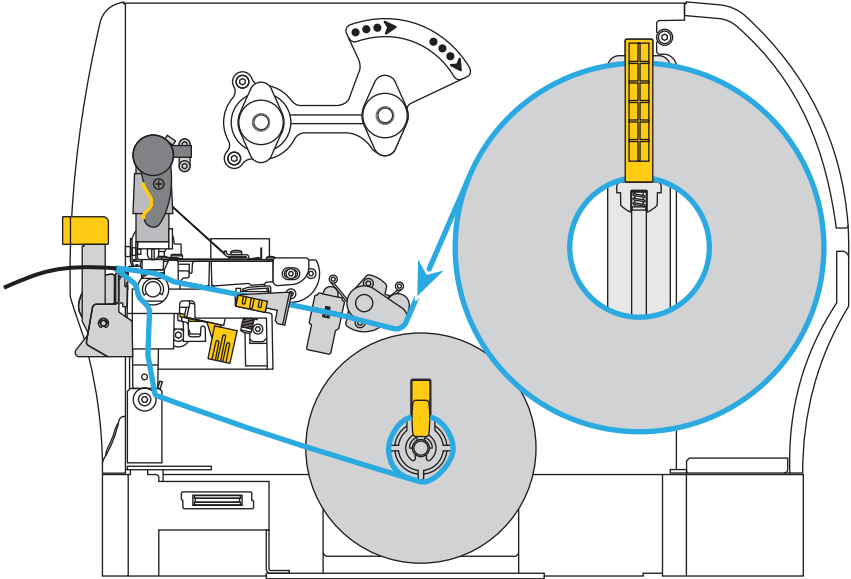
Print Mode	When to Use/Printer Options Required	Printer Actions
Peel-Off	<p>Use if the printer has the Peel-Off option or the Liner Take-Up option.*</p> <p>* The Liner Take-Up option is available only on the ZT230 printer.</p>	<p>The printer peels the label from the liner during printing and then pauses until the label is removed. The liner exits the front of the printer.</p> <ul style="list-style-type: none"> • In Peel-Off mode, the liner exits the front of the printer. • In Peel-Off mode with Liner Take-Up, the liner winds onto the liner take-up spindle or the rewind spindle.
<p style="text-align: center;">Peel-Off mode (shown without a ribbon system)</p>  <p style="text-align: center;">Peel-Off mode with Liner Take-Up* (shown using direct thermal media and no ribbon)</p> 		

Table 6 • Print Modes and Printer Options

Print Mode	When to Use/Printer Options Required	Printer Actions
Cutter	Use if the printer has a cutter option when you want the labels to be cut apart.	The printer prints a label and then cuts it free. <p style="text-align: center;">Cutter mode (shown using direct thermal media and no ribbon)</p> 