

## Load the Media

Use the instructions in this section for loading roll or fanfold media in the appropriate print mode for your needs.

---

**Caution** • While performing any tasks near an open printhead, remove all rings, watches, hanging necklaces, identification badges, or other metallic objects that could touch the printhead. You are not required to turn off the printer power when working near an open printhead, but Zebra recommends it as a precaution. If you turn off the power, you will lose all temporary settings, such as label formats, and you must reload them before you resume printing.

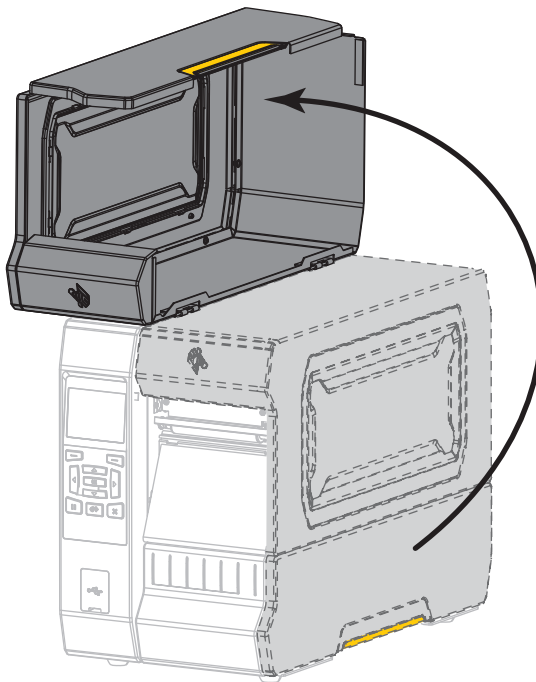
---

### Insert the Media into the Printer

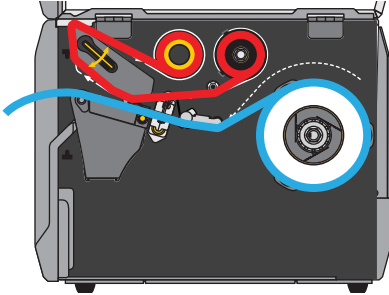
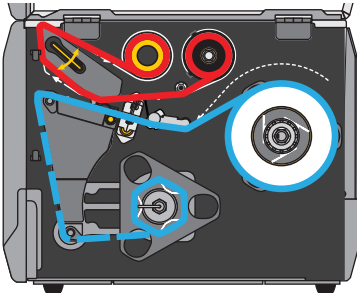
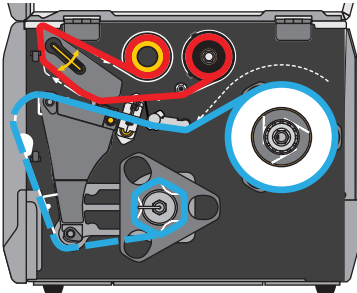
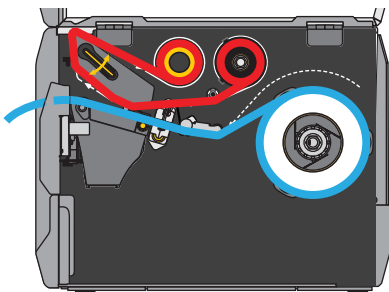
The majority of the illustrations in this section show roll media because the media loading path is the same for both roll and fanfold media.

#### To load media, complete these steps:

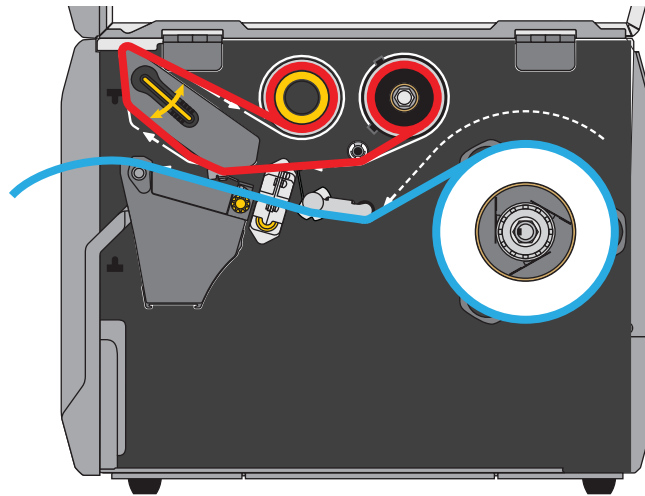
1. Raise the media door.



4. In which print mode will your printer be operating? (For more information on print modes, see *Select a Print Mode* on page 31.)

If using...	Then...
<p><b>TEAR - OFF</b></p> 	<p>Continue with <i>Tear-Off Mode</i> on page 35.</p>
<p><b>PEEL - OFF</b> or <b>APPLICATOR</b></p> 	<p>Continue with <i>Peel-Off Mode</i> or <i>Applicator Mode</i> on page 39.</p>
<p><b>REWIND</b></p> 	<p>Continue with <i>Rewind Mode</i> on page 46.</p>
<p><b>CUTTER</b> or <b>DELAYED CUT</b></p> 	<p>Continue with <i>Cutter Mode</i> or <i>Delayed Cut Mode</i> on page 53.</p>

## Tear-Off Mode

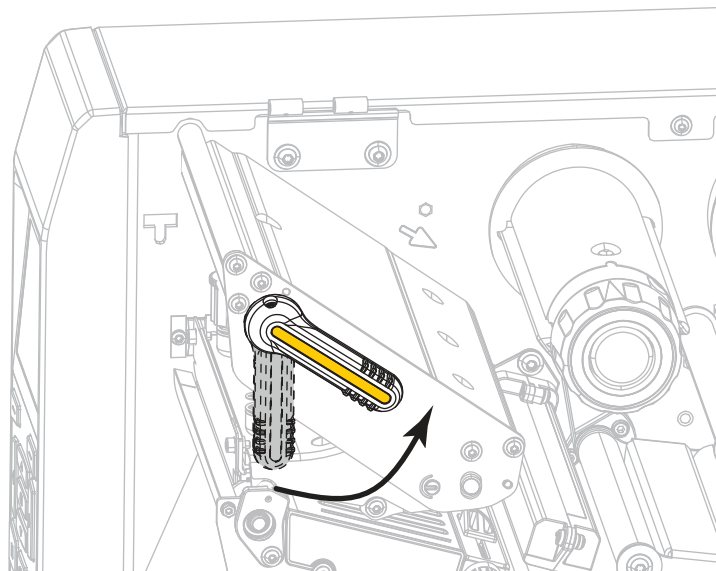


1. If you have not already done so, follow the instructions in the section *Insert the Media into the Printer* on page 32.

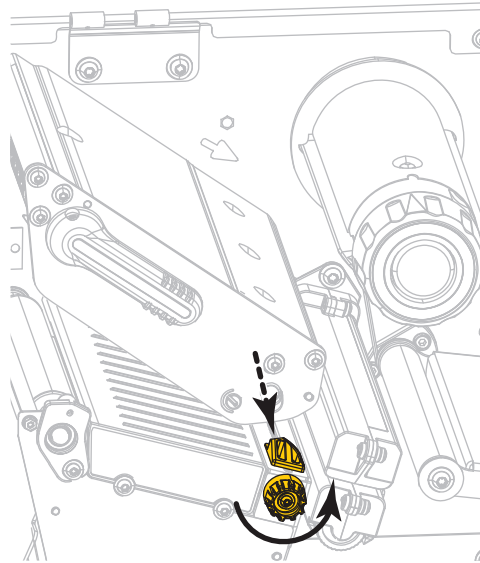


2. **Caution** • The printhead may be hot and could cause severe burns. Allow the printhead to cool.

Open the printhead assembly by rotating the printhead-open lever upward.

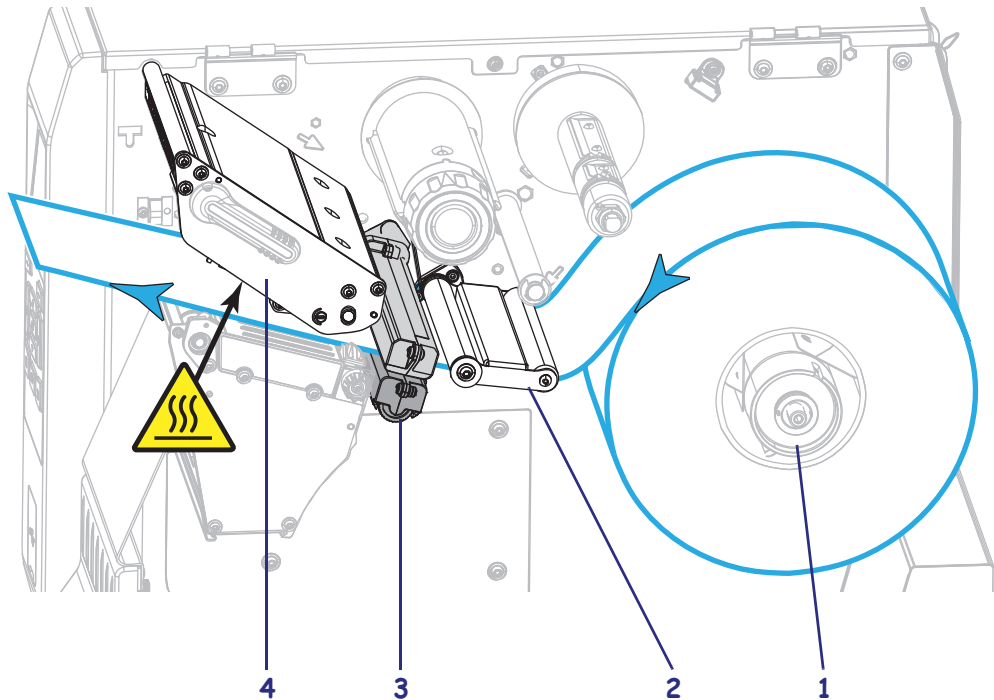


3. Rotate the media guide adjustment knob as shown until the media guide slides all the way out.

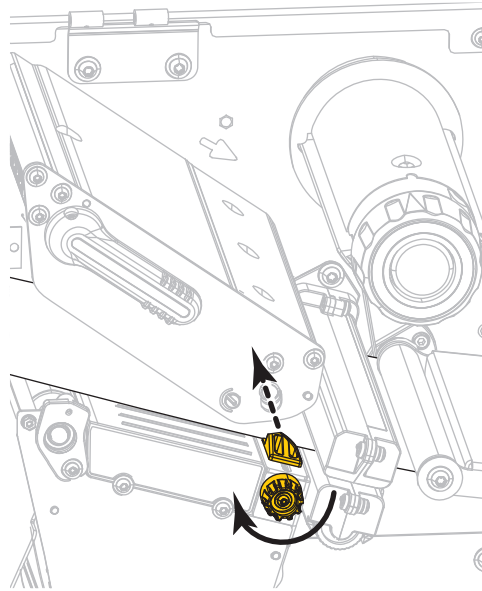


4. **Caution** • The printhead may be hot and could cause severe burns. Allow the printhead to cool.

From the media spindle (1), feed the media under the dancer assembly (2), through the media sensor (3), and under the printhead assembly (4). Slide the media back until it touches the inside back wall of the media sensor.



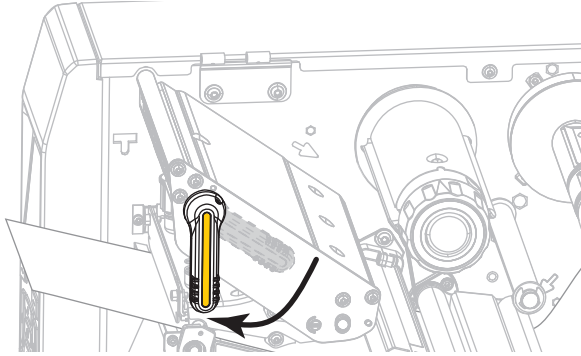
5. Rotate the media guide adjustment knob as shown until the media guide just touches the edge of the media.



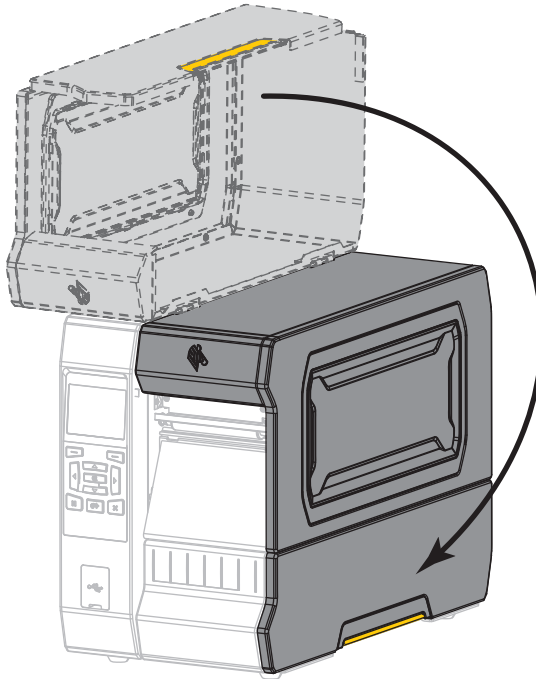
6. Does the media that you are using require ribbon for printing? If you are not sure, see *When to Use Ribbon* on page 24.

If using...	Then...
Direct Thermal media (no ribbon needed)	Continue with <a href="#">step 7</a> .
Thermal Transfer media (ribbon needed)	<ol style="list-style-type: none"> <li>If you have not already done so, load ribbon in the printer. See <i>Load the Ribbon</i> on page 58.</li> <li>Continue with <a href="#">step 7</a>.</li> </ol>

7. Rotate the printhead-open lever downward until it locks the printhead in place.



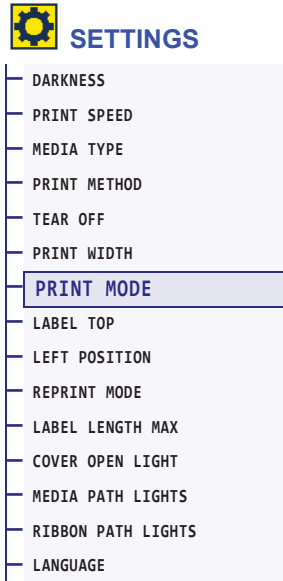
8. Close the media door.



9. Set the printer to the appropriate print mode (see *PRINT MODE* on page 110).
10. Press PAUSE to exit pause mode and enable printing.  
The printer may perform a label calibration or feed a label, depending on your settings.
11. For best results, calibrate the printer. See *Calibrate the Ribbon and Media Sensors* on page 191.
12. If desired, print a configuration or other label to verify that your printer is able to print. (See *PRINT INFORMATION* on page 119.)

**Media loading in Tear-Off mode is complete.**

## SETTINGS > PRINT MODE



Select a print mode that is compatible with your printer options. For information about how the print mode selections work with different printer options, see [Select a Print Mode](#) on page 31.

<i>Accepted values:</i>	<ul style="list-style-type: none"> <li>• <b>TEAR OFF</b></li> <li>• PEEL-OFF</li> <li>• REWIND</li> <li>• CUTTER</li> <li>• DELAYED CUT</li> <li>• LINERLESS PEEL</li> <li>• LINERLESS REWIND</li> <li>• LINERLESS TEAR</li> <li>• APPLICATOR</li> </ul>
<i>Related ZPL command(s):</i>	^MM
<i>SGD command used:</i>	media.printmode
<i>Printer web page:</i>	View and Modify Printer Settings > General Setup > Print Mode