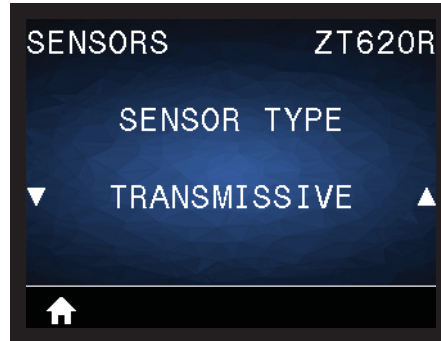
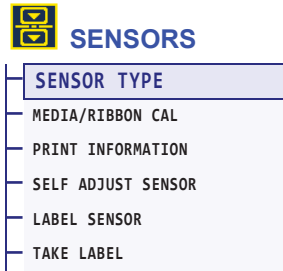


SENSORS > SENSOR TYPE



Select the media sensor that is appropriate for the media that you are using. The reflective sensor typically is used only for black mark media. The transmissive sensor typically is used for other media types.

<i>Accepted values:</i>	<ul style="list-style-type: none"> • TRANSMISSIVE • REFLECTIVE
<i>Related ZPL command(s):</i>	^JS
<i>SGD command used:</i>	device.sensor_select
<i>Printer web page:</i>	View and Modify Printer Settings > Media Setup

Note: The Black Mark Sensor is located on the inner side of the media path and is not adjustable.

- Black mark width (perpendicular to inside media edge) > 0.43 in. (> 11 mm) -
- Black mark location within 0.040 in. (1 mm) of inside media edge
- Black mark length (parallel to inside media edge) 0.12 to 0.43 in. (3 to 11 mm)

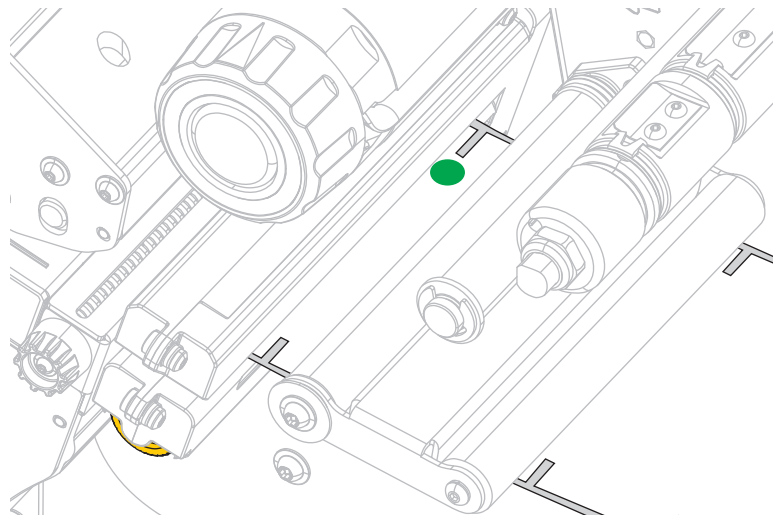
Adjust the Sensor Position

The transmissive media sensor assembly consists of two parts: a light source and a light sensor. The lower part of the media sensor is the light source, and the upper part of the media sensor is the light sensor. The media passes between the two parts.

Adjust the position of the sensor only if the printer cannot detect the top of the labels. In this situation, the display shows a media out error even though there is media loaded in the printer. For non-continuous media with a notch or hole, the sensor must be positioned directly at the notch or hole.

To adjust the transmissive media sensor position, complete these steps:

1. Remove the ribbon so you can clearly see the media path.
2. With media loaded, locate the green light that shines from the lower part of the media sensor.



3. If necessary, turn the gold transmissive sensor adjustment wheel to move the sensor until it is positioned at a notch or hole in the media.

