

Clean the Cutter Module

If the cutter is not cutting the labels cleanly or if it jams with labels, clean the cutter blades.



Caution • For personnel safety, always power off and unplug the printer before performing this procedure.

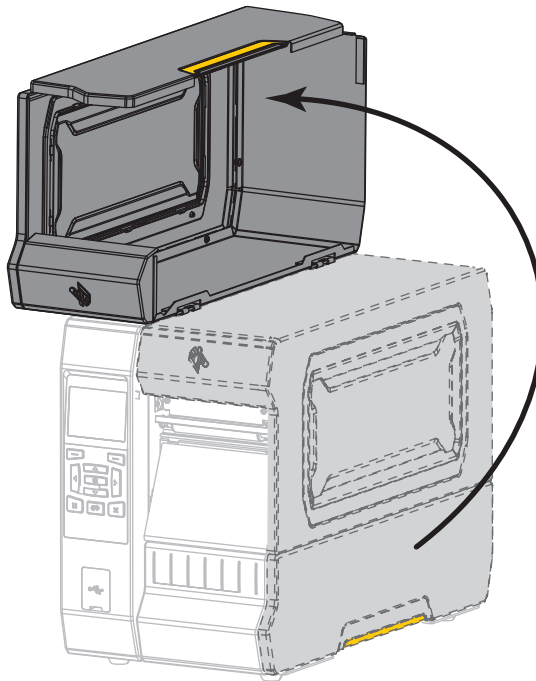
To clean the cutter module, complete these steps:



1. **Caution** • Turn off (O) the printer and disconnect it from the power source before performing the following procedure.
-

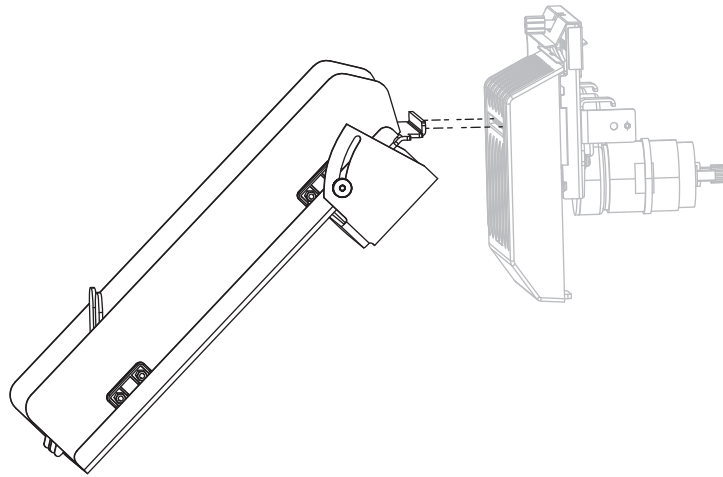
Turn off (O) the printer and disconnect the AC power cord.

2. Raise the media door.

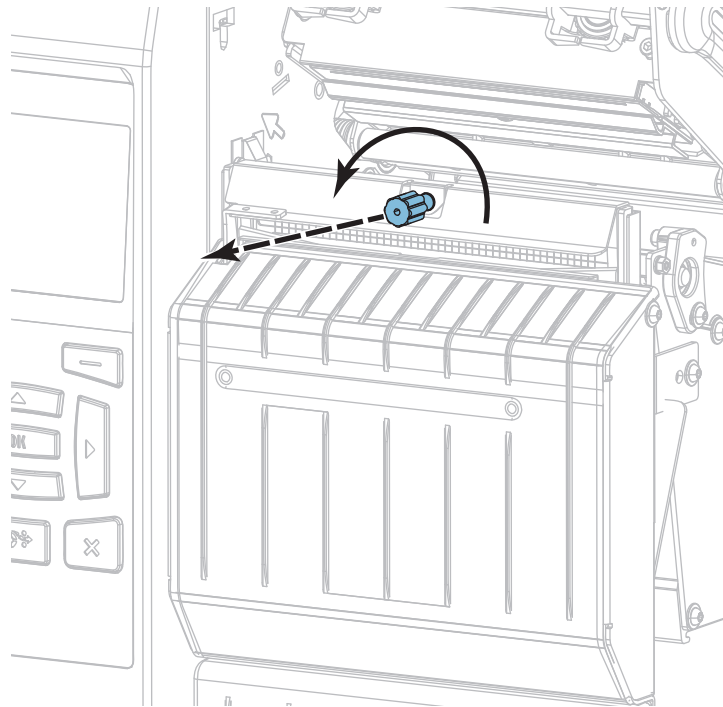


3. Remove the media from the cutter module.

4. Remove the cutter catch tray (if used).



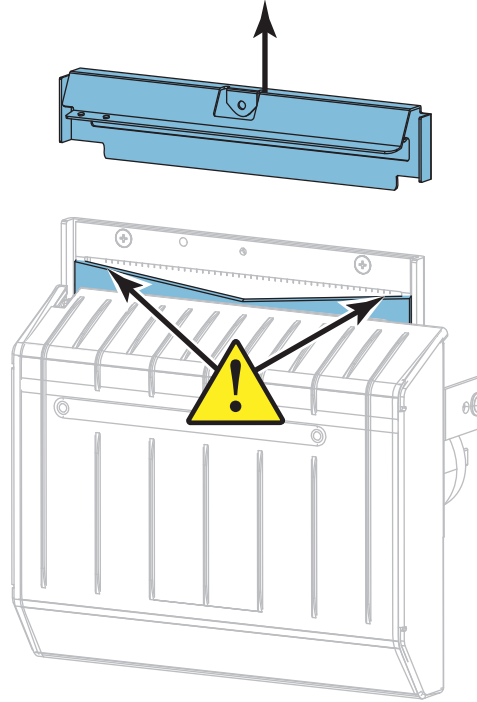
5. Loosen and remove the thumbscrew and lock washer on the cutter shield.





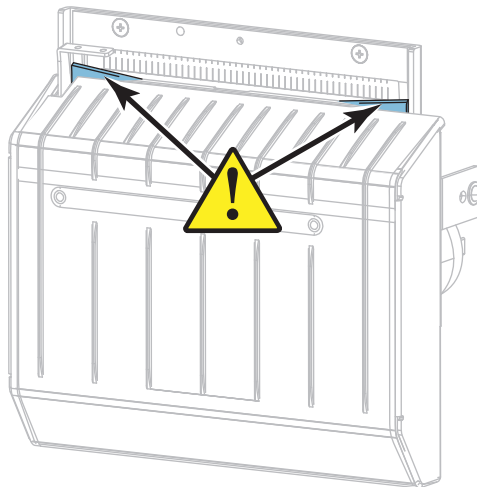
6. **Caution** • The cutter blade is sharp. Do not touch or rub the blade with your fingers.

Remove the cutter shield.

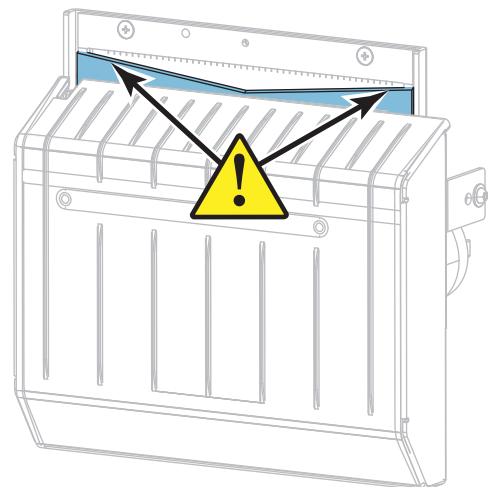


7. Is the cutter blade fully exposed?

Blade in lowered position



Blade fully exposed

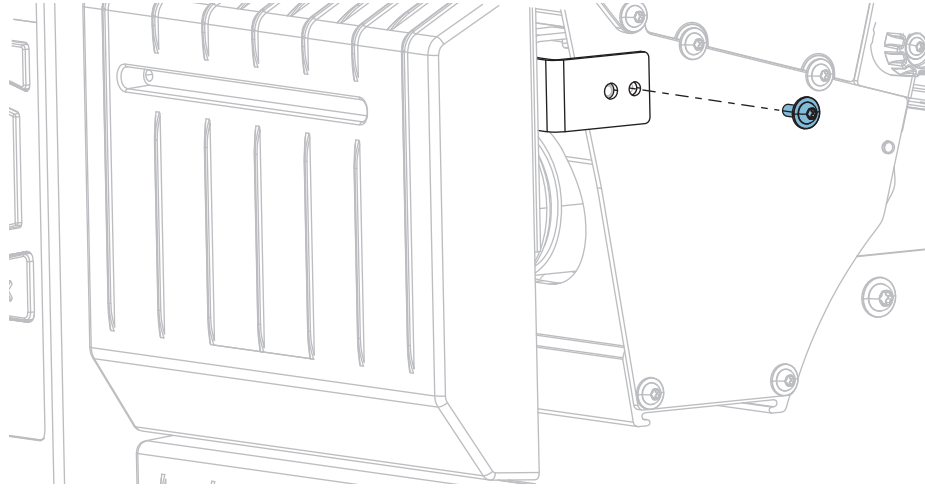


If the blade is...	Then... (d1_CellHead_Left)
Lowered	Continue with step 8 to remove the cutter module from the printer so that you can rotate the blade upward.
Fully exposed	Skip to step 9 on page 223.

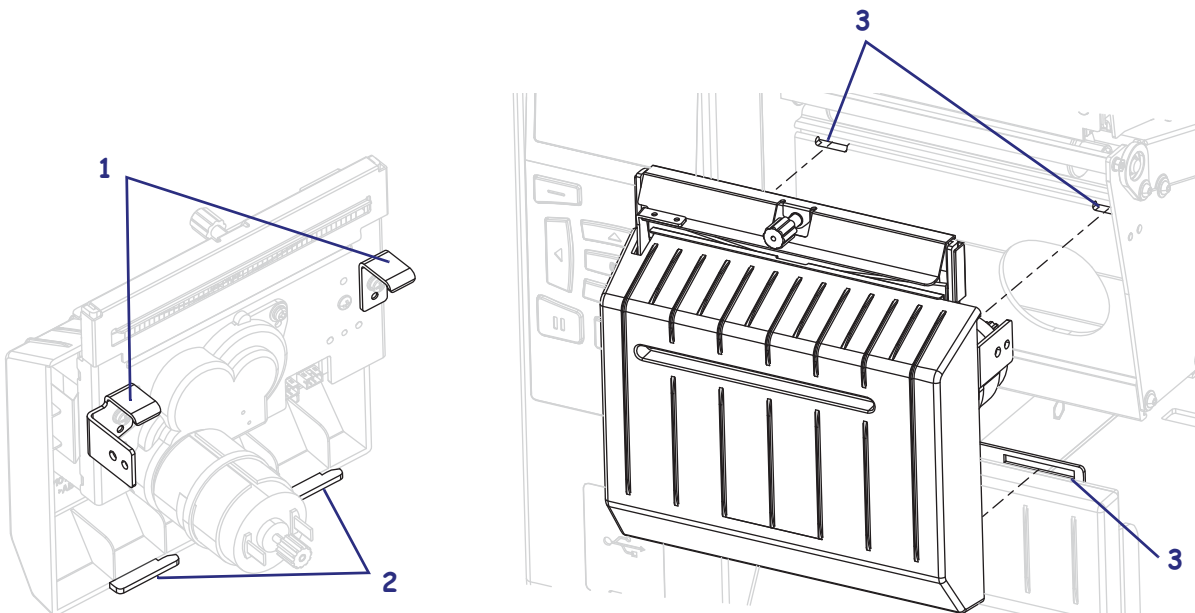


8. **Important** • This part of the procedure should be performed only by experienced users and only when the cutter blade is not fully exposed for cleaning, as shown in the previous step.

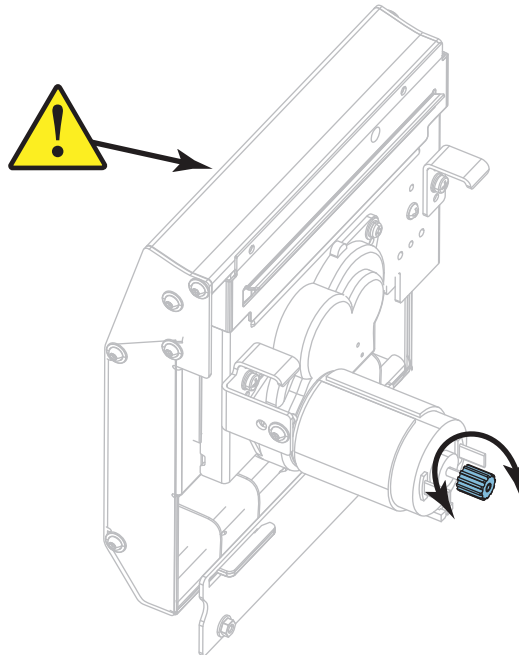
- 8-a. Remove the cutter mounting screw.



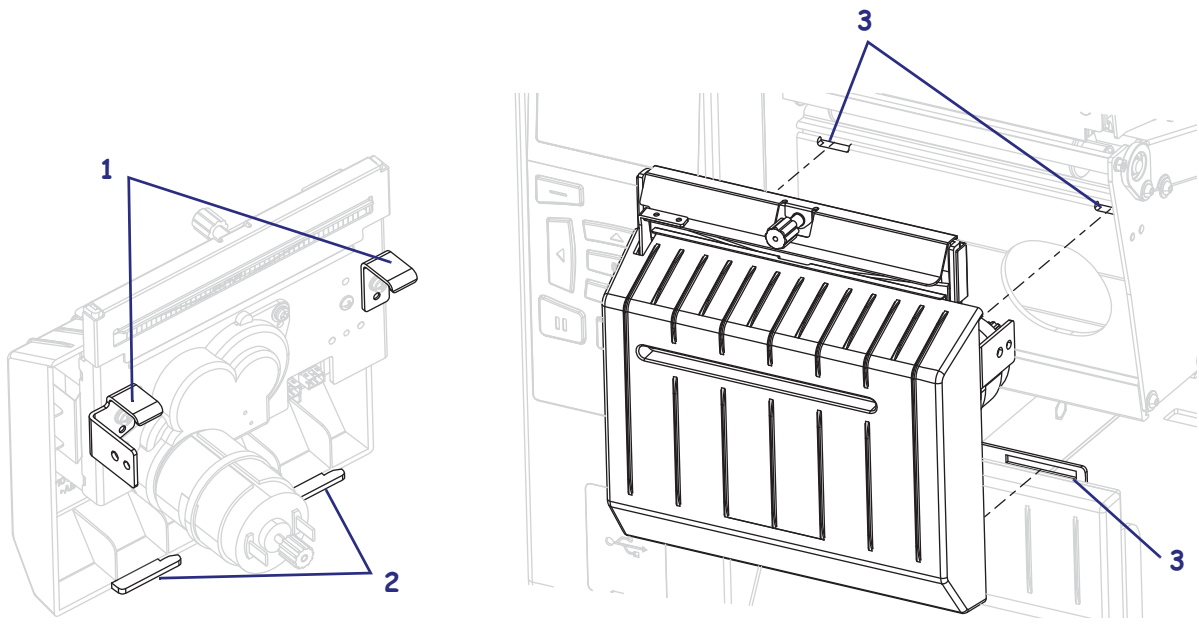
- 8-b. Slide the cutter module to the right to align the cutter assembly tabs (1) and cutter cover tabs (2) with the corresponding slots (3) in the printer, and then lift the cutter module out of the printer. Take care not to damage the wires that connect the cutter module to the printer. If desired, you may disconnect these wires.



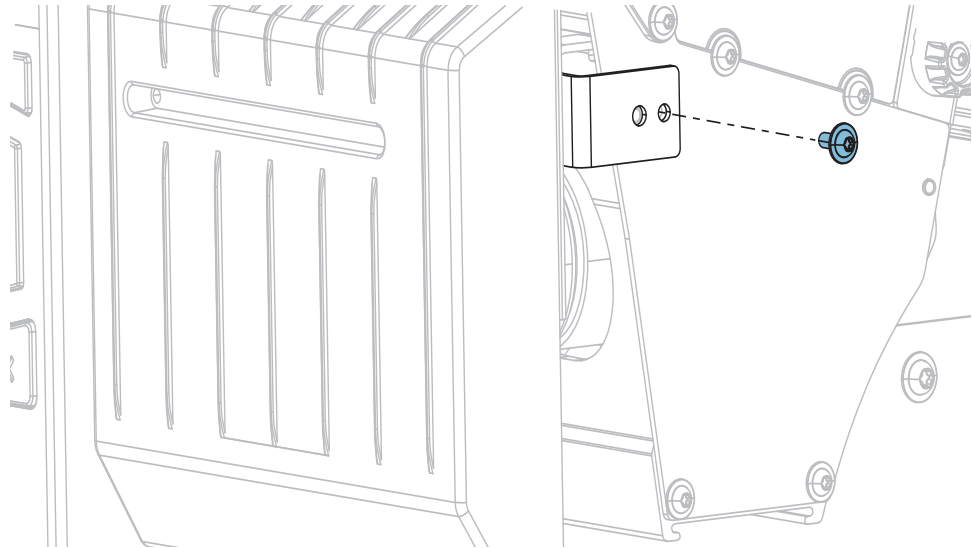
- 8-c.** On the back of the cutter module, rotate the cutter motor thumbscrew to fully expose the cutter blade.



- 8-d.** If you disconnected the wires that connect the cutter module to the printer, reconnect them.
- 8-e.** Align the cutter assembly tabs **(1)** and cutter cover tabs **(2)** with the corresponding slots **(3)** in the printer, and then slide the cutter assembly back into the printer. Take care not to damage the wires that connect the cutter module to the printer.

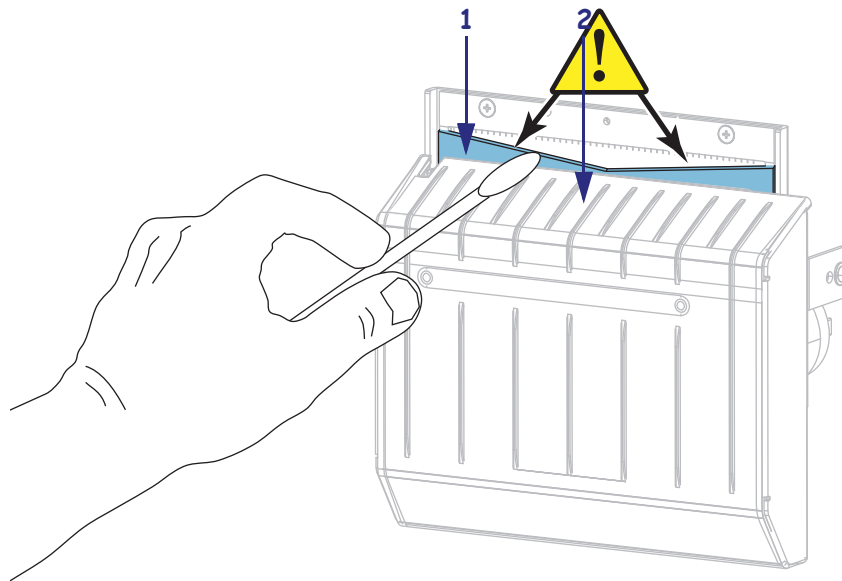


- 8-f.** Slide the cutter module to the left, and then reinstall the cutter mounting screw.



- 8-g.** Continue with [step 9](#).

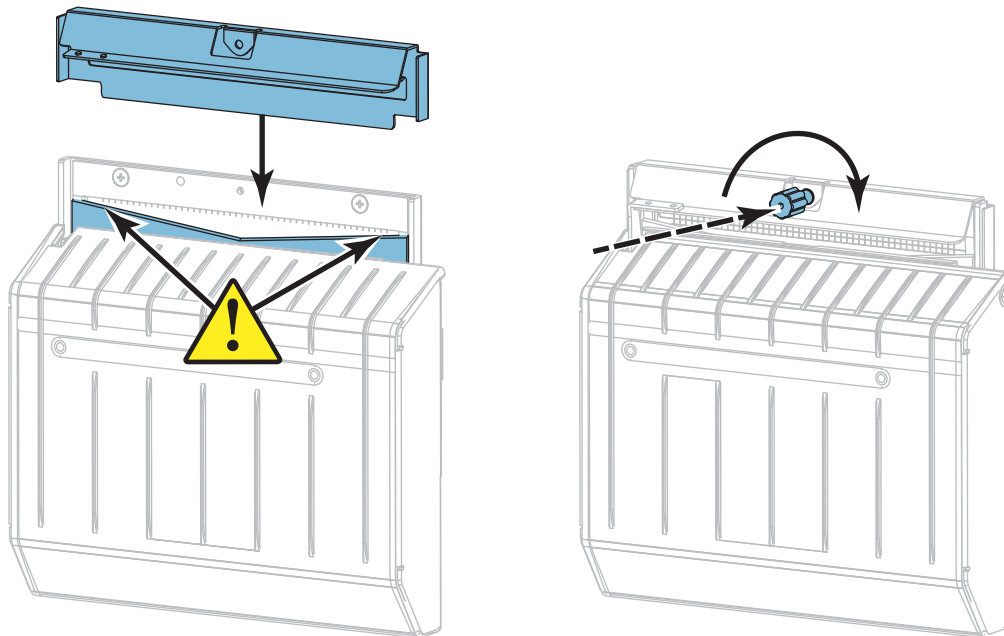
- 9.** Using the swab from the Preventive Maintenance Kit (part number 47362), wipe along the upper cutting surface (**1**) and the cutter blade (**2**). In place of the Preventive Maintenance Kit, you may use a clean swab dipped in 99.7% isopropyl alcohol. Allow the solvent to evaporate.



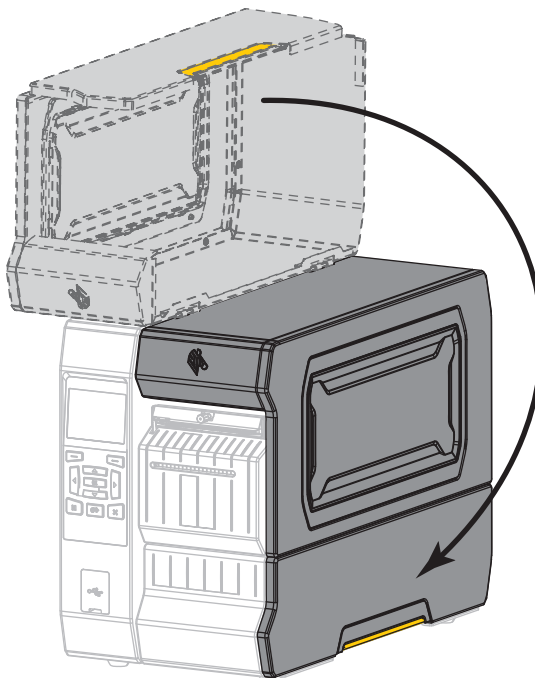


10. **Caution** • The cutter blade is sharp. For operator safety, replace the cutter shield.

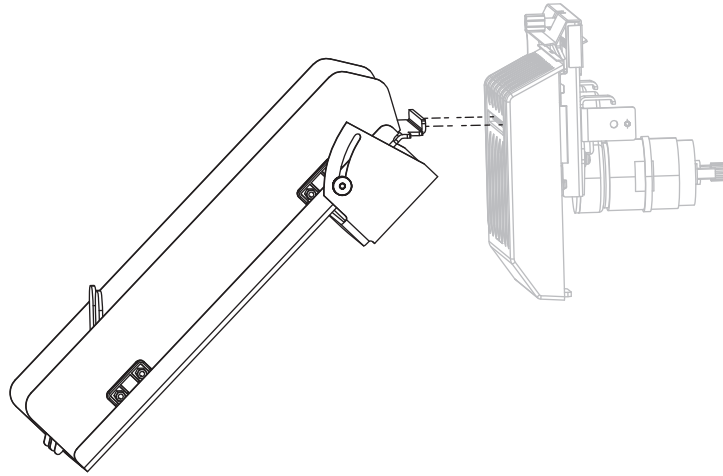
Replace the cutter shield and secure it with the thumbscrew and lock washer that you removed earlier.



11. Reinstall the media.
12. Close the media door.



13. Plug the printer into its power source, and then turn on (I) the printer.
The cutter blade returns to its operating position.
14. Reinstall the cutter catch tray (if used).



15. If the cutter continues to perform unsatisfactorily, contact an authorized service technician.