

Loading Roll Media

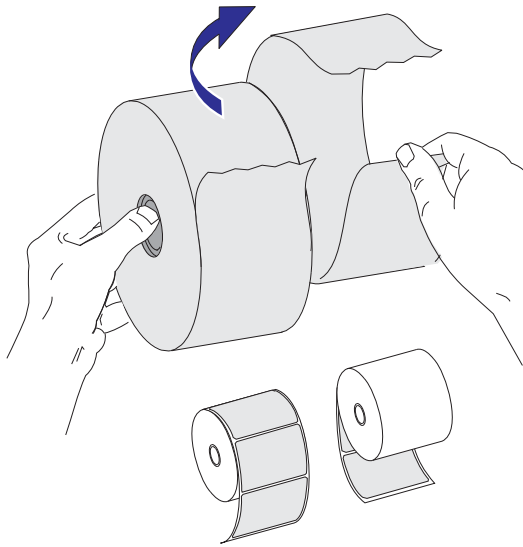
When you load media, you must place the roll on the media hangers.

You must use the correct media for the type of printing you require. You must use direct thermal media.

Preparing Media

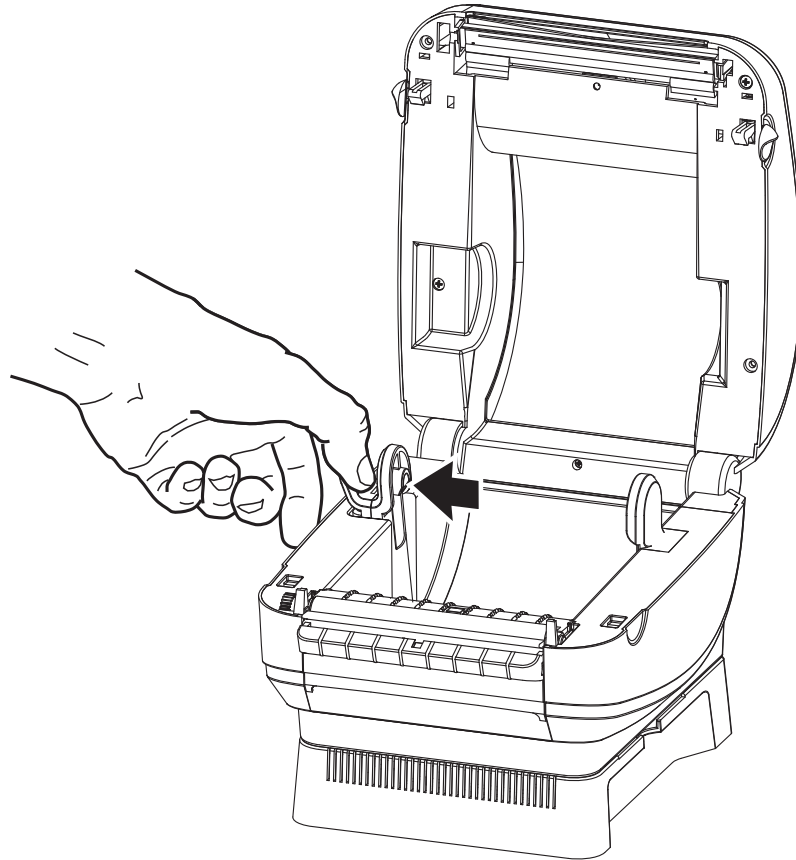
Whether your roll media is inside or outside wound you load it into the printer the same way.

- Remove the outside length of media. During shipment, the roll may become dirty when handled or dusty when stored. Removing the outside length avoids dragging adhesive or dirty media between the printhead and platen.



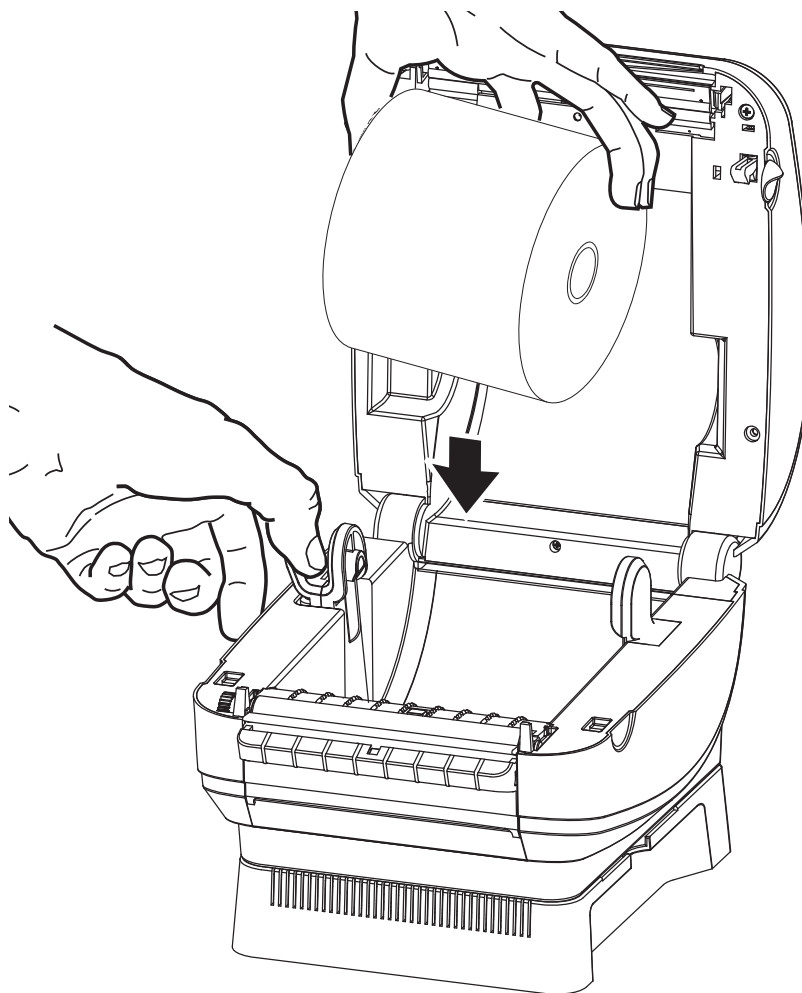
Placing the Roll in the Media Compartment

1. Open the printer. Remember that you need to pull the release levers toward the front of the printer.
2. Pull the left media hanger to the side.



3. Orient the media roll so that its printing surface will be up as it passes over the platen.

4. Lower the roll between the hangers and release the left hanger onto the core.



5. Verify the core rests on the hangers and the roll turns freely. The roll must not sit in the bottom of the media compartment.

