



Internal ZebraNet™ 10/100 Print Server Kit for 105SL and XiIIIPlus Printers

Installation Instructions

Prepare for Installation

This kit provides instructions for installing the internal 10/100 Print Server (10/100 PS) option kit on the 105SL™ and XiIIIPlus™ printers. Read these instructions thoroughly prior to kit installation.



Caution • A qualified service technician must perform this installation.

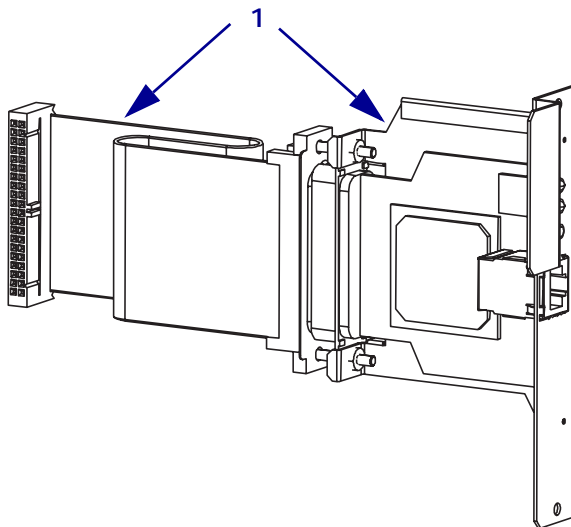
Parts List

Table 1 • Kit Parts List

✓	Item	Qty	Part Number	Description
	Ref	1	G47480	Print Server 100T Base Kit
	1	1	<i>47670</i>	10/100 Internal Print Server Assembly

Bold = Part available for purchase.
Italic = Part not available for purchase, listed and shown for reference only.

Figure 1 • Kit Contents



Reference Materials

- 105SL User CD
- 105SL User Guide
- 105SL Quick Reference Guide
- 105SL Maintenance Manual
- Xi Series User CD
- XiIIIPlus User Guide
- XiIIIPlus Quick Reference Guide
- XiIIIPlus Maintenance Manual
- 110XiIIIPlus Maintenance Manual

Tools Required



Tools • You need these tools to complete this procedure:

- Phillips Screwdriver Set
- Anti-Static Wriststrap and Mat
- Standard Hex Key (Allen Wrench) Set

Before You Begin



Important • Before you install the internal 10/100 PS, you might need to upgrade your printer firmware.

To upgrade your printer firmware, complete these steps:

1. If your printer has x.12 firmware, you **must** upgrade your printer firmware to version 60.13.x or higher.
2. To upgrade your firmware, visit the Zebra web site at www.zebra.com/firmware.
3. To confirm the upgrade was successful:
 - If your printer has an LCD, look at the lower right-hand corner and confirm the version of firmware on your printer.
 - If your printer does not have an LCD, print out a configuration label to see the version of firmware on your printer.

Installation Instructions



Note • Retain all parts removed during disassembly, unless otherwise directed.

To install an internal 10/100 PS, complete these steps:



1. **Caution** • Observe proper electrostatic safety precautions when handling static-sensitive components such as circuit boards and printheads.

Connect yourself to an antistatic device.



2. **Caution** • Turn Off (O) the printer and disconnect it from the power source before performing the following procedure.

Turn Off (O) the printer and disconnect the AC power cord and all data cables.

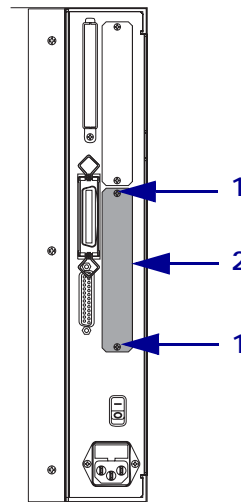
3. See [Figure 2](#). On the back of the printer, remove the two cover plate mounting screws and the cover plate (shaded).

Discard the cover plate but retain the screws for use later in this procedure.



Note • The parallel port on the back of the printer is not operational when the internal 10/100 PS is installed. The hardware of the 10/100 PS mounting bracket covers the parallel port.

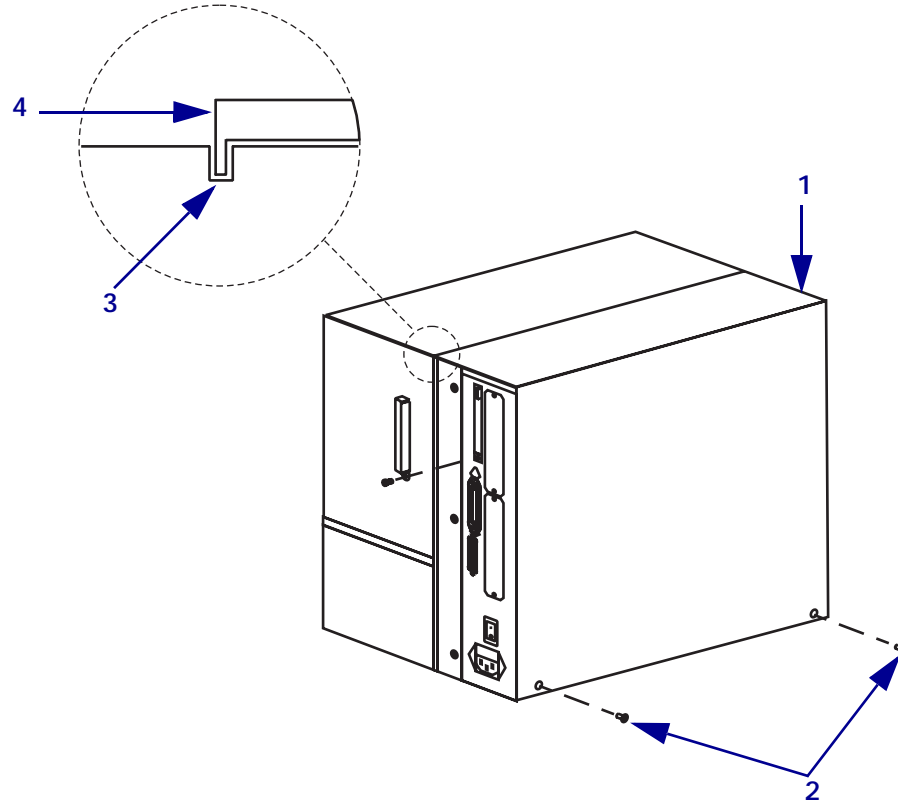
Figure 2 • Cover Plate



1	Cover plate mounting screws
2	Cover plate

4. See [Figure 3](#). To remove the electronics cover, remove the two mounting screws securing it. Lift up the cover beginning with the rear corner.

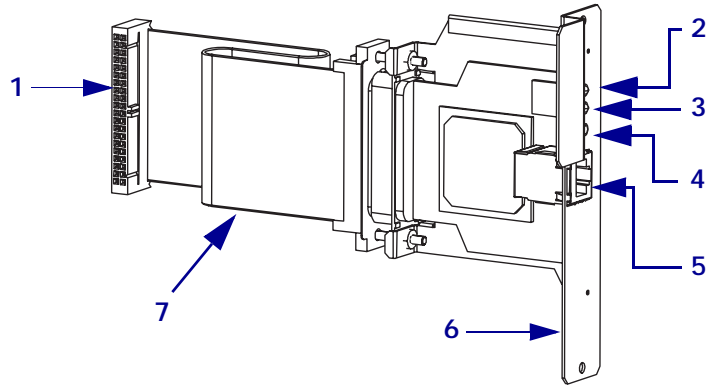
Figure 3 • Remove the Electronics Cover



1	Electronics cover
2	Electronics cover mounting screws (2)
3	Channel
4	Lip of electronics cover

- See [Figure 4](#). Through the mounting slot, insert the ribbon cable and 10/100 PS.

Figure 4 • Internal 10/100 PS



1	Ribbon cable connector
2	Network status LED
3	10/100 PS status LED
4	Test button
5	Ethernet connector
6	10/100 PS mounting bracket
7	Ribbon cable

- Fold the cable back over the mounting bracket, rotate the ribbon cable connector 180 degrees, and plug the connector into the keyed interface data cable connector (P21) on the main logic board.
- Secure the 10/100 PS interface board and bracket in place using the cover plate screws that you removed in [step 3](#).
- Confirm that all small cable connectors are tight.
- Reinstall the electronics cover that you removed in [step 4](#).



Note • This kit includes a label printed with the Ethernet MAC hardware address for the 10/100 PS. Remove the backing from the label and affix it to the back of the printer.

- Reconnect the AC power cord and turn on (I) the printer.
- Consult your system administrator before configuring the 10/100 PS for your network.