



Cutter Option Kit

Installation Instructions

This kit includes the parts and documentation necessary to install the Cutter Option Kit into the following printers: ZM400™ and ZM600™ Read these instructions thoroughly before attempting to install this kit.

Prepare for Installation

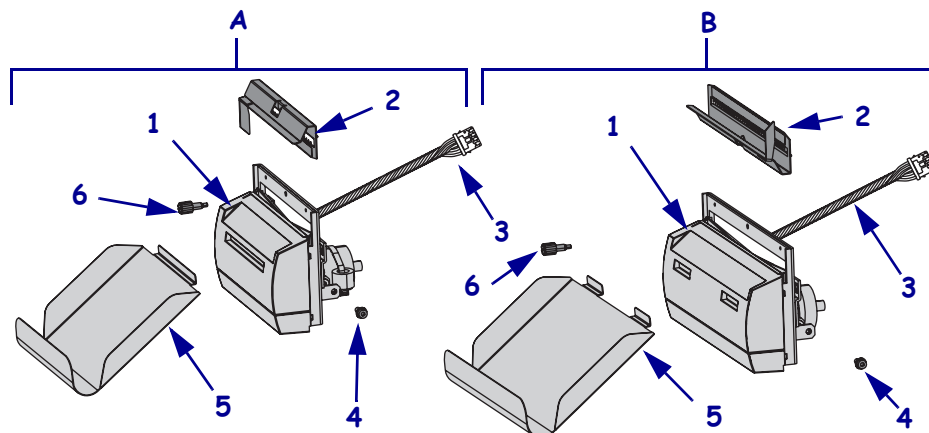
Parts List

Table 1 • Kit Parts List

✓	Item	Qty	Part Number	Description
	A	1	79841	ZM400 Cutter Option Kit
	B	1	79842	ZM600 Cutter Option Kit
	1	1	<i>77963</i>	ZM400 Cutter Assembly
		1	<i>77962</i>	ZM600 Cutter Assembly
	2	1	<i>78120</i>	Shield with Static Brush 4 in.
		1	<i>78121</i>	Shield with Static Brush 6 in.
	3	1	79465	Cable
	4	1	43894	Screw, M4 × 10
	5	1	77041	Cutter Catch Tray 4 in.
		1	77997	Cutter Catch Tray 6 in.
	6	1	<i>77412</i>	Thumbscrew

Bold = Part available for purchase.
Italic = Part not available for purchase, listed and shown for reference only.

Figure 1 • Kit Contents



Reference Materials

- ZM400/ZM600 User Guide CD
- ZM400/ZM600 Maintenance Manual
- Z Series[®] Maintenance Manual CD

Tools Required



Tools • You need these tools to complete this procedure:

- Phillips Screwdriver Set
- Flat-blade Screwdriver Set
- Metric Hex Key (Allen Wrench) Set
- Antistatic Wriststrap and Mat
- Safety Goggles

Remove the Electronics Cover



Note • Retain all parts removed during disassembly, unless otherwise directed.

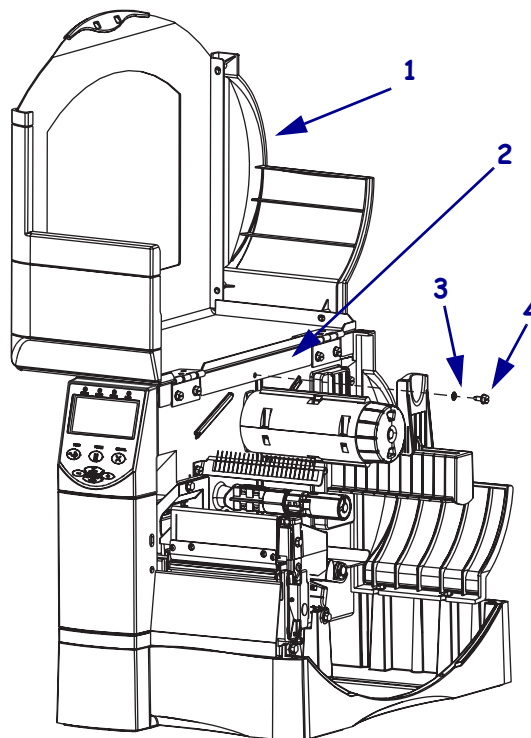


1. **Caution** • Turn off (O) the printer and disconnect it from the power source before performing the following procedure.

Open the media cover and remove the media and ribbon.

2. See [Figure 2](#). Remove the screw and washer securing the electronics cover.

Figure 2 • Locate the Electronics Cover Mounting Screw



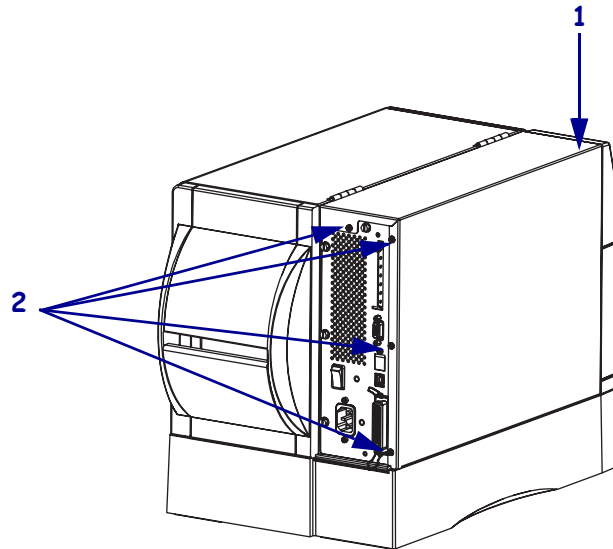
1	Media door
2	Electronics cover
3	Washer
4	Mounting screw

3. Close the media door.

4 | **Cutter Option Kit**
Remove the Electronics Cover

4. See [Figure 3](#). Remove the four mounting screws on the rear of the printer.

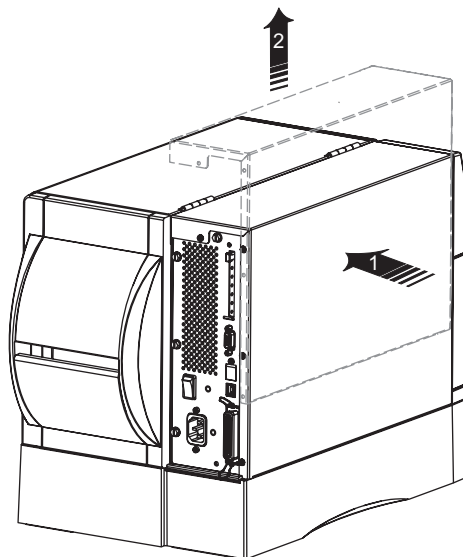
Figure 3 • Remove the Electronics Cover Mounting Screws



1	Electronics cover
2	Mounting screws (4)

5. See [Figure 4](#). Remove the electronics cover by pressing in on the electronics cover with the palm of your hand, and then lifting up on the cover.

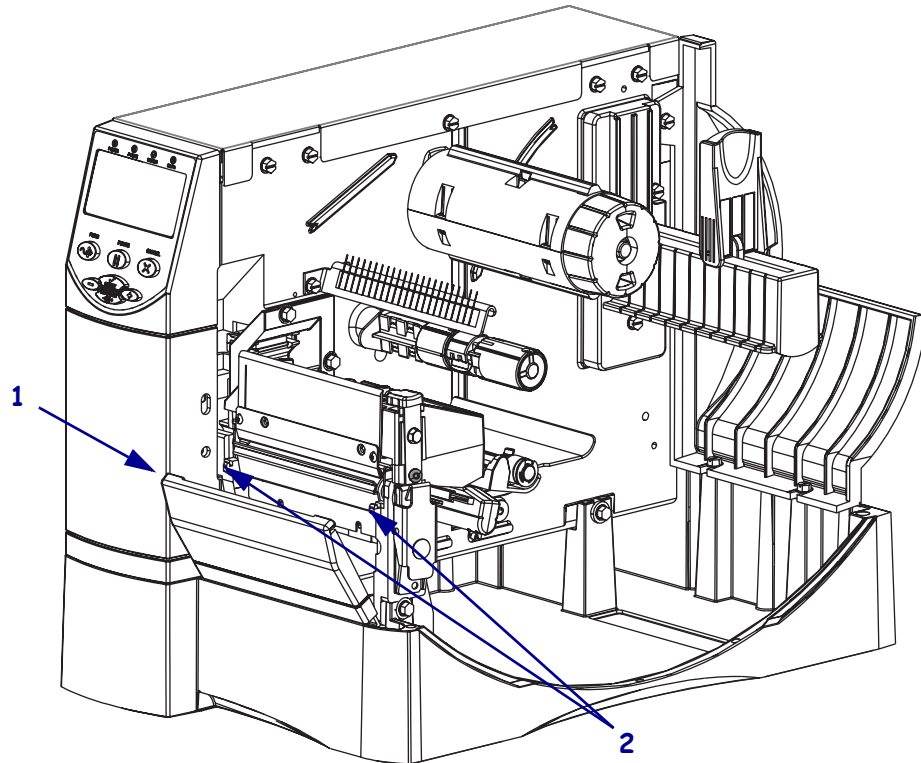
Figure 4 • Remove the Electronics Cover



Remove the Front Cover

1. See [Figure 5](#). Remove the front cover by pulling out on the upper left and right corners.

Figure 5 • Remove the Front Cover



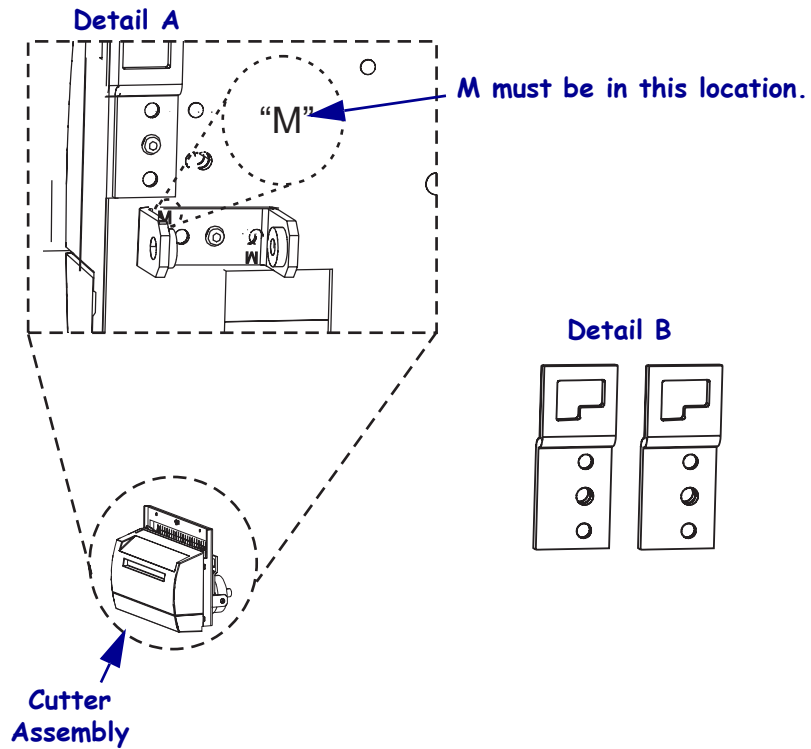
1	Front cover
2	Mounting hooks

2. Lift the front cover to remove it.
3. Close the media door.

Install the Cutter Option

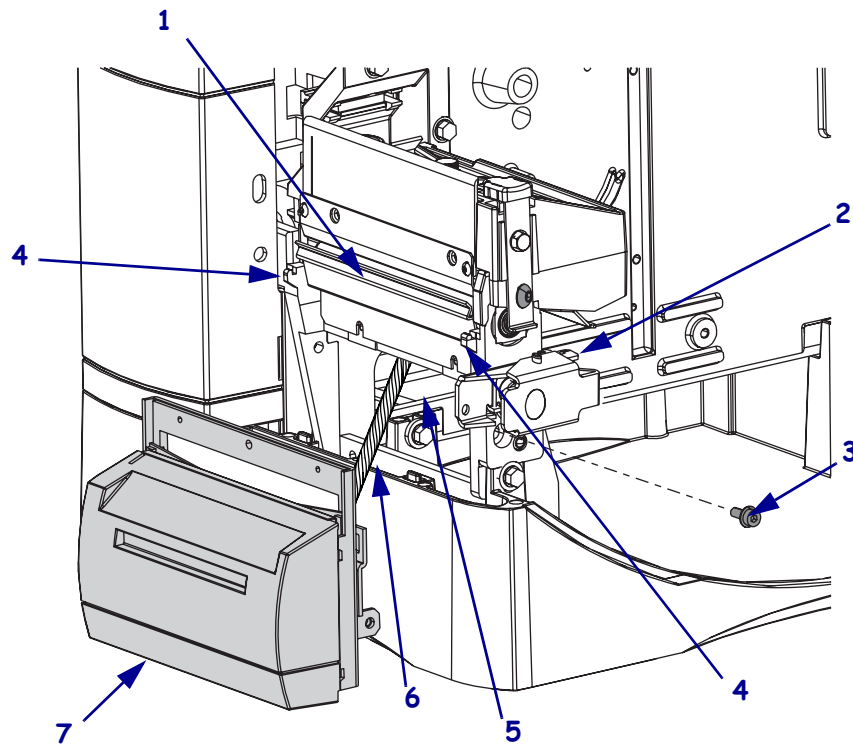
1. See [Figure 6](#), Detail A. Locate the cutter assembly in the kit. Verify that the mounting bracket is installed properly, with the “M” in the correct position. If it is not, loosen the center screw and rotate the bracket until the “M” is in the proper position.

Figure 6 • Locate and Position the Mounting Brackets



2. See [Figure 7](#). While holding the cutter assembly, route the cutter assembly wire harness through the mainframe access hole.
3. Install the cutter assembly on the hooks of the platen housing.
 - a. See [Figure 6](#). The ZM400 and ZM600 mounting brackets have step slots.
 - b. Hold the cutter assembly as far to the left as possible, and align the larger part of the slot with the hooks on the platen housing.
 - c. Set the cutter assembly onto the hooks, then push down and slide the assembly to the right.

Figure 7 • Install the Cutter Assembly



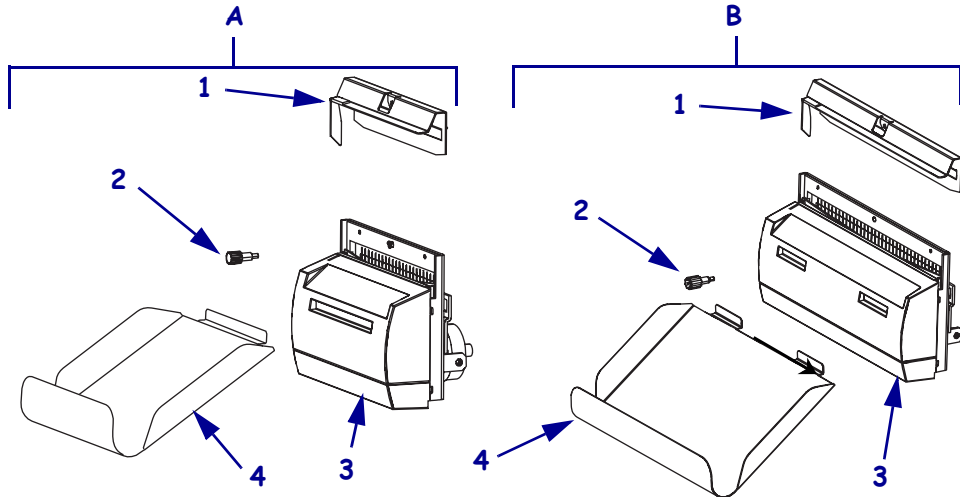
1	Tear bar
2	Latch assembly
3	Mounting screw
4	Platen assembly hook
5	Main frame access hole
6	Cutter cable
7	Cutter assembly

4. See [Figure 7](#). Secure the cutter assembly onto the platen assembly. The mounting bracket tab on the cutter fits behind and attaches to the platen assembly using the screw provided.

8 | **Cutter Option Kit**
Install the Cutter Option

5. See [Figure 8](#). Place the catch tray in the slot or slots of the front cover of cutter assembly. Place the cutter shield over the cutter assembly and secure in place using the thumb screw provided.

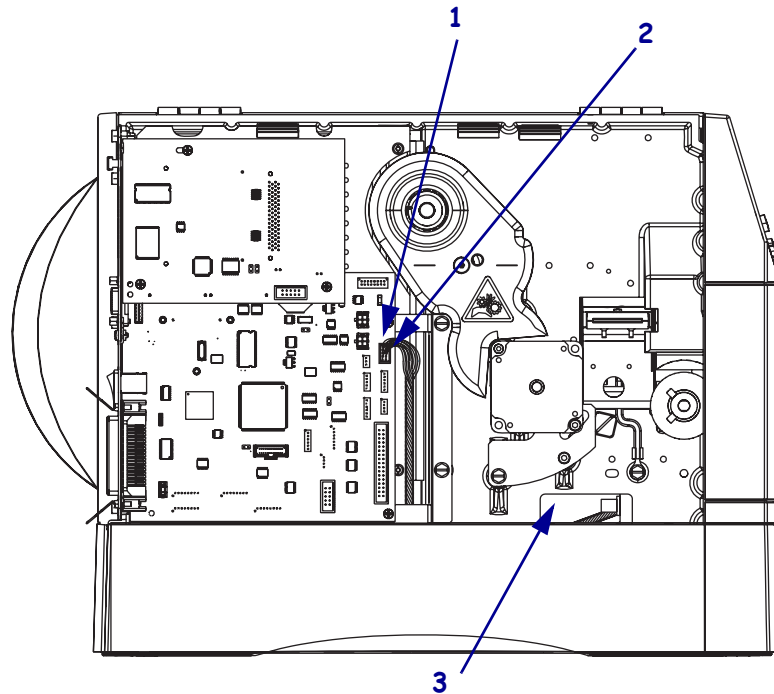
Figure 8 • Cutter Shield and Catch Tray



A	ZM400
B	ZM600
1	Cutter shield
2	Thumbscrew
3	Cutter assembly
4	Cutter catch tray

- See [Figure 9](#). Locate the connector P26 on the main logic board (MLB) and plug in the cutter assembly connector. Route the cable as shown and ensure that it is away from the drive belt and gears.

Figure 9 • Locate Cutter Connector on the Main Logic Board

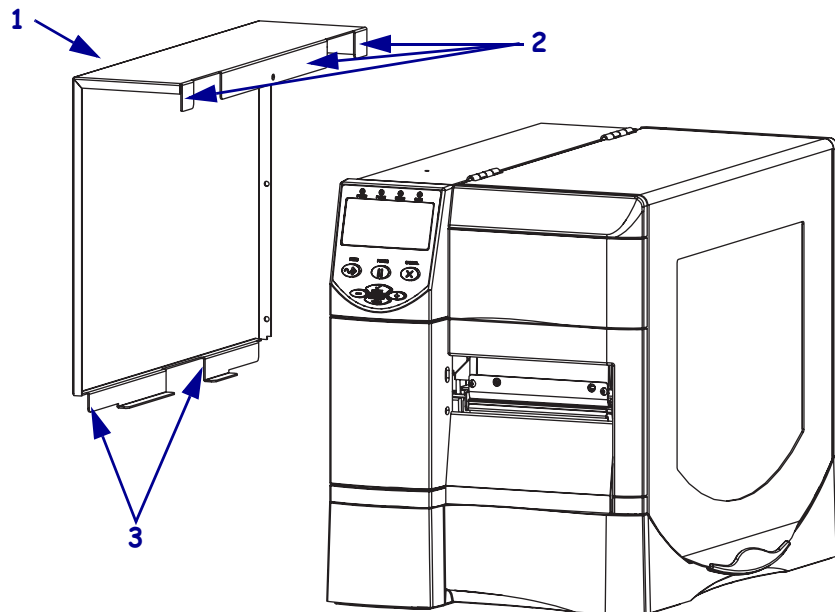


1	Main logic board (MLB) connector, P26
2	Cutter cable connector
3	Access hole

Reinstall the Electronics Cover

1. See [Figure 10](#). Install the electronics cover by aligning it and sliding down, ensuring the lower flange is inside the base and the upper flange is between the main frame and the media door.

Figure 10 • Locate the Upper and Lower Flanges



1	Electronics cover
2	Upper flanges (3)
3	Lower flanges (2)

2. See [Figure 4 on page 4](#). Reinstall the electronics cover.
3. See [Figure 3 on page 4](#). Install the four mounting screws.
4. See [Figure 2 on page 3](#). Open the media door.
5. Install the electronics cover mounting screw and lock washer.
6. Reinstall media and ribbon.
7. Close the media cover.
8. Reconnect the AC power cord.
9. Turn on **(I)** the printer.
10. Place the printer into the Cutter Mode (see your *User Guide* for proper setup and media loading instructions).