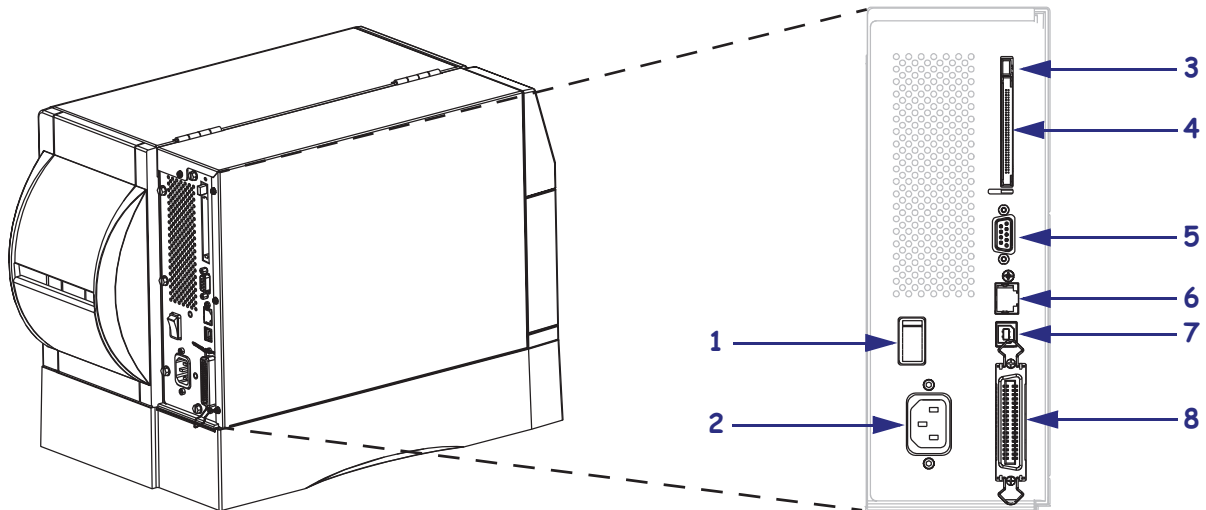
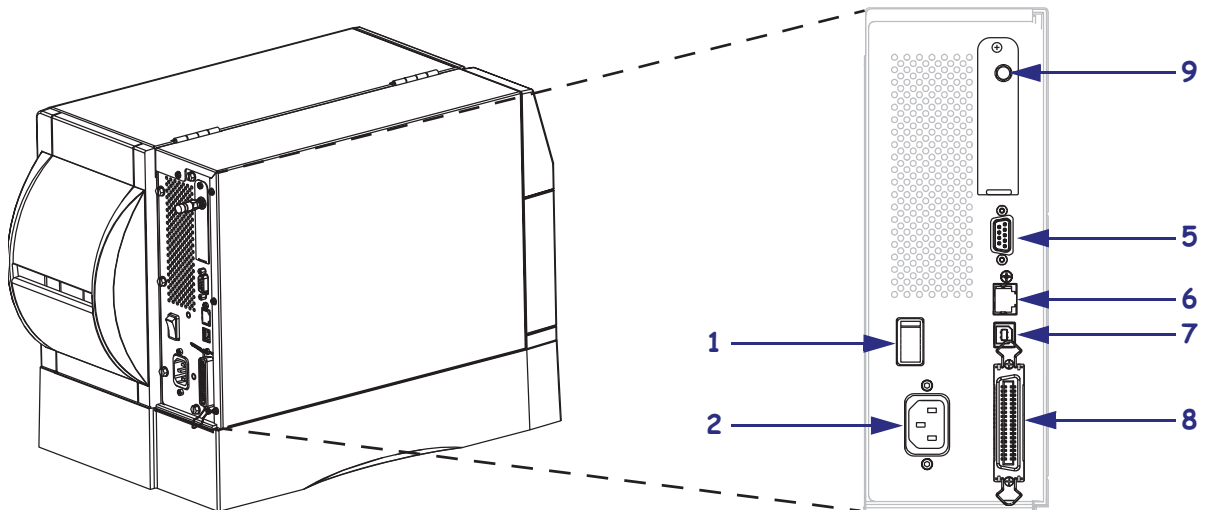


Figure 3 • Rear of Printer

(All Standard Connectors, Internal 10/100 Wired Print Server, and Wireless Plus Print Server Shown)



(All Standard Connectors, Internal 10/100 Wired Print Server, and Wireless Print Server with Integrated Radio Shown)



1	Power switch (O = off, I = on)
2	AC power connector
3	Wireless card ejector button
4	Wireless Plus print server card slot (Ethernet option)

5	Serial port
6	Internal wired print server port (Ethernet option)
7	USB port
8	Parallel port
9	Antenna for wireless print server with integrated radio (Ethernet option)

Select a Data Communication Interface

Table 5 provides basic information about data communication interfaces that you can use to connect your printer to a computer. You may send label formats to the printer through any data communication interface that is available. Select an interface that is supported by both your printer and your computer or your Local Area Network (LAN).

Table 5 also shows how to connect the different types of data cables to your printer and computer. The connectors on the back of your computer may be in different locations than on the sample computer shown in this section.

Caution • Ensure that the printer power is off (O) before connecting data communications cables. Connecting a data communications cable while the power is on (I) may damage the printer.

Table 5 • Data Communication Interfaces

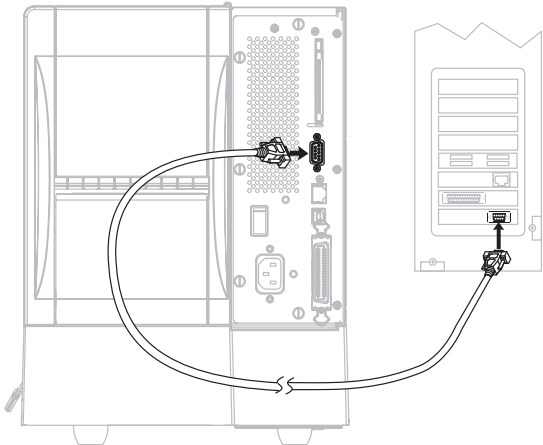
Interface	Standard or Optional	Description
RS-232 Serial	Standard	<p>Limitations and Requirements</p> <ul style="list-style-type: none"> • Maximum cable length of 50 ft (15.24 m). • You may need to change printer parameters to match the host computer. • You need to use a null-modem adaptor to connect to the printer if using a standard modem cable. <hr/> <p>Connections and Configuration The baud rate, number of data and stop bits, the parity, and the XON/XOFF or DTR control must match those of the host computer. See following pages for details on changing these parameters.</p> 

Table 11 • Printer Parameters (Page 15 of 25)








Language/Parameter	Action/Explanation
 <p>PARALLEL COMM. -BIDIRECTIONAL +</p>	<p>Set Parallel Communications</p> <p>Select the communications port that matches the one being used by the host computer.</p> <p><i>Default Value:</i> BIDIRECTIONAL <i>Selections:</i> BIDIRECTIONAL, UNIDIRECTIONAL</p> <p>To change the value shown:</p> <ol style="list-style-type: none"> 1. Press SELECT to select the parameter. 2. Press PLUS (+) or MINUS (-) to scroll through the options. 3. Press SELECT to accept any changes and deselect the parameter.
<p>ZPL only</p>  <p>SERIAL COMM. -RS232 +</p>	<p>Set Serial Communications</p> <p>Select the communications port that matches the one being used by the host computer. This setting applies only when the serial port is used.</p> <p> Note • Select RS232 if you are using an external adapter to enable RS422/485 operation.</p> <p><i>Default Value:</i> RS232 <i>Selections:</i> RS232, RS485 MULTIDROP</p> <p>To change the value shown:</p> <ol style="list-style-type: none"> 1. Press SELECT to select the parameter. 2. Press PLUS (+) or MINUS (-) to scroll through the options. 3. Press SELECT to accept any changes and deselect the parameter.
 <p>BAUD -9600 +</p>	<p>Set Baud</p> <p>This setting applies only when the serial port is used. The baud setting of the printer must match the baud setting of the host computer for accurate communications to take place. Select the value that matches the one being used by the host computer.</p> <p><i>Default Value:</i> 9600 <i>Selections (ZPL, APL-I, APL-D):</i> 300, 600, 1200, 2400, 4800, 9600, 14400, 19200, 28800, 38400, 57600, 115200 <i>Selections (EPL):</i> 1200, 2400, 4800, 9600, 19200, 38400, 57600, 115200</p> <p>To change the value shown:</p> <ol style="list-style-type: none"> 1. Press SELECT to select the parameter. 2. Press PLUS (+) or MINUS (-) to scroll through the options. 3. Press SELECT to accept any changes and deselect the parameter.

Table 11 • Printer Parameters (Page 16 of 25)

Language/Parameter	Action/Explanation
	<p>Set Data Bits</p> <p>This setting applies only when the serial port is used. The data bits of the printer must match the data bits of the host computer for accurate communications to take place. Set the data bits to match the setting being used by the host computer.</p> <p><i>Default Value:</i> 8 BITS <i>Selections:</i> 7 BITS, 8 BITS</p> <p>To change the value shown:</p> <ol style="list-style-type: none"> 1. Press SELECT to select the parameter. 2. Press PLUS (+) or MINUS (-) to toggle between the options. 3. Press SELECT to accept any changes and deselect the parameter.
	<p>Set Parity</p> <p>This setting applies only when the serial port is used. The parity of the printer must match the parity of the host computer for accurate communications to take place. Select the parity that matches the one being used by the host computer.</p> <p><i>Default Value:</i> NONE <i>Selections:</i> EVEN, ODD, NONE</p> <p>To change the value shown:</p> <ol style="list-style-type: none"> 1. Press SELECT to select the parameter. 2. Press PLUS (+) or MINUS (-) to scroll through the options. 3. Press SELECT to accept any changes and deselect the parameter.
	<p>Set Host Handshake</p> <p>This setting applies only when the serial port is used. The handshake protocol of the printer must match the handshake protocol of the host computer for communication to take place. Select the handshake protocol that matches the one being used by the host computer.</p> <p><i>Default Value (ZPL):</i> XON/XOFF <i>Selections (ZPL):</i> XON/XOFF, DSR/DTR, RTS/CTS</p> <p><i>Default Value (EPL):</i> DTR & XON/XOFF <i>Selections (EPL):</i> DTR & XON/XOFF, DTR</p> <p>To change the value shown:</p> <ol style="list-style-type: none"> 1. Press SELECT to select the parameter. 2. Press PLUS (+) or MINUS (-) to scroll through the options. 3. Press SELECT to accept any changes and deselect the parameter.