

Table 11 • Printer Parameters (Page 15 of 25)





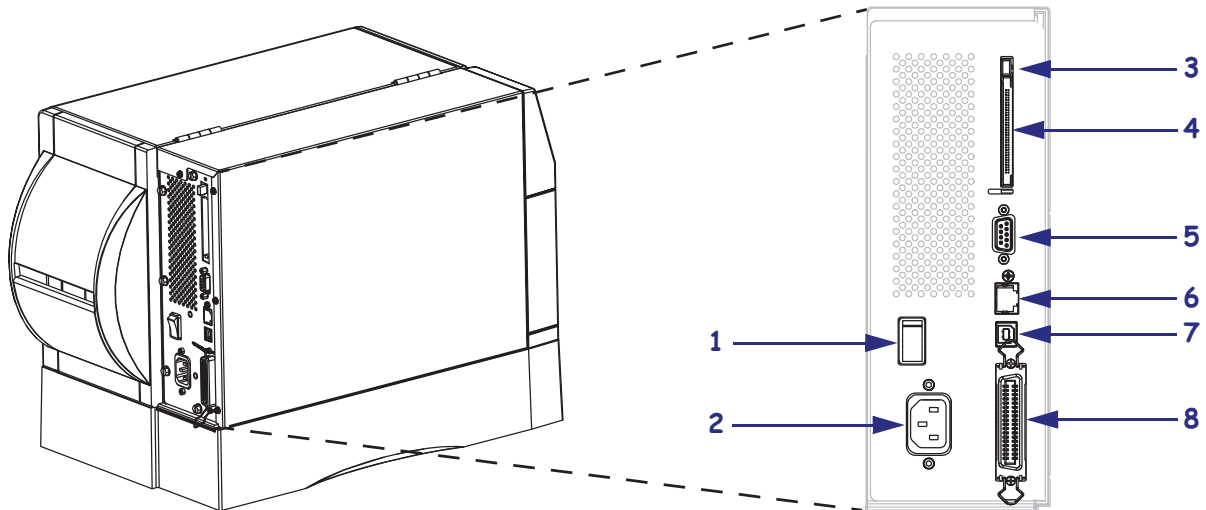
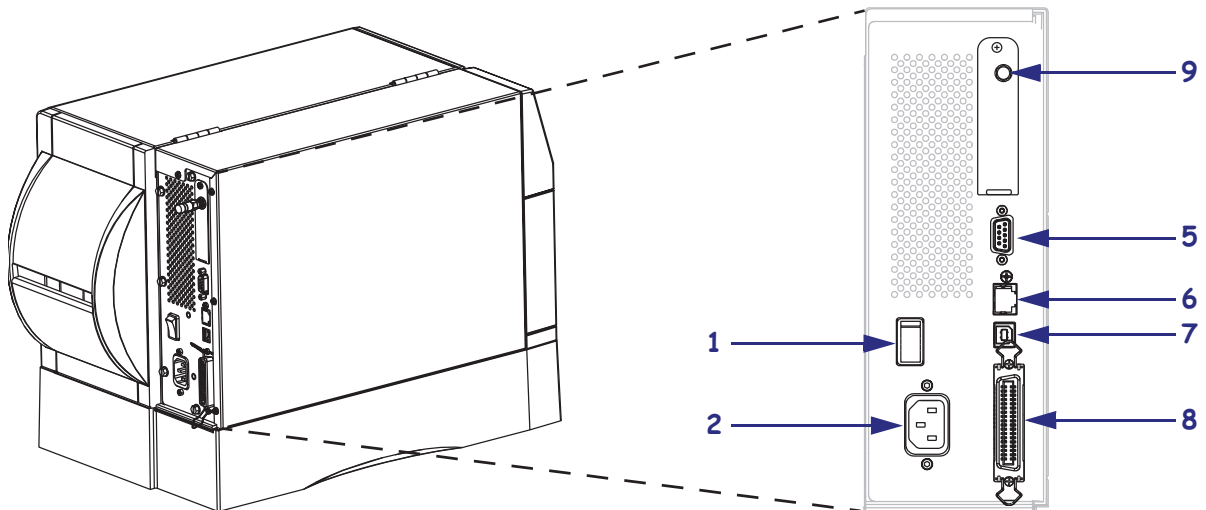
Language/Parameter	Action/Explanation
 <p>PARALLEL COMM. -BIDIRECTIONAL +</p>	<p>Set Parallel Communications</p> <p>Select the communications port that matches the one being used by the host computer.</p> <p><i>Default Value:</i> BIDIRECTIONAL <i>Selections:</i> BIDIRECTIONAL, UNIDIRECTIONAL</p> <p>To change the value shown:</p> <ol style="list-style-type: none"> 1. Press SELECT to select the parameter. 2. Press PLUS (+) or MINUS (-) to scroll through the options. 3. Press SELECT to accept any changes and deselect the parameter.
<p>ZPL only</p>  <p>SERIAL COMM. -RS232 +</p>	<p>Set Serial Communications</p> <p>Select the communications port that matches the one being used by the host computer. This setting applies only when the serial port is used.</p> <p> Note • Select RS232 if you are using an external adapter to enable RS422/485 operation.</p> <p><i>Default Value:</i> RS232 <i>Selections:</i> RS232, RS485 MULTIDROP</p> <p>To change the value shown:</p> <ol style="list-style-type: none"> 1. Press SELECT to select the parameter. 2. Press PLUS (+) or MINUS (-) to scroll through the options. 3. Press SELECT to accept any changes and deselect the parameter.
 <p>BAUD -9600 +</p>	<p>Set Baud</p> <p>This setting applies only when the serial port is used. The baud setting of the printer must match the baud setting of the host computer for accurate communications to take place. Select the value that matches the one being used by the host computer.</p> <p><i>Default Value:</i> 9600 <i>Selections (ZPL, APL-I, APL-D):</i> 300, 600, 1200, 2400, 4800, 9600, 14400, 19200, 28800, 38400, 57600, 115200 <i>Selections (EPL):</i> 1200, 2400, 4800, 9600, 19200, 38400, 57600, 115200</p> <p>To change the value shown:</p> <ol style="list-style-type: none"> 1. Press SELECT to select the parameter. 2. Press PLUS (+) or MINUS (-) to scroll through the options. 3. Press SELECT to accept any changes and deselect the parameter.

Figure 3 • Rear of Printer

(All Standard Connectors, Internal 10/100 Wired Print Server, and Wireless Plus Print Server Shown)



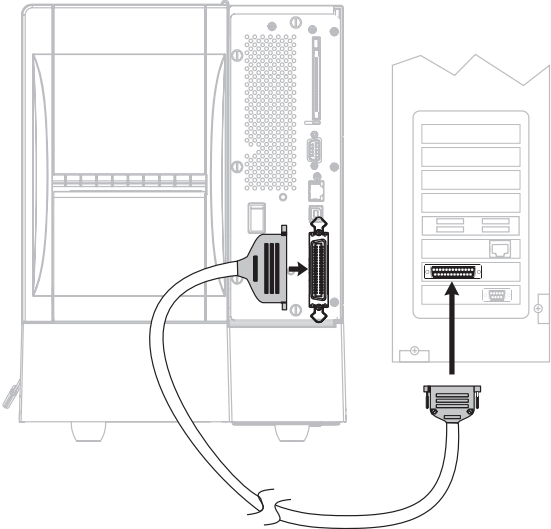
(All Standard Connectors, Internal 10/100 Wired Print Server, and Wireless Print Server with Integrated Radio Shown)



1	Power switch (O = off, I = on)
2	AC power connector
3	Wireless card ejector button
4	Wireless Plus print server card slot (Ethernet option)

5	Serial port
6	Internal wired print server port (Ethernet option)
7	USB port
8	Parallel port
9	Antenna for wireless print server with integrated radio (Ethernet option)

Table 5 • Data Communication Interfaces (Continued)

Interface	Standard or Optional	Description
IEEE 1284 Bidirectional Parallel	Standard	<p>Limitations and Requirements</p> <ul style="list-style-type: none"> • Maximum cable length of 10 ft (3 m). • Recommended cable length of 6 ft (1.83 m). • No printer parameter changes required to match the host computer. <hr/> <p>Connections and Configuration No additional configuration is necessary.</p> 
USB	Standard	<p>Limitations and Requirements</p> <ul style="list-style-type: none"> • Maximum cable length of 16.4 ft (5 m). • No printer parameter changes required to match the host computer. <hr/> <p>Connections and Configuration No additional configuration is necessary.</p> <p>Caution • Be careful not to plug the USB cable into the wired Ethernet print server connector on the printer because doing so will damage the connector.</p> 