

## Adjust the Sensors

This section describes how to adjust the sensors.

### Transmissive Media Sensor

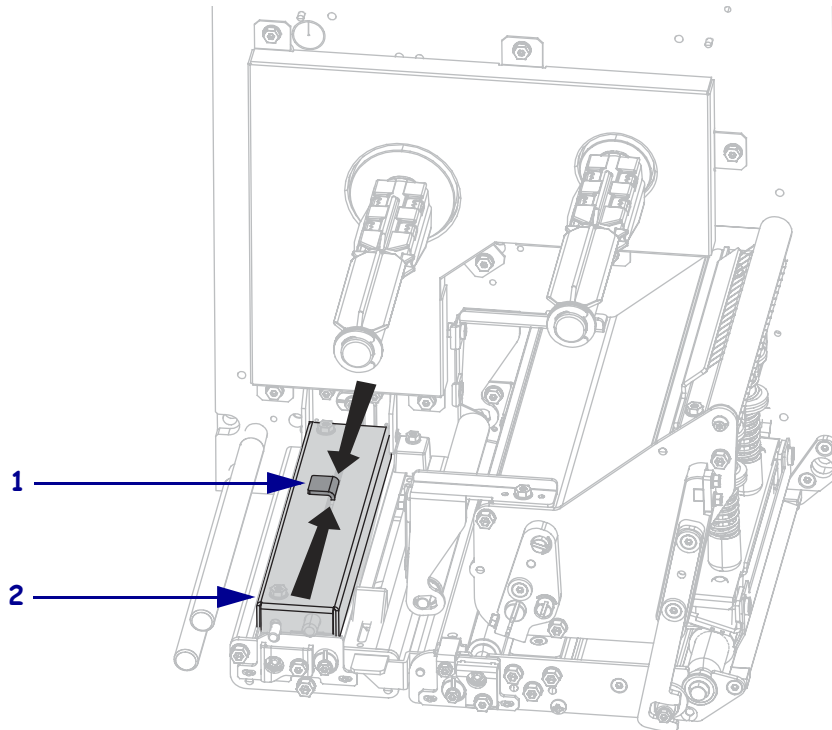
The transmissive media sensor finds “start of label” indicators, such as notches or holes in the media or interlabel gaps. This sensor consists of a light source (positioned below the media) and a light sensor (positioned above the media).

#### To position the sensor, complete these steps:

1. Refer to [Figure 11](#). Slide the sensor position indicator on the pinch roller assembly to move the media sensor.
2. How does the current media indicate the start of labels?

If the media...	Then...
Has notches or holes between labels	Align the sensor with the notch or hole in the media.
Uses interlabel gaps	Position the sensor approximately at the center of the media width.

Figure 11 • Media Sensor Adjustment (Right-Hand Unit Shown)



1	Sensor position indicator
2	Pinch roller assembly

## Reflective Media Sensor

Some types of media have black marks printed on the underside of the media liner, which act as “start of label” indicators. The reflective media sensor senses these black marks. The position of this sensor is not adjustable. If you use this type of media, refer to [Media Specifications on page 144](#) for information about black mark requirements.

## Ribbon Sensor

The ribbon sensor is mounted in a fixed position, and no adjustment is required.