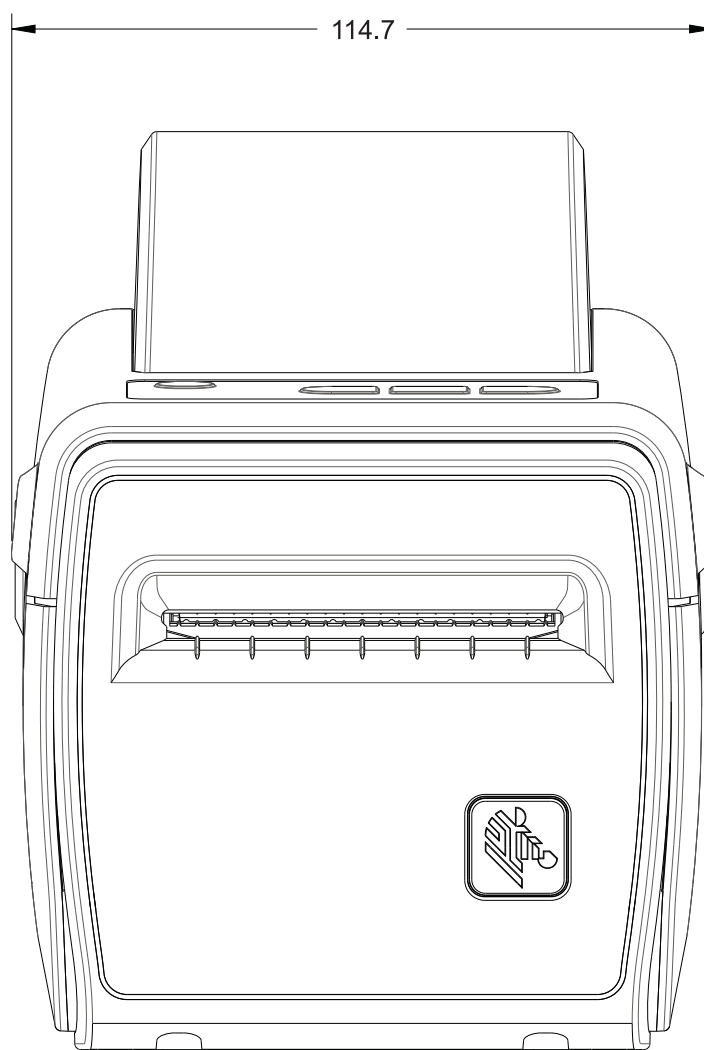
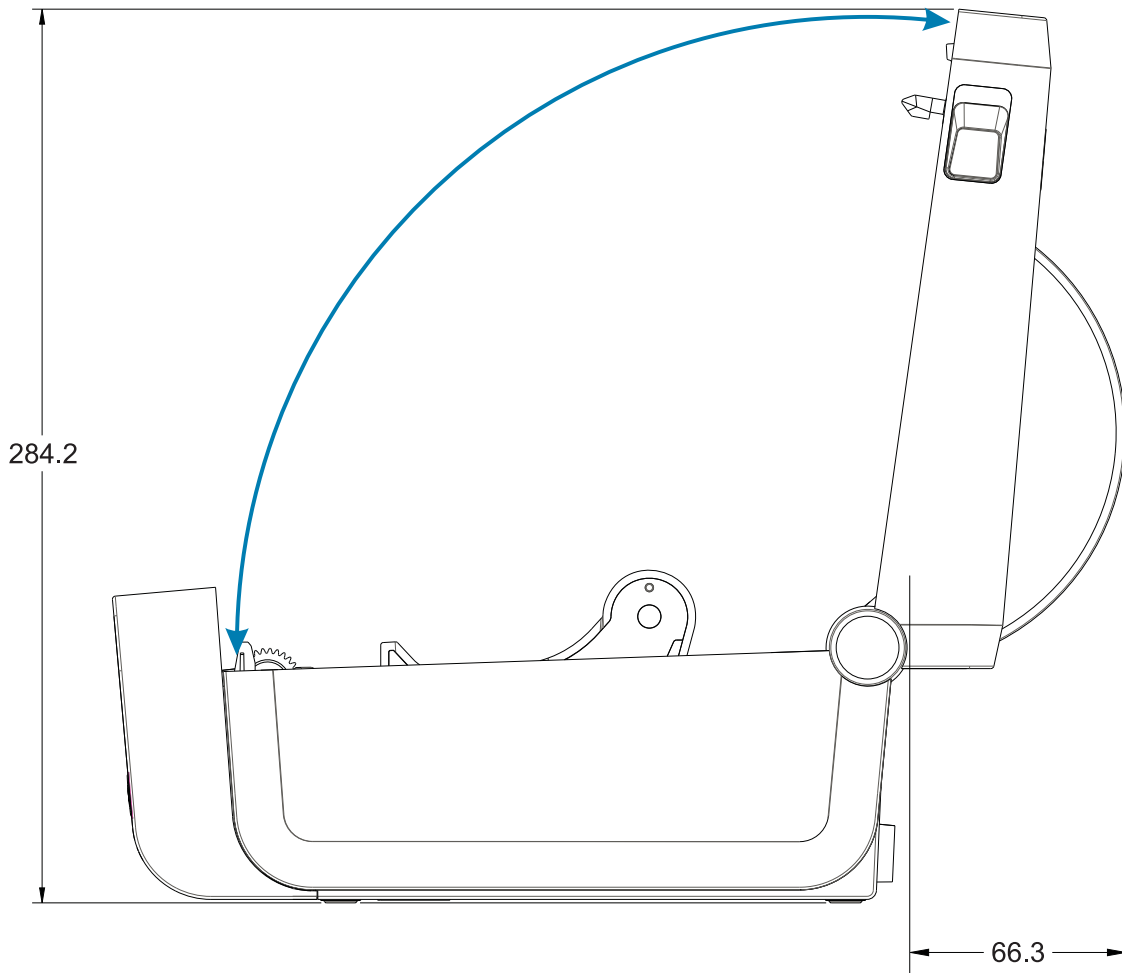
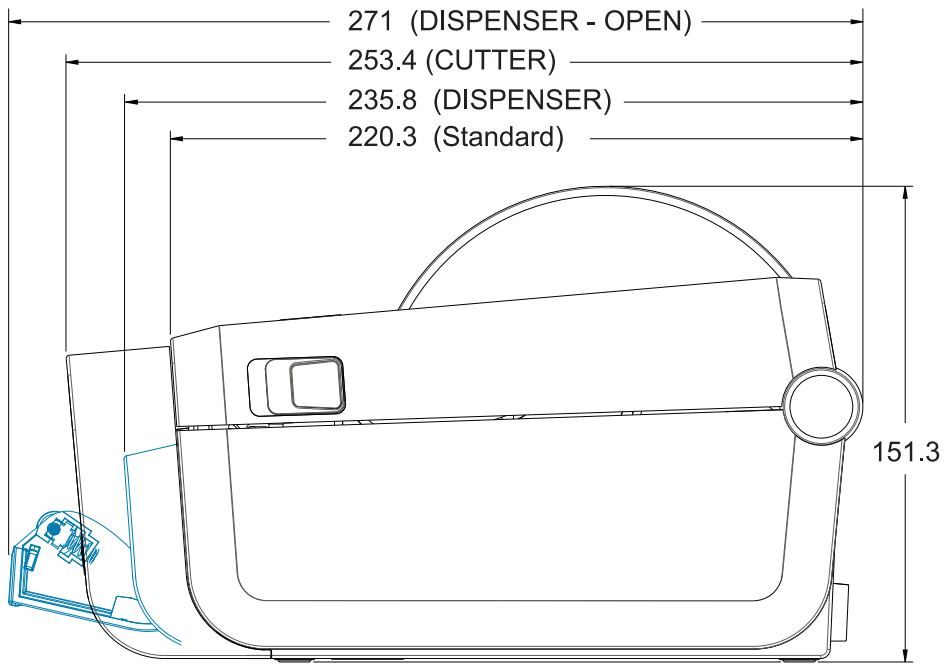


Appendix: Dimensions

This section provides external printer dimensions.



Dimensions are in millimeters (mm)



Use M3 thread forming screws with maximum hole depth of 5 mm into the printer body.

Note - Do not remove the rubber feet or the printer can overheat.

