



Media Low Sensor Maintenance Kit

Installation Instructions

This kit includes the parts and documentation necessary to install the Media Low Sensor maintenance kit in the Xi4™ printers.

Read these instructions thoroughly before installing this kit.

Prepare for Installation

Parts List

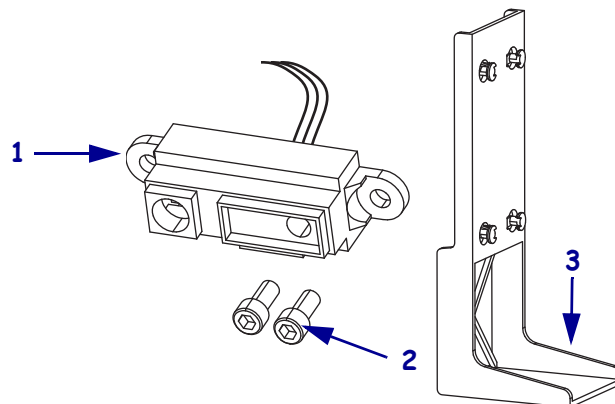
Before proceeding, verify that your kit contains the items for your printer listed below.

Table 1 • Parts List

✓	Item	Qty	Part Number	Description
	Ref	1	P1006138	Xi4 Media Low Sensor Maintenance Kit
	1	1	<i>N/A</i>	Xi4 Media Low Sensor
	2	2	HW20291-004	Screw, 4-40 × 0.25 inch (sold in quantities of 25)
	3	1	<i>N/A</i>	Media Low Sensor Calibration Tool

N/A = Not available as a separate part (listed for identification purposes only).
Bold = Part available for purchase.
Italic = Part not available for purchase; listed and shown for reference only.

Figure 1 • Kit Contents



Reference Materials

- Xi4 User Guide
- Xi4 Maintenance Manual

Tools Required



Tools • You need these tools to complete this procedure:

- Phillips Screwdriver Set
- Antistatic Wriststrap and Mat
- SAE Hex Key (Allen wrench) Set

Remove the Electronics Cover



Note • Retain all parts removed during disassembly, unless otherwise directed.

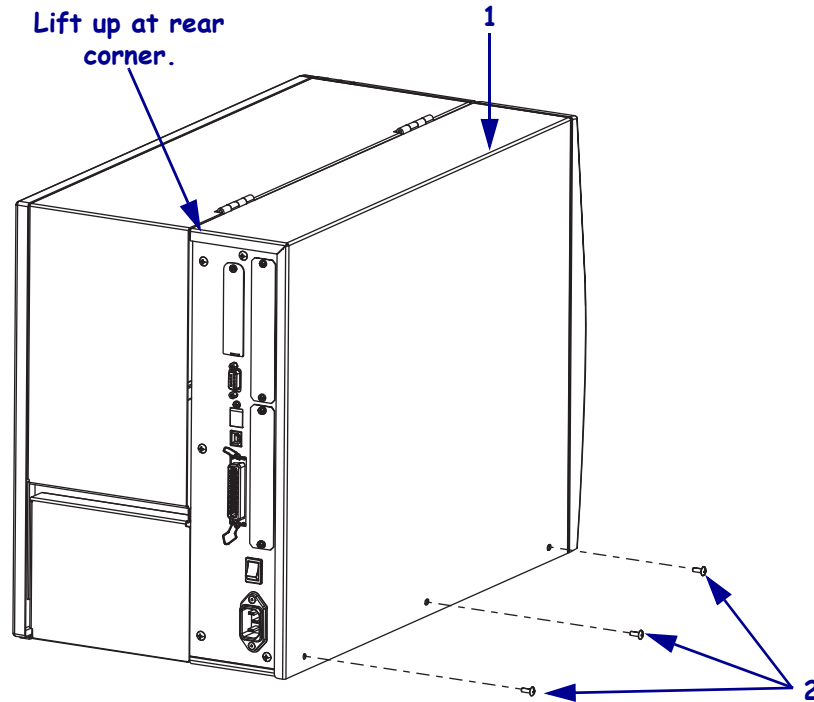


1. **Caution** • Turn off (O) the printer and disconnect it from the power source before performing the following procedure.

Turn off (O) the printer and disconnect the AC power cord and all data cables.

- See [Figure 2](#). Remove the electronics cover by removing the three mounting screws securing it.

Figure 2 • Remove the Electronics Cover



1	Electronics cover
2	Mounting screws (3)

- Lift up on the rear of the electronics cover and then lift the electronics cover off the printer.

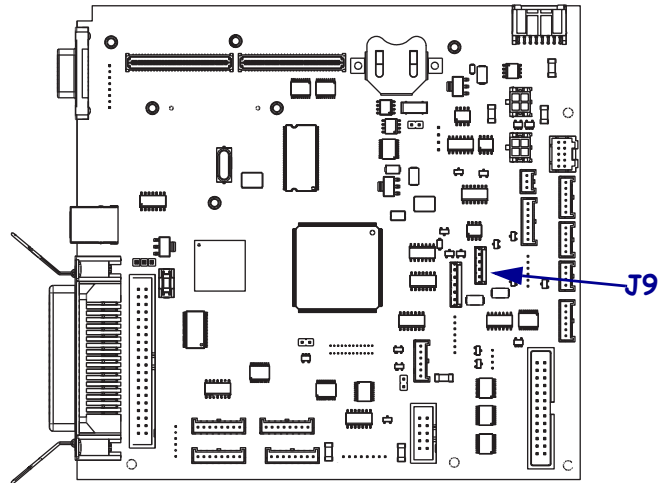
- Caution** • While performing any tasks near an open printhead, remove all rings, watches, hanging necklaces, identification badges, or other metallic objects that could touch the printhead.

Open the media door and remove the media.

Remove the Old Media Low Sensor

1. See [Figure 3](#). Disconnect the media low sensor cable from J9 on the main logic board (MLB).

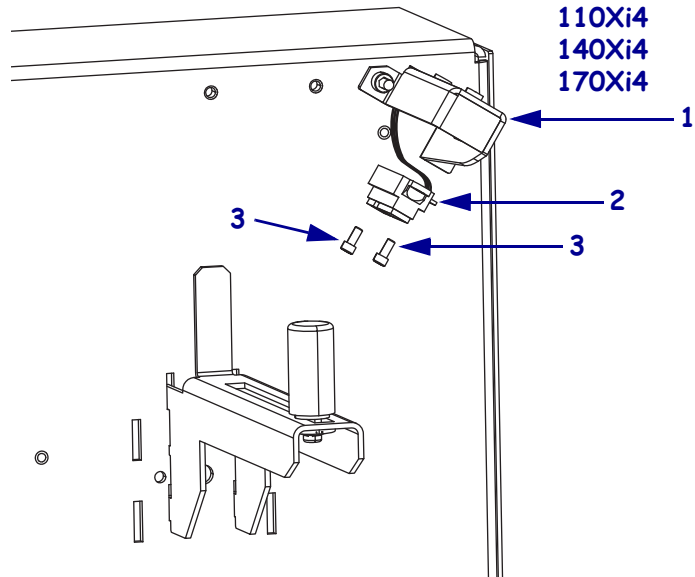
Figure 3 • Disconnect the Media Low Sensor



2. Which model of Xi4 printer are you working on?

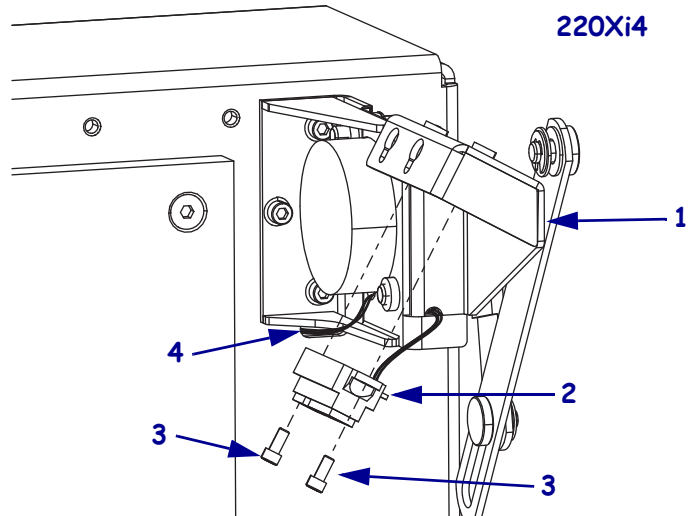
If you have a...	Then...
110Xi4 140Xi4 170Xi4	<ol style="list-style-type: none">a. See Figure 4. Remove the two media low sensor mounting screws and then remove the media low sensor from the mounting bracket.b. Pull the media low sensor cable out of the printer while guiding it through the access hole.c. Go to Install the New Media Low Sensor on page 7.
220Xi4	<ol style="list-style-type: none">a. See Figure 5. Remove the two media low sensor mounting screws and then remove the media low sensor from the mounting bracket.b. Go to Remove the Damper on page 6.

Figure 4 • Remove the Media Low Sensor (110Xi4, 140Xi4, and 170Xi4)



1	Media low sensor bracket
2	Media low sensor
3	Mounting screws (2)

Figure 5 • Remove the Media Low Sensor (220Xi4)



1	Media low sensor bracket
2	Media low sensor
3	Mounting screws (2)
4	Access hole

Remove the Damper

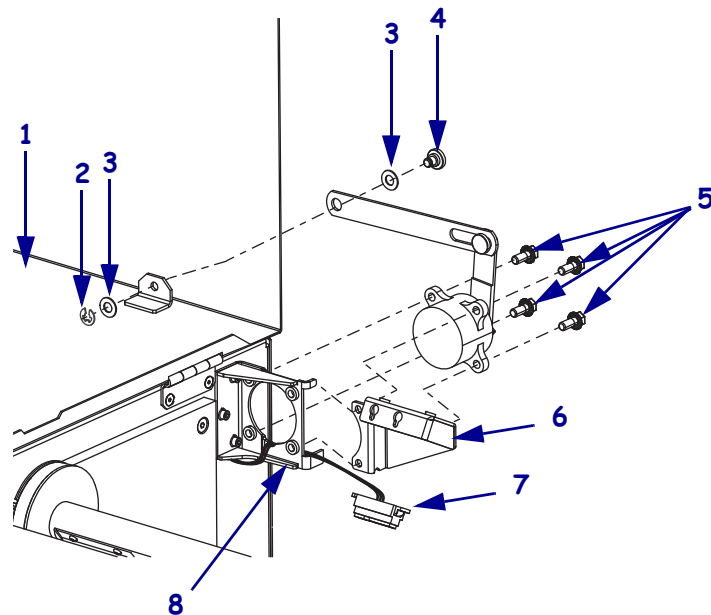


1. **Caution** • Wear protective eyewear when installing or removing E-rings, C-clips, snap rings, springs, and mounting buttons. These are under tension and could fly off.

See [Figure 6](#). Remove the e-ring and washer from the pivot pin on the media door.

2. Remove the pivot pin and washer to release the arm of the damper from the media door.

Figure 6 • Remove the Media Cover Damper



1	Media door
2	E-ring
3	Washers (2)
4	Pivot pin
5	Damper mounting screws (4)
6	Media low sensor mounting bracket
7	Media low sensor
8	Damper mounting bracket

3. Remove the four screws securing the damper assembly and media low bracket to the damper mounting bracket.
4. Pull the media low sensor cable out of the printer while guiding it through the access hole and through the damper mounting bracket.

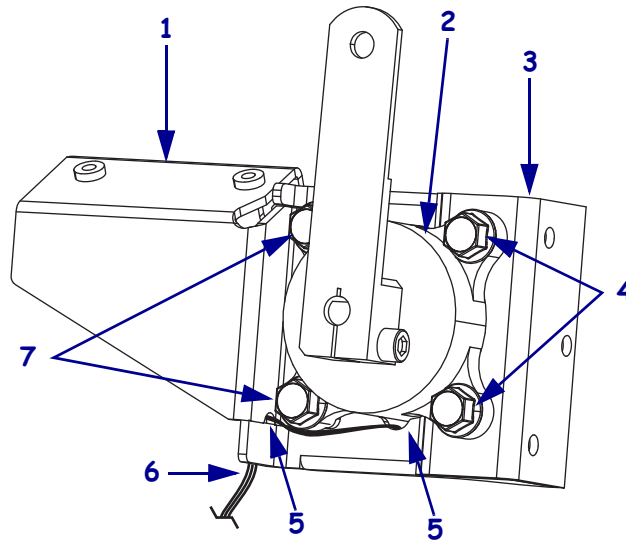
Install the New Media Low Sensor

Caution • Do not touch the media low sensor lens.

1. Which model of Xi4 printer are you working on?

If you have a...	Then...
110Xi4 140Xi4 170Xi4	<ol style="list-style-type: none"> a. Guide the new media low sensor cable into the printer via the access hole. b. See Figure 4. Install the new media low sensor onto the media low sensor bracket. c. See Figure 3 on page 4. Connect the media low sensor cable to J9 on the main logic board. d. Go to Reinstall the Electronics Cover on page 8.
220Xi4	<ol style="list-style-type: none"> a. See Figure 6 on page 6. Guide the media low sensor cable through the damper mounting bracket as shown. b. Slide the new damper into the damper mounting bracket, ensuring that the cable for the media low sensor is not pinched between the damper and bracket as shown in Figure 7. c. See Figure 5 on page 5. Slide the new media low sensor mounting bracket into the damper mounting bracket, ensuring that the cable for the media low sensor is not pinched between the two brackets and then install the two front damper mounting screws. d. Guide the media low cable through the access hole. e. See Figure 3 on page 4. Connect the media low sensor cable to J9 on the main logic board. f. Go to Reinstall the Electronics Cover on page 8.

Figure 7 • Route the Media Low Sensor Cable



1	Media low sensor mounting bracket
2	Damper assembly
3	Damper assembly mounting bracket
4	Rear damper assembly mounting screws (2)
5	Cable guide
6	Media low sensor cable
7	Front damper assembly mounting screws (2)

Reinstall the Electronics Cover

1. See [Figure 2 on page 3](#). Reinstall the electronics cover by aligning the cover so that it slips over the main frame.

2. Reinstall the mounting screws to secure the electronics cover.

3. **Caution** • When you are loading media or ribbon, remove all jewelry that could come into contact with the printhead or other printer parts.

Reinstall the media and ribbon.

4. Reconnect the AC power cord and all data cables.

5. Turn on (I) the printer.

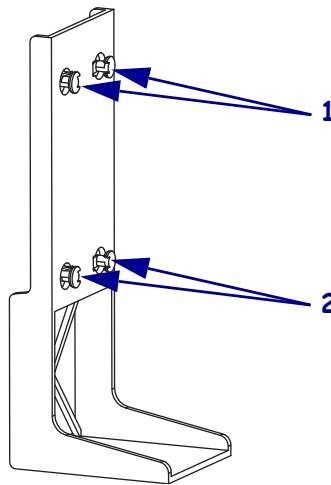
Calibrate the Media Low Sensor

1. **Caution** • While performing any tasks near an open printhead, remove all rings, watches, hanging necklaces, identification badges, or other metallic objects that could touch the printhead.

Open the media door and remove the media.

2. On the control panel press and hold MINUS (–) while turning on (I) the printer until **BBlock** is displayed.
3. Press NEXT/SAVE until **MEDIA LOW** is displayed.
4. Press PLUS (+); **LOAD FULL ROLL** displays.
5. See [Figure 8](#). Familiarize yourself with the media low sensor calibration tool.

Figure 8 • Media Low Calibration Tool

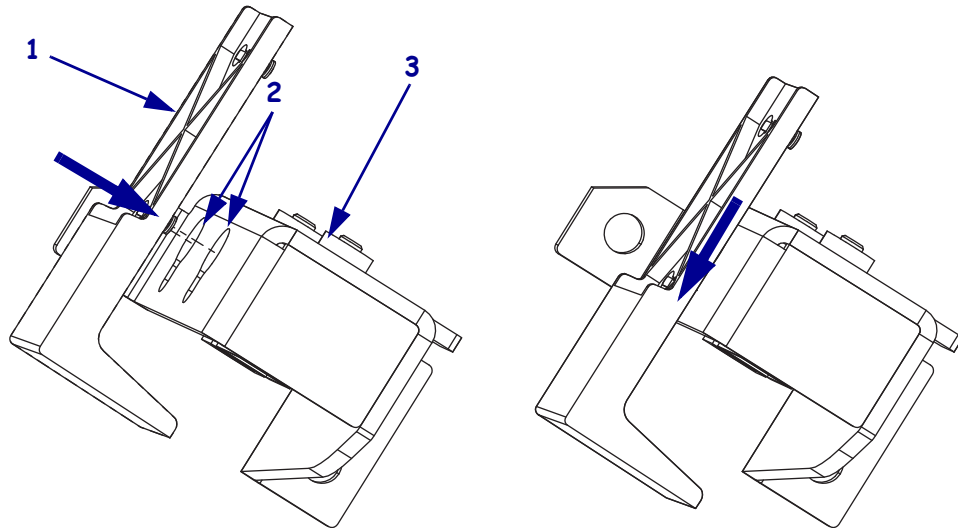


1	Media roll empty posts
2	Media roll full posts

Full Media Roll Calibration

1. See [Figure 9](#). Slide media roll full posts of the calibration tool into the keyholes in the media low sensor bracket and then slide the tool down to secure it in place.

Figure 9 • Full Roll



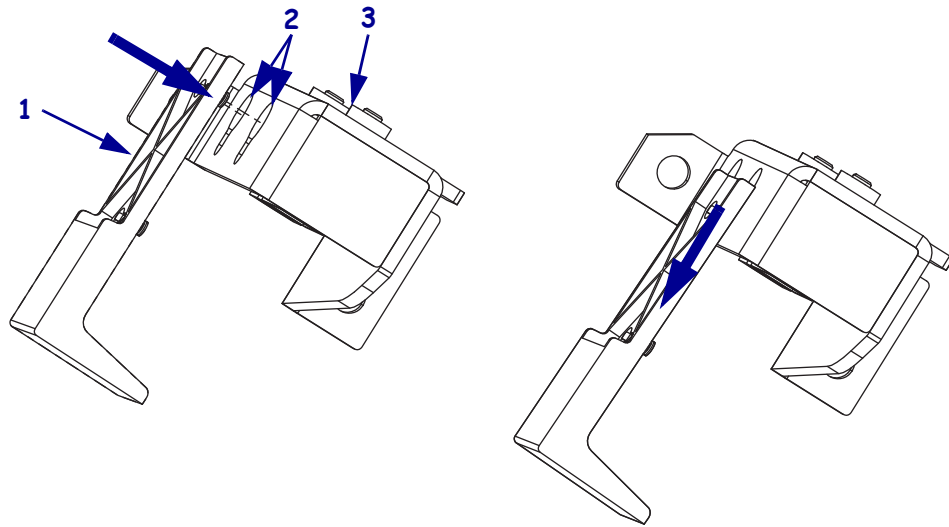
1	Calibration tool
2	Keyholes
3	Media low bracket

2. Press PLUS (+) to calibrate; **CALIBRATING PLEASE WAIT** displays.
3. After **LOAD EMPTY ROLL** is displayed, remove the calibration tool.
4. Continue with [Empty Media Roll Calibration](#).

Empty Media Roll Calibration

1. See [Figure 10](#). Slide media roll empty posts of the calibration tool into the keyholes in the media low sensor bracket and then slide the tool down to secure it in place.

Figure 10 • Roll Empty



1	Calibration tool
2	Keyholes
3	Media low bracket

2. Press PLUS (+) to calibrate, **CALIBRATING PLEASE WAIT** displays.
3. After **MEDIA LOW** is displayed, remove the calibration tool.

Complete the Installation

1. Turn off (O) the printer.
2. **Caution** • When you are loading media or ribbon, remove all jewelry that could come into contact with the printhead or other printer parts.

Reinstall the media.

3. Turn on (I) the printer.
4. Verify that the printer is operating correctly.

If you had previously made changes to the default configuration, you will need to make those changes again and save them. See the *User Guide* for instructions.