

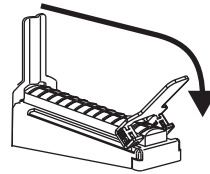
## Prepare the Media for Loading

You can use roll media or fanfold media in your printer. Roll media hangs on and is loaded from the media supply hanger. Fanfold media is stored away from or in the bottom of the printer and can drape across the media supply hanger.

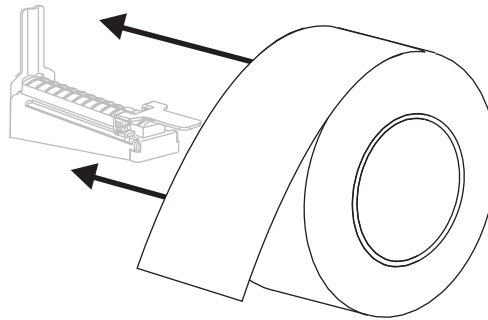
### Roll Media

To place roll media on the media supply hanger, complete these steps:

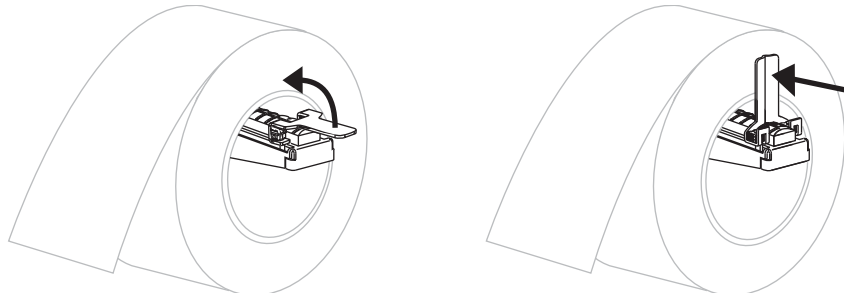
1. Slide out and flip down the media supply guide.



2. Place the roll of media on the media supply hanger. Push the roll back as far as it will go.



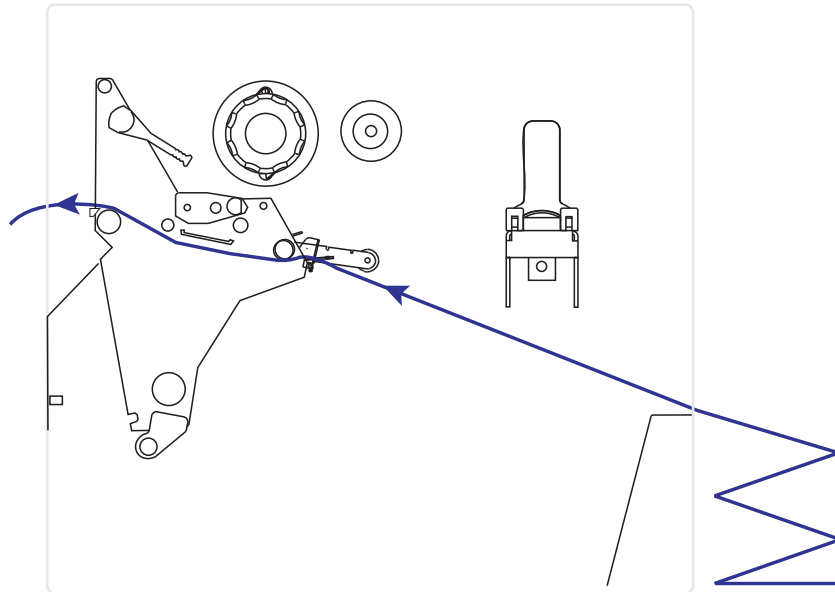
3. Flip up the media supply guide, and then slide it in until it touches the edge of the roll.



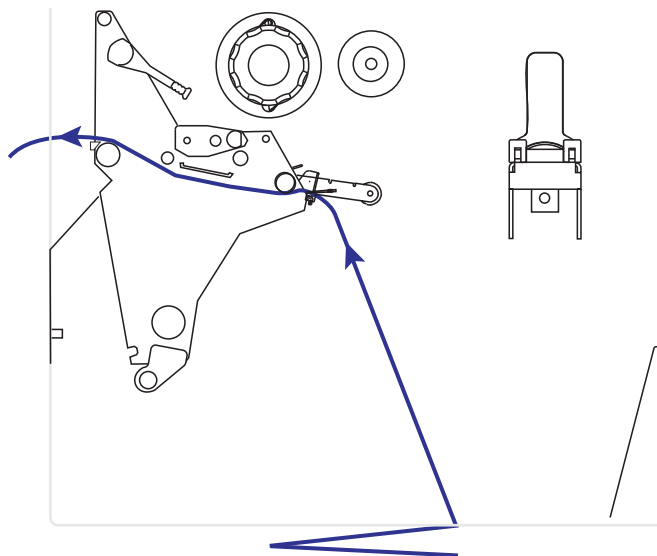
## Fanfold Media

You can load fanfold media through the rear access slot or through the bottom access slot. Using the media supply hanger is optional.

**Figure 8 • Rear Feed Using Media Supply Hanger**

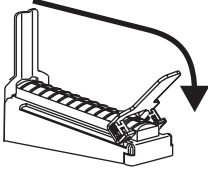
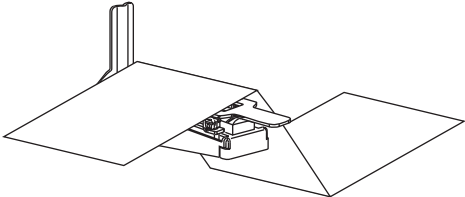
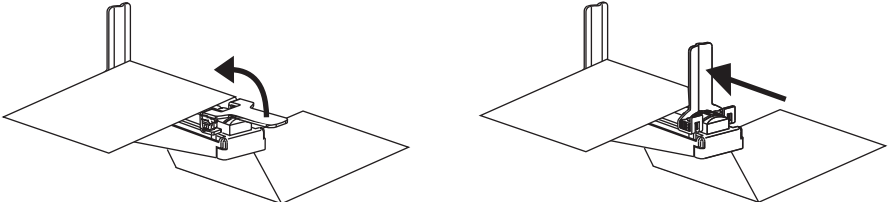


**Figure 9 • Bottom Feed Without Using Media Supply Hanger**



**To load fanfold media, complete these steps:**

1. Thread the fanfold media through the rear or bottom access slot.
2. Do you wish to use the media supply guide?

If...	Then...
No	Continue with the media loading procedure for the desired print mode.
Yes	<p data-bbox="529 493 1112 525"><b>a.</b> Slide out and flip down the media supply guide.</p>  <p data-bbox="529 720 1112 751"><b>b.</b> Drape the media over the media supply hanger.</p>  <p data-bbox="529 987 1412 1050"><b>3.</b> Flip up the media supply guide, and then slide it in until it touches the edge of the media.</p> 

## Print Modes

The printer can print on roll or fanfold media and use different print modes for label removal. Use a print mode that matches the media being used and the printer options available (Table 8). For more information on the types of media, see *Types of Media* on page 35.

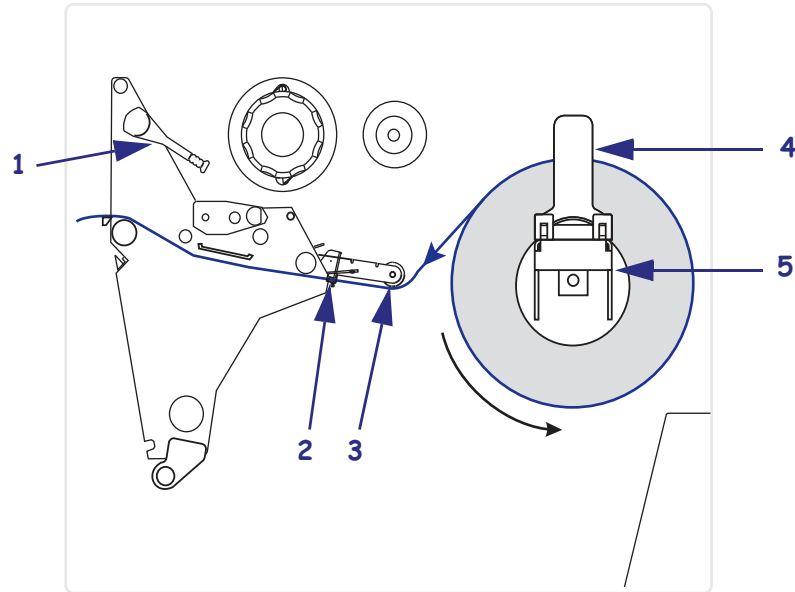
**Table 8 • Print Modes**

Mode	When to Use	Printer Action
Tear-Off (default setting)	Use for most applications. Can use roll or fanfold media. See <i>Load Media in Tear-Off Mode</i> on page 44.	Each label or strip of labels can be torn off after printing.
Peel-Off	Use only if printer has the Peel-Off or Rewind option. Usually uses roll media. See <i>Load Media in Peel-Off Mode</i> on page 102.	The liner is peeled away from the label during printing. When the printed label is removed, the next label prints.
Cutter	Use only if printer has a cutter option. Usually uses roll media. See <i>Load Media in Cutter Mode</i> on page 109.	The printer automatically cuts the label after it is printed.
Rewind	Use only if printer has the Rewind option without a cutter. Can use roll or fanfold media. See <i>Load Media in Rewind Mode (No Cutter)</i> on page 114.	The media and/or liner are rewound onto a core as they are printed.
Rewind with Cutter Option	Use only if printer has the Rewind option and a cutter. Can use roll or fanfold media. See <i>Load Media in Rewind Mode with Cutter Option</i> on page 121.	The media and/or liner are rewound onto a core as they are printed. The labels are not cut.

## Load Media in Tear-Off Mode

Tear-Off is the default mode. [Figure 10](#) shows roll media loaded in Tear-Off mode.

**Figure 10 • Tear-Off Mode**

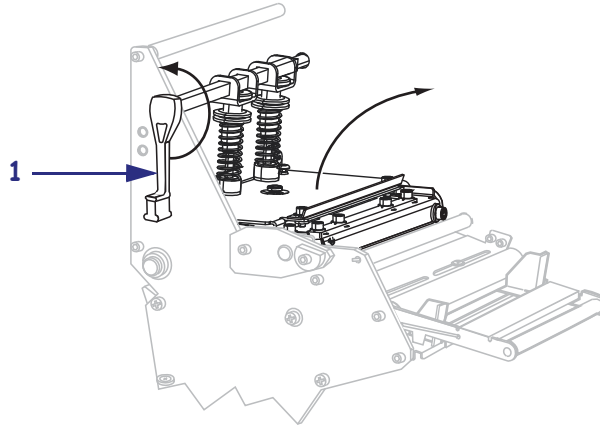


<b>1</b>	Printhead-open lever
<b>2</b>	Media guide
<b>3</b>	Media guide roller
<b>4</b>	Media supply guide
<b>5</b>	Media supply hanger

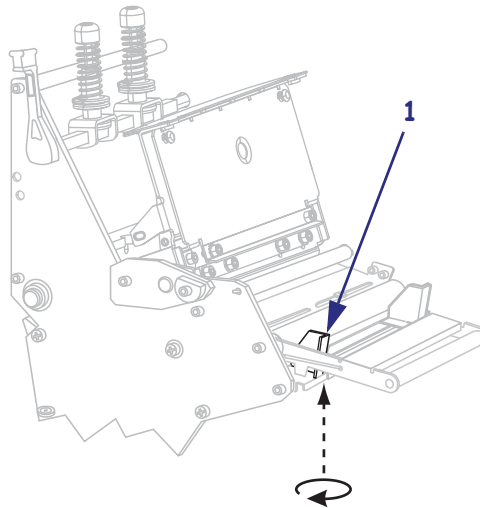
**Caution** • While performing any tasks near an open printhead, remove all rings, watches, hanging necklaces, identification badges, or other metallic objects that could touch the printhead. You are not required to turn off the printer power when working near an open printhead, but Zebra recommends it as a precaution. If you turn off the power, you will lose all temporary settings, such as label formats, and you must reload them before you resume printing.

**To load roll media, complete these steps:**

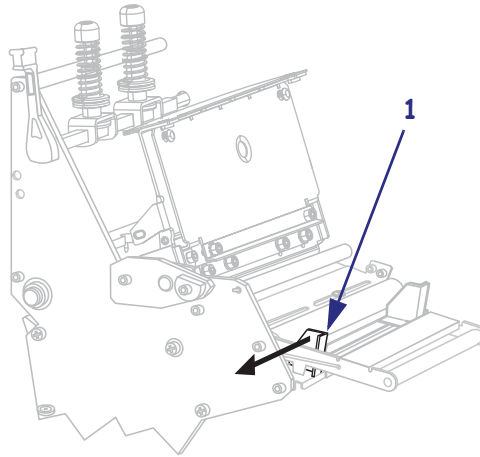
1. Set the printer to Tear-Off mode. See *Select Print Mode* on page 73 for instructions.
2. Insert media into the printer. See *Prepare the Media for Loading* on page 40 for instructions.
3. Open the printhead assembly by rotating the printhead-open lever (1) counter-clockwise.



4. Loosen the thumb screw (not visible from this angle) that is located on the bottom of the outer media guide (1).



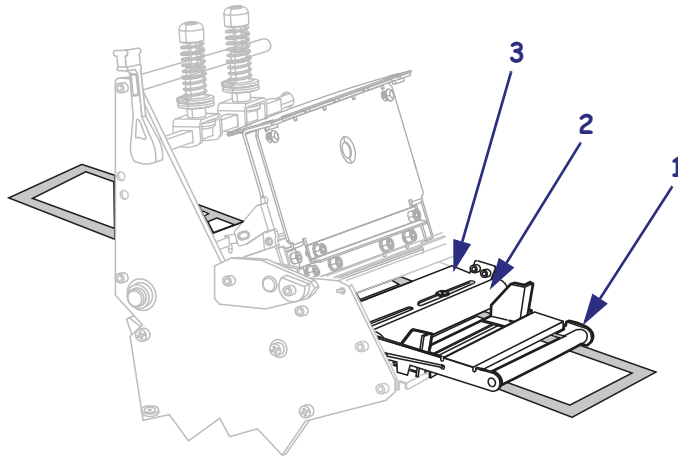
5. Slide the outer media guide (1) all the way out.



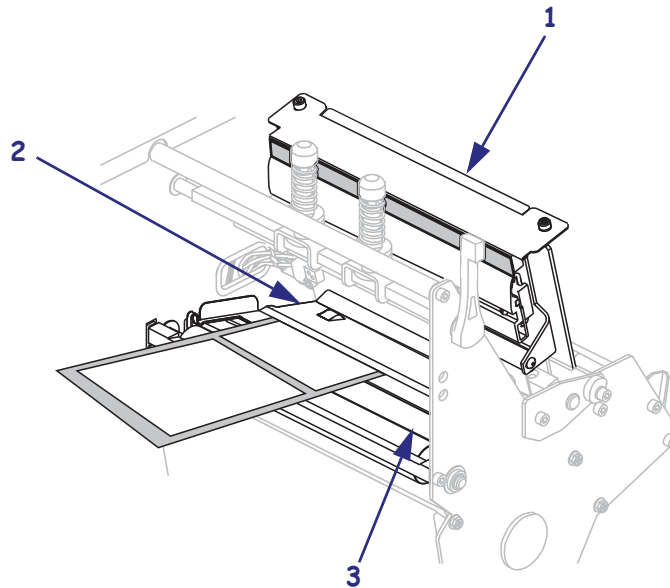
6. If your printer includes a media dancer assembly (1), thread the media under the media dancer assembly roller. For all printers, thread the media under the media guide roller (2) and then the upper media sensor (3).



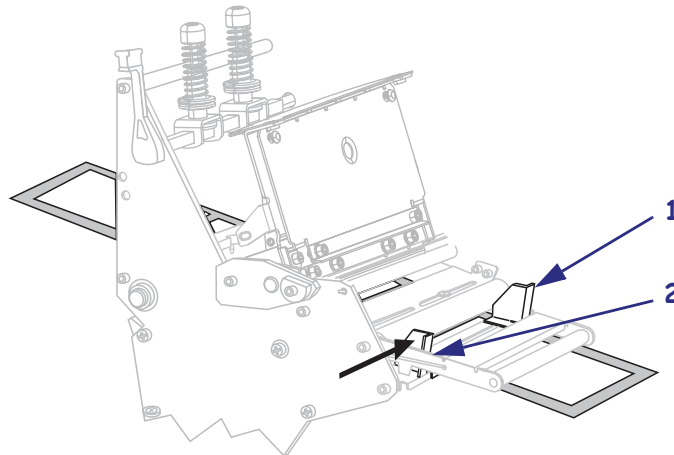
**Important** • Make sure that you thread the media under these components. If you thread the media over the them, the media obstructs the ribbon sensor and causes a false **RIBBON OUT** error.



7. Push the media forward until it passes under the printhead assembly (1), under the snap plate (2), and then over the platen roller (3).

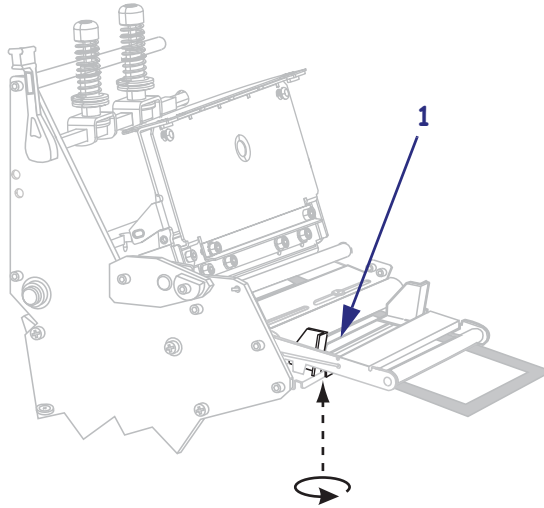


8. Align the media with the inner media guide (1). Slide in the outer media guide (2) until it just touches the edge of the media.





9. Tighten the thumb screw (not visible from this angle) that is located on the bottom of the outer media guide (1).



10. Push down the printhead assembly (1), and then rotate the printhead-open lever (2) clockwise until it locks into place.

