

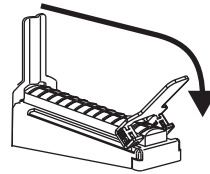
Prepare the Media for Loading

You can use roll media or fanfold media in your printer. Roll media hangs on and is loaded from the media supply hanger. Fanfold media is stored away from or in the bottom of the printer and can drape across the media supply hanger.

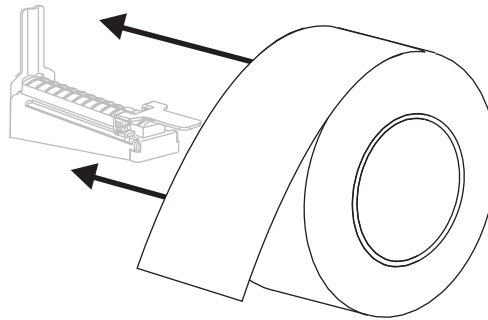
Roll Media

To place roll media on the media supply hanger, complete these steps:

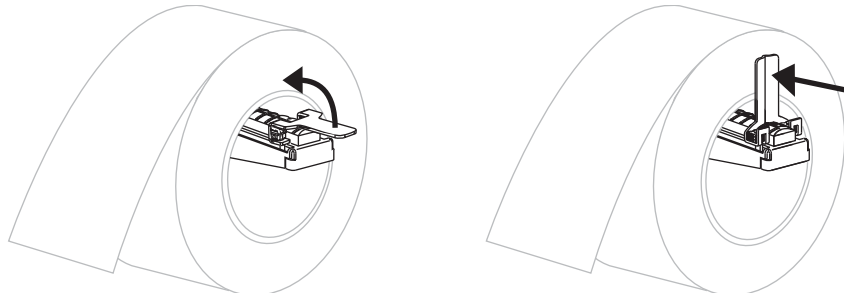
1. Slide out and flip down the media supply guide.



2. Place the roll of media on the media supply hanger. Push the roll back as far as it will go.



3. Flip up the media supply guide, and then slide it in until it touches the edge of the roll.



Fanfold Media

You can load fanfold media through the rear access slot or through the bottom access slot. Using the media supply hanger is optional.

Figure 8 • Rear Feed Using Media Supply Hanger

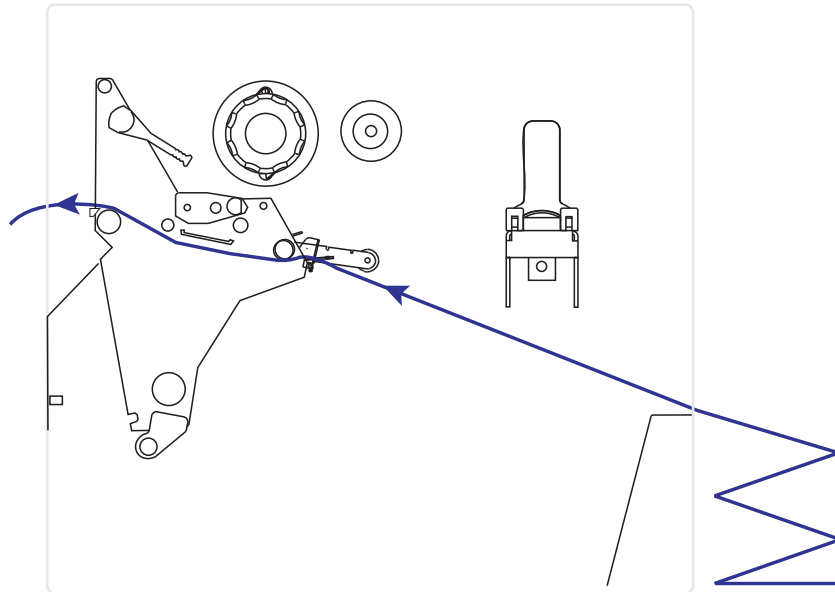
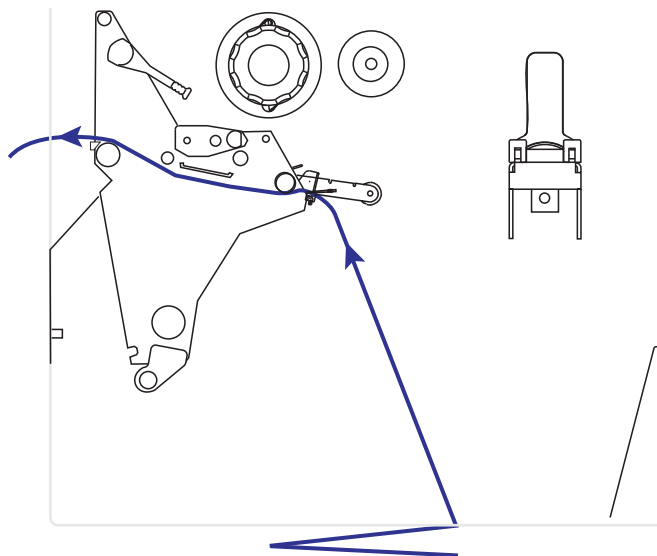
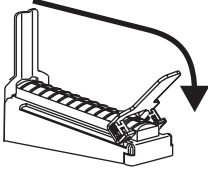
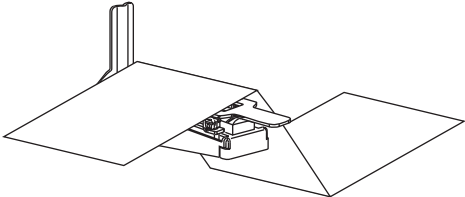
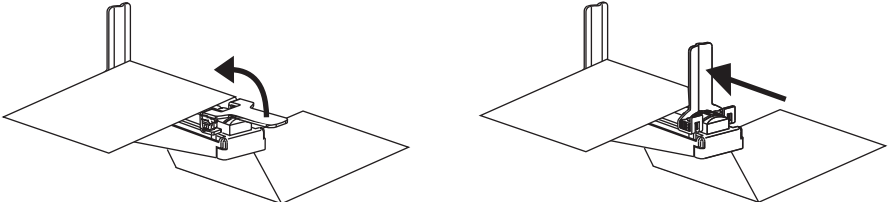


Figure 9 • Bottom Feed Without Using Media Supply Hanger



To load fanfold media, complete these steps:

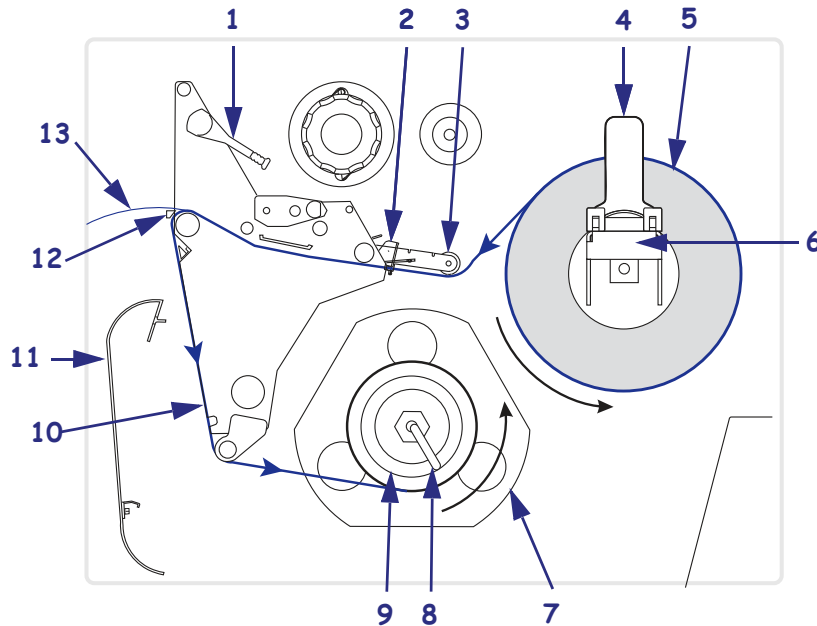
1. Thread the fanfold media through the rear or bottom access slot.
2. Do you wish to use the media supply guide?

If...	Then...
No	Continue with the media loading procedure for the desired print mode.
Yes	<p data-bbox="529 493 1112 525">a. Slide out and flip down the media supply guide.</p>  <p data-bbox="529 720 1112 751">b. Drape the media over the media supply hanger.</p>  <p data-bbox="529 982 1412 1050">3. Flip up the media supply guide, and then slide it in until it touches the edge of the media.</p> 

Load Media in Peel-Off Mode

Peel-Off mode (Figure 19) advances one label at a time. The printer does not print another label until the first label is removed. The TAKE LABEL light flashes until the label is removed. The backing is wound on the rewind spindle, but the rewind plate is not used.

Figure 19 • Media Loaded in Peel-Off Mode



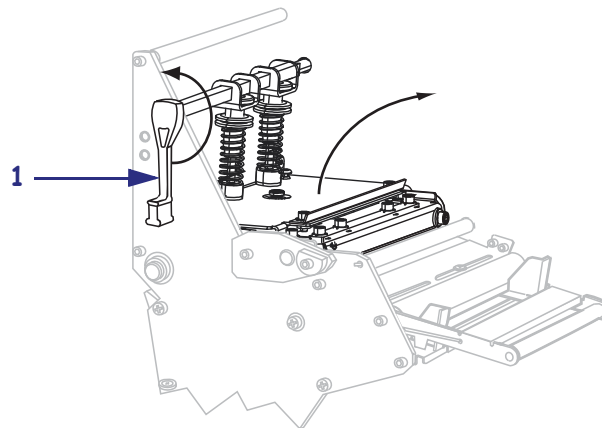
1	Printhead-open lever
2	Media guide
3	Media guide roller
4	Media supply guide
5	Media
6	Media supply hanger
7	Guide plate
8	Spindle hook
9	Rewind spindle
10	Label backing
11	Rewind plate (removed)*
12	Tear-off bar
13	Printed label

* In new printers, remove the protective plastic covering from the rewind plate before using.

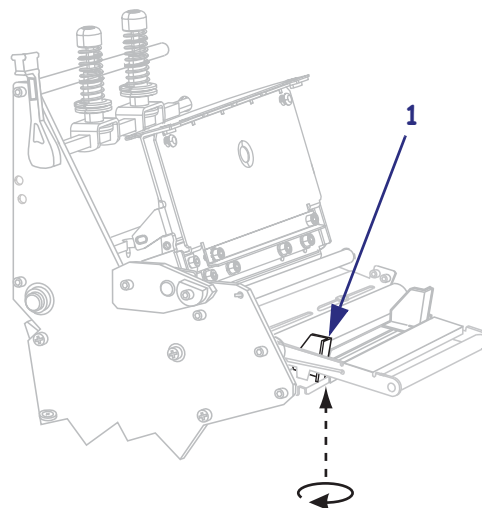
Caution • While performing any tasks near an open printhead, remove all rings, watches, hanging necklaces, identification badges, or other metallic objects that could touch the printhead. You are not required to turn off the printer power when working near an open printhead, but Zebra recommends it as a precaution. If you turn off the power, you will lose all temporary settings, such as label formats, and you must reload them before you resume printing.

To set up the printer in Peel-Off mode, complete these steps:

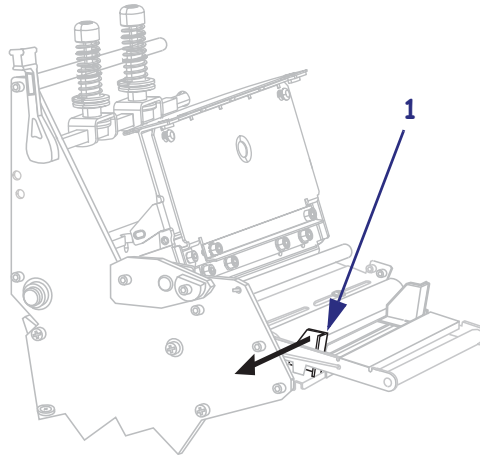
1. Remove the rewind plate (if installed) from the front of the printer. Store it on the two mounting screws on the inside of the control panel. See [Figure 23, Rewind Plate, on page 128](#) for more information.
2. Set the printer to Peel-Off mode. See [Select Print Mode on page 73](#) for instructions.
3. Insert media into the printer. See [Prepare the Media for Loading on page 40](#) for instructions.
4. Open the printhead assembly by rotating the printhead-open lever (1) counter-clockwise.



5. Loosen the thumb screw (not visible from this angle) that is located on the bottom of the outer media guide (1).



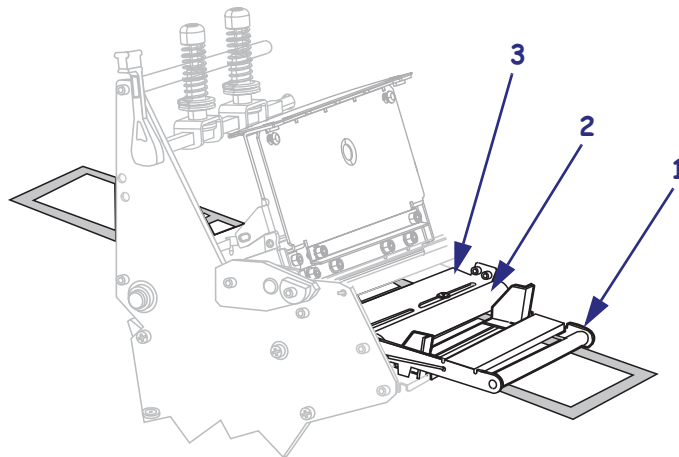
6. Slide the outer media guide (1) all the way out.



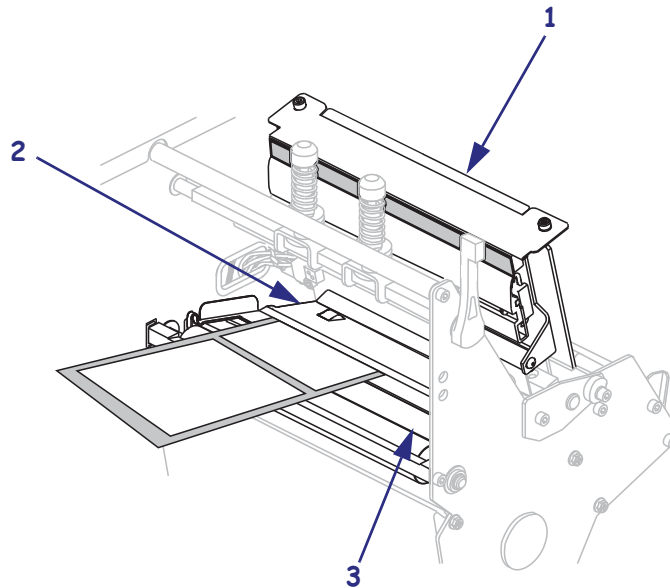
7. If your printer includes a media dancer assembly (1), thread the media under the media dancer assembly roller. For all printers, thread the media under the media guide roller (2) and then the upper media sensor (3).



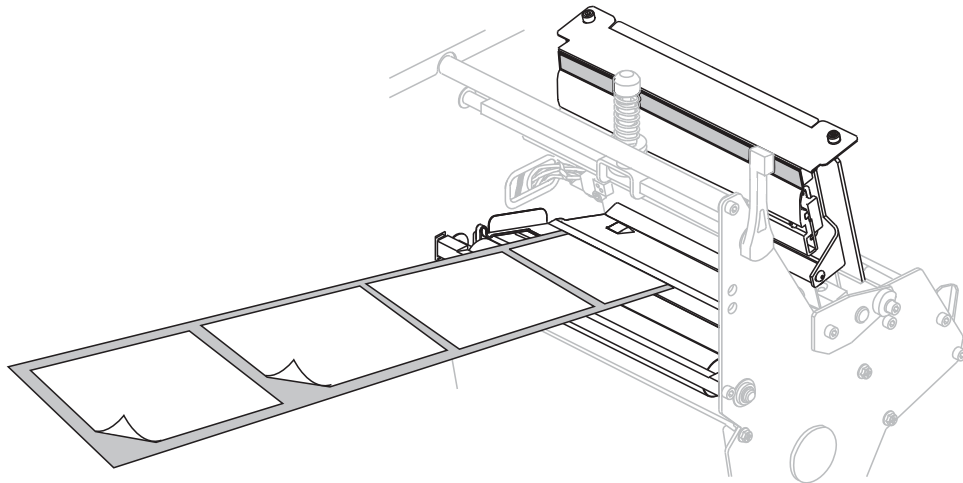
Important • Make sure that you thread the media under these components. If you thread the media over the them, the media obstructs the ribbon sensor and causes a false **RIBBON OUT** error.



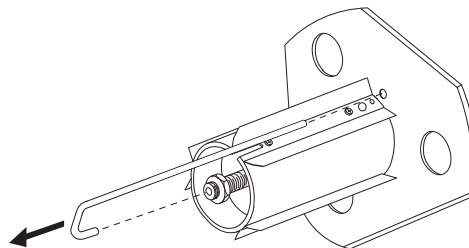
8. Push the media forward until it passes under the printhead assembly (1), under the snap plate (2), and then over the platen roller (3).



9. Extend approximately 36 in. (920 mm) of media out of the printer. Remove and discard the labels from this exposed media.



10. Remove the hook from the rewind spindle.

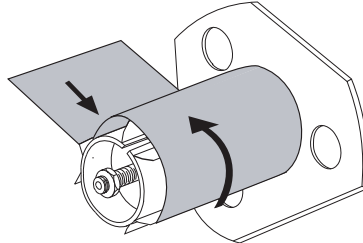


11. If you are using a core, slide it onto the rewind spindle until it is flush against the guide plate.

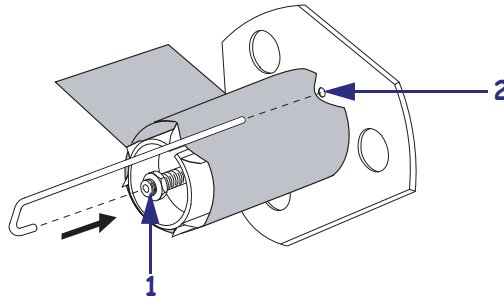


Note • A core is not required.

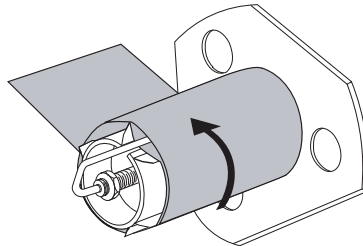
12. Wind the media liner counterclockwise around the rewind spindle.



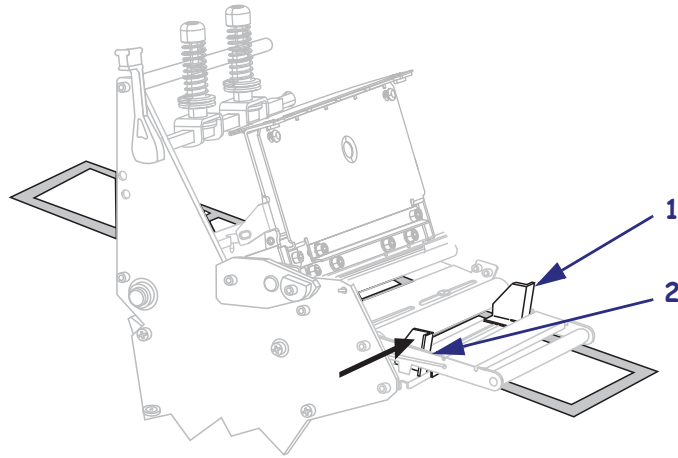
- a. Reinstall the hook. Insert the short end of the hook into the hole in the center of the adjusting nut (1). Insert the long end of the hook into the small hole on the guide plate (2).



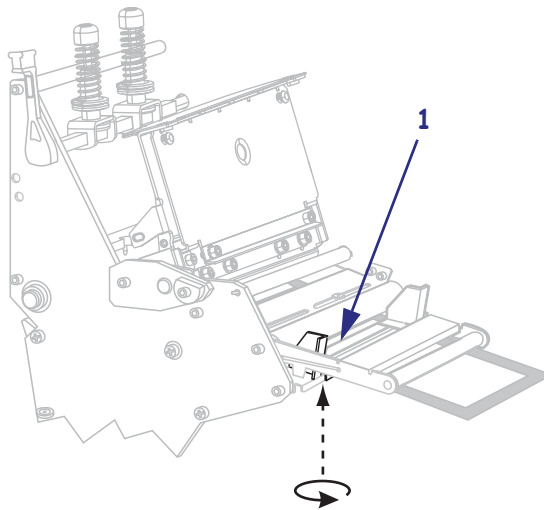
- b. Rotate the spindle counterclockwise several turns to wind the media liner over the hook and remove any slack.



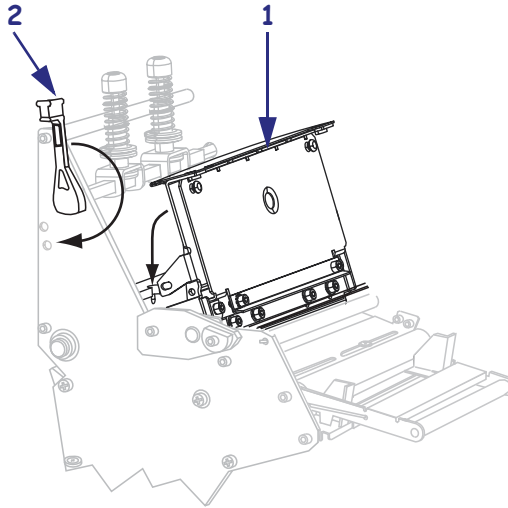
13. Align the media with the inner media guide (1). Slide in the outer media guide (2) until it just touches the edge of the media.



14. Tighten the thumb screw (not visible from this angle) that is located on the bottom of the outer media guide (1).



15. Push down the printhead assembly (1), and then rotate the printhead-open lever (2) clockwise until it locks into place.



The backing winds on the rewind spindle or core.

16. For instructions for removing the backing from the rewind spindle, see [Remove Media Liner from the Rewind or Peel Spindle](#) on page 129.