

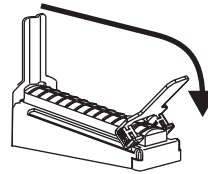
## Prepare the Media for Loading

You can use roll media or fanfold media in your printer. Roll media hangs on and is loaded from the media supply hanger. Fanfold media is stored away from or in the bottom of the printer and can drape across the media supply hanger.

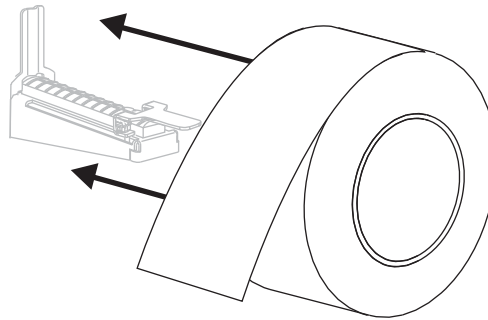
### Roll Media

To place roll media on the media supply hanger, complete these steps:

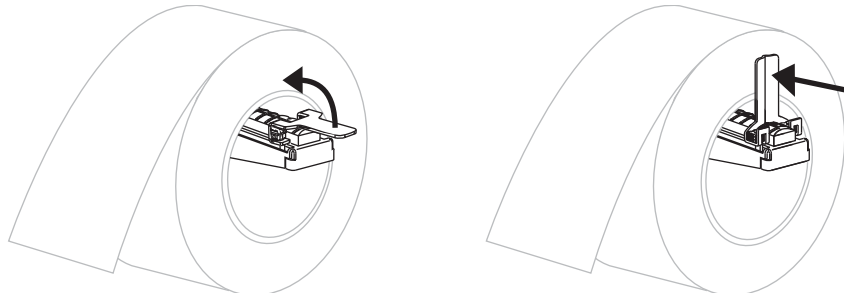
1. Slide out and flip down the media supply guide.



2. Place the roll of media on the media supply hanger. Push the roll back as far as it will go.



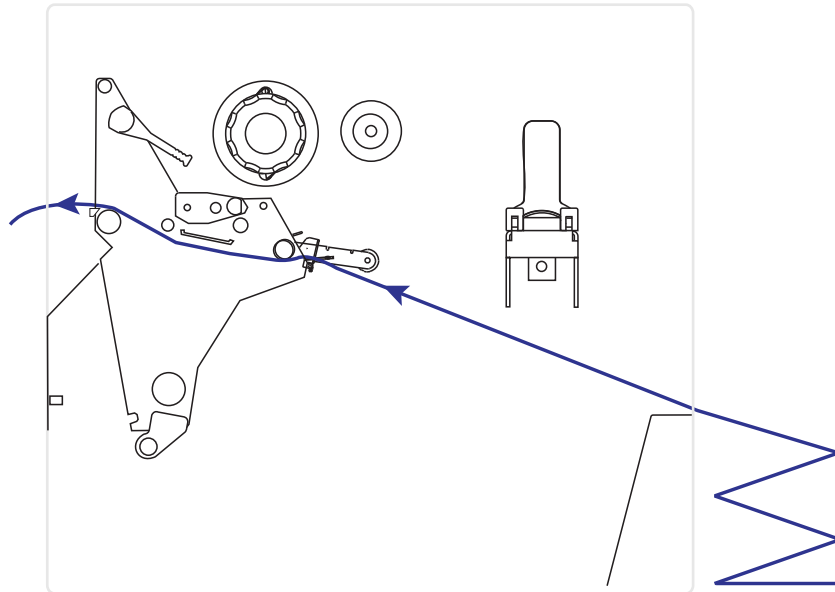
3. Flip up the media supply guide, and then slide it in until it touches the edge of the roll.



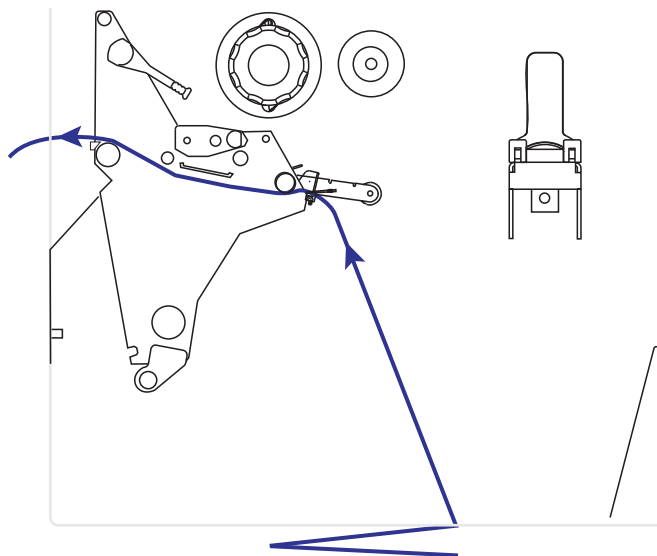
## Fanfold Media

You can load fanfold media through the rear access slot or through the bottom access slot. Using the media supply hanger is optional.

**Figure 8 • Rear Feed Using Media Supply Hanger**

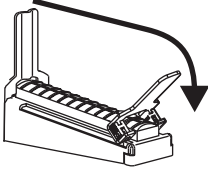
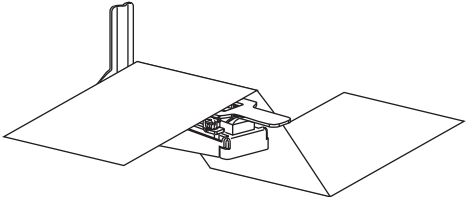
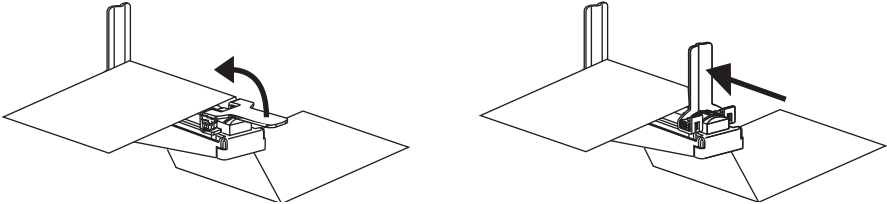


**Figure 9 • Bottom Feed Without Using Media Supply Hanger**



**To load fanfold media, complete these steps:**

1. Thread the fanfold media through the rear or bottom access slot.
2. Do you wish to use the media supply guide?

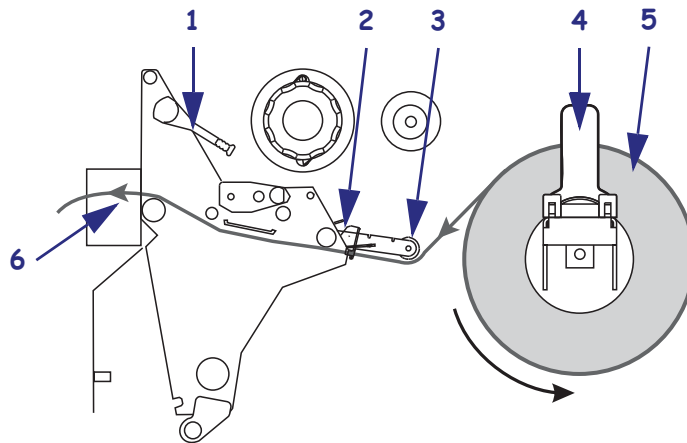
If...	Then...
No	Continue with the media loading procedure for the desired print mode.
Yes	<p data-bbox="529 493 1112 525"><b>a.</b> Slide out and flip down the media supply guide.</p>  <p data-bbox="529 720 1112 751"><b>b.</b> Drape the media over the media supply hanger.</p>  <p data-bbox="529 987 1412 1050"><b>3.</b> Flip up the media supply guide, and then slide it in until it touches the edge of the media.</p> 

## Load Media in Cutter Mode

A cutter is a rotating knife with a self-sharpening blade that is attached to the front of the printer. The cutter is used to cut individual labels as they are printed.

Figure 20 shows the printer loaded with labels in Cutter mode.

Figure 20 • Media Loaded in Cutter Mode



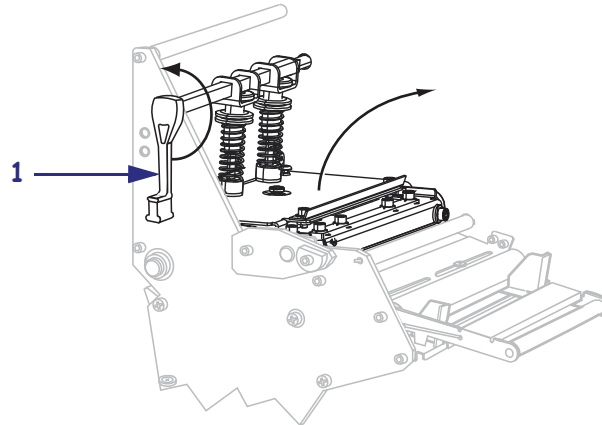
1	Printhead-open lever
2	Media guide
3	Media guide roller
4	Media supply guide
5	Media
6	Cutter

**Caution** • While performing any tasks near an open printhead, remove all rings, watches, hanging necklaces, identification badges, or other metallic objects that could touch the printhead. You are not required to turn off the printer power when working near an open printhead, but Zebra recommends it as a precaution. If you turn off the power, you will lose all temporary settings, such as label formats, and you must reload them before you resume printing.

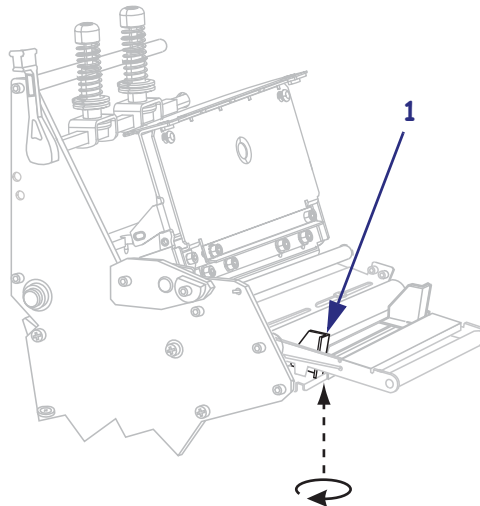
### To set up the printer in Cutter mode, complete these steps:

1. Set the printer to Cutter mode. See [Select Print Mode on page 73](#) for instructions.
2. Insert media into the printer. See [Prepare the Media for Loading on page 40](#) for instructions.

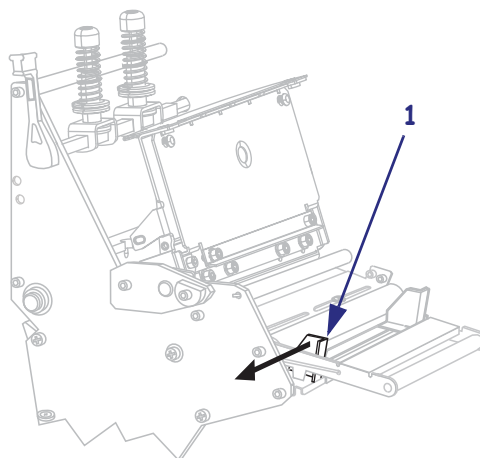
3. Open the printhead assembly by rotating the printhead-open lever (1) counter-clockwise.



4. Loosen the thumb screw (not visible from this angle) that is located on the bottom of the outer media guide (1).



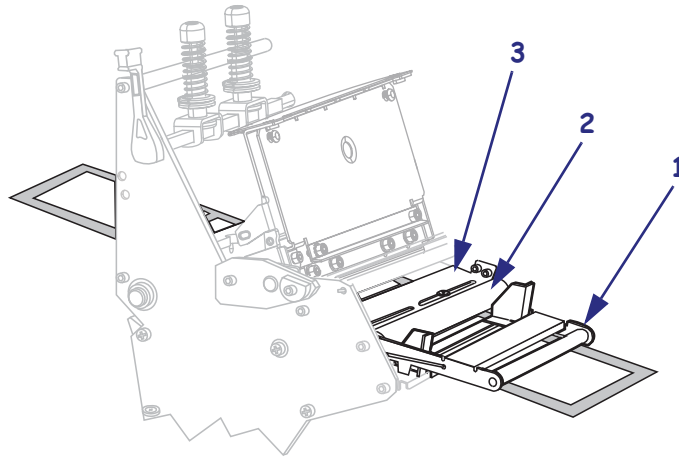
5. Slide the outer media guide (1) all the way out.



6. If your printer includes a media dancer assembly (1), thread the media under the media dancer assembly roller. For all printers, thread the media under the media guide roller (2) and then the upper media sensor (3).

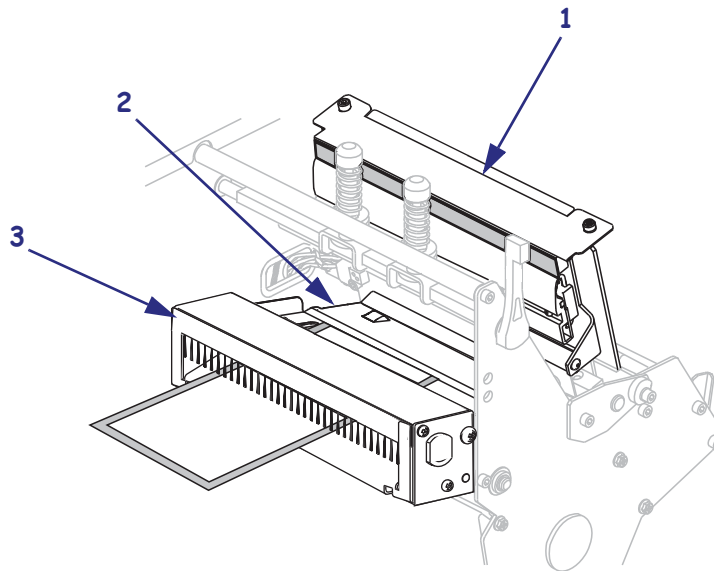


**Important** • Make sure that you thread the media under these components. If you thread the media over the them, the media obstructs the ribbon sensor and causes a false **RIBBON OUT** error.

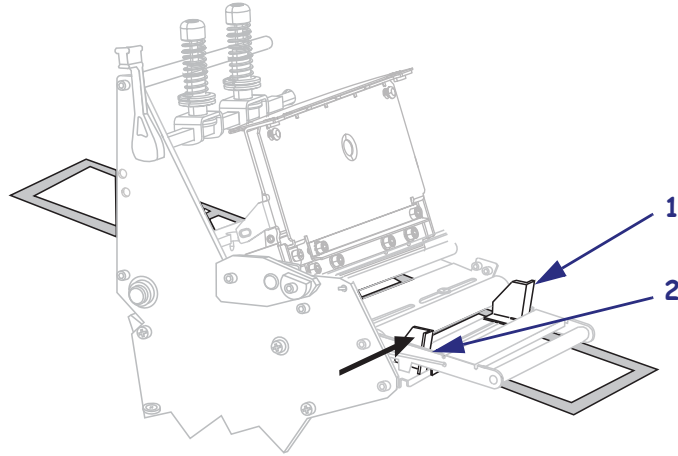


7. **Caution** • The cutter blade is sharp. Do not touch or rub the blade with your fingers.

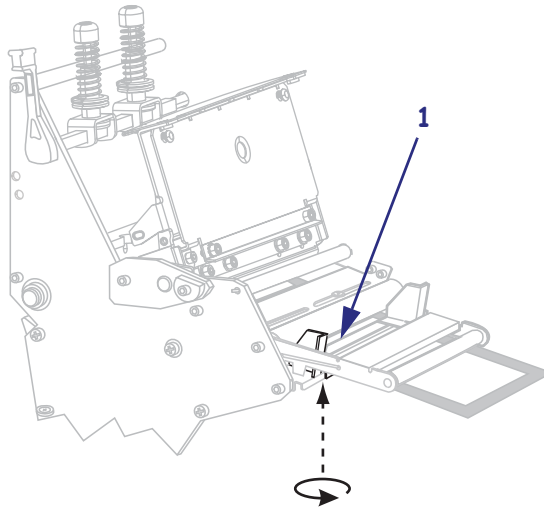
Thread the media forward until it passes under the printhead assembly (1), under the snap plate (2), and through the cutter assembly (3).



8. Align the media with the inner media guide (1). Slide in the outer media guide (2) until it just touches the edge of the media.



9. Tighten the thumb screw (not visible from this angle) that is located on the bottom of the outer media guide (1).



10. Push down the printhead assembly (1), and then rotate the printhead-open lever (2) clockwise until it locks into place.

