

External 10/100 PS

This section provides you with an illustration of the external 100 PS and the steps required for its installation.

Before you begin



Important • Before you install the external 100 PS, you might need to upgrade your printer firmware.

To upgrade your printer firmware, complete these steps:

1. If your printer has firmware x.12 firmware, you **must** upgrade your printer firmware to version 60.13.x or higher.
2. To upgrade your firmware, either:
 - retrieve it from this CD
 - for the most current version of firmware visit the Zebra Web site
3. Confirm that the upgrade was successful:

If...	Then...
Your printer has an LCD	Look at the lower right hand corner and confirm the version of firmware that is on your printer.
Your printer does not have an LCD	Print out a configuration label to see the version of firmware that is on your printer.

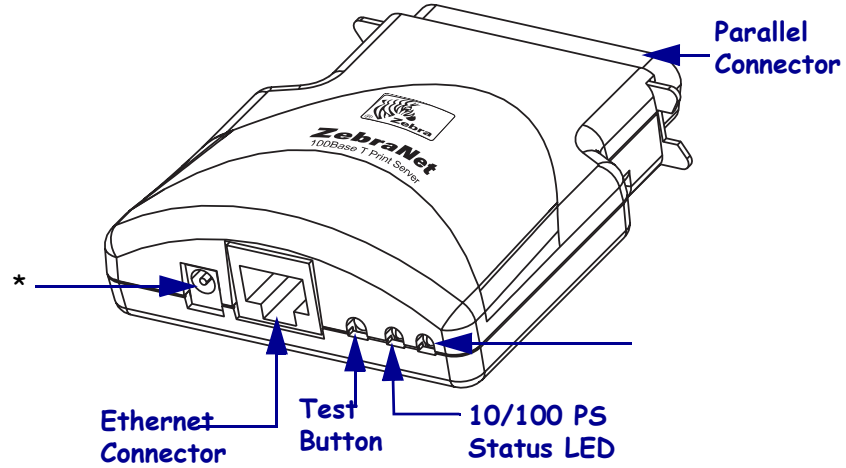
Illustration

This illustration shows an external 100 PS. The callouts identify the important components:



Important • The * callout indicates a feature that is not supported on this release. The connector (*) is covered on the current 100 PS units.

Figure 24 • External 100 PS

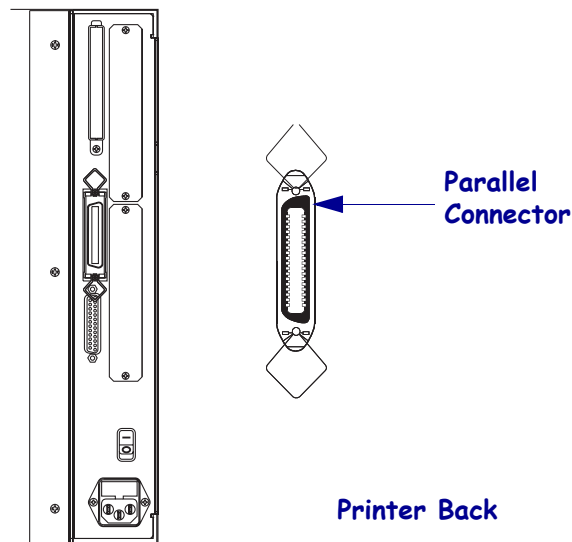


Note • When necessary, refer back to this illustration during the installation steps.

To install an external 10/100 PS, complete these steps:

1. Turn off (O) the printer.
2. On the back of the printer, connect the 100 PS device into the parallel port.
 This illustration calls out the location and provides an enlarged illustration of the parallel port:

Figure 25 • Rear of Printer



3. Secure the wire locks.

4. On the back of the 100 PS, connect an active ethernet cable to the RJ-45 connector Ethernet connector.

5. Turn on (I) the printer.

The 100 PS performs a Power On Self Test (POST). This takes about 45 seconds. During the POST, the 100 PS Status LED (just below the TEST button) turns red and flashes on and off. Once the POST is successfully completed and the 100 PS is fully initialized, the 100 PS Status LED turns green.

For more details on status indicators, see [10/100 PS Status Indicator on page 108](#).



Note • If there is not an active Ethernet cable attached to the 100 PS, the LED indicator turns green and rapidly flashes on and off.

6. To check the status of the 100 PS, press the Test button located on the back of the 100 PS. This prints out a configuration label of the 100 PS.

This table shows you how to determine the minimum label width needed to print a 100 PS configuration label:

Table 1 • Label Width

DPI	Inches	MM
600	1.25	31.75
300	2.50	63.50
200	3.69	93.73
150	5.0	127.00

This is an example of a 100 PS configuration label.

Figure 26 • 100 PS Configuration Label

```

TCP/IP
  ENABLED
  10.3.5.74
  255.255.255.0
  10.3.5.1
  Enabled
  STATUS
  ADDRESS
  SUBNET MASK
  DEFAULT GATEWAY
  TIMEOUT CHECKING

NETWARE
  DISABLED
  STATUS
  FRAME FORMAT
  MODE

GENERAL
  2279500
  00074D22C84C
  1.00
  SERIAL NUMBER
  HARDWARE ADDRESS
  FIRMWARE VERSION

ERROR
  None
  None
  None
  GENERAL
  TCP/IP
  NETWARE

JET ADMIN
  ENABLED
  STATUS

PORT CONFIGURATION
  Online
  Enabled
  ZTC 140XiIIIPlus-200dpi
  None
  PORT NAME
  PRINTER STATUS
  BIDIRECTIONAL
  CONNECTED TO
  ERROR

ZebraNet™ PRINT SERVER CONFIGURATION
FIRMWARE IN THIS PRINTER IS COPYRIGHTED
    
```