



S4M Peel Option Kit

Installation Instructions

This kit includes the parts and documentation necessary to install the Peel Option into the Zebra S4M™ printer. Read these instructions thoroughly before attempting to install this kit.



Caution • Turn off (O) the printer and disconnect it from the power source before performing the following procedure.

Prepare for Installation

Parts List

Before proceeding, verify that your kit contains the items for your printer listed below.

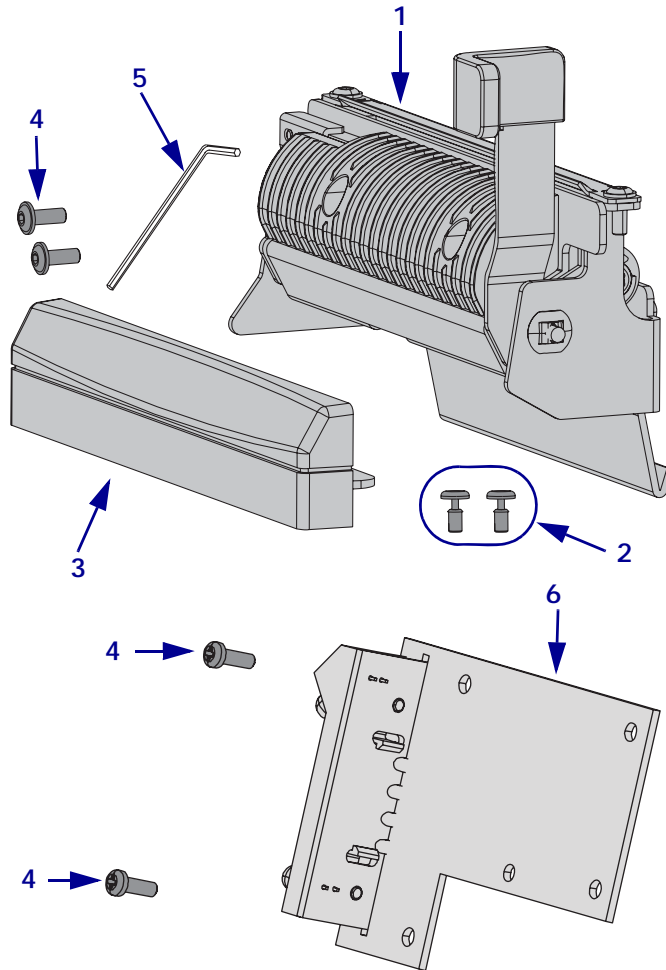
Table 1 • Kit Parts List

✓	Item	Qty	Part Number	Description
	Ref	1	G20046	Peel Option Kit
	1	1	<i>78002</i>	Peel Assembly
	2	2	<i>29300</i>	Push Rivet
	3	1	<i>20039</i>	Lower Front Panel Peel
	4	4	<i>20113</i>	Mounting Screw
	5	1	<i>30449</i>	2 mm Hex Key (Allen wrench)
	6	1	<i>20065</i>	Take Label Sensor

Bold = Part available for purchase.
Italic = Part not available for purchase, listed and shown for reference only.



Figure 1 • Kit Contents



Reference Materials

The following manuals and CDs may be helpful references while performing this procedure.

- S4M User Guide
- S4M User Guide CD
- S4M Maintenance Manual (contact your authorized Zebra reseller for purchasing information)
- S4M Maintenance Manual CD

Tools Required



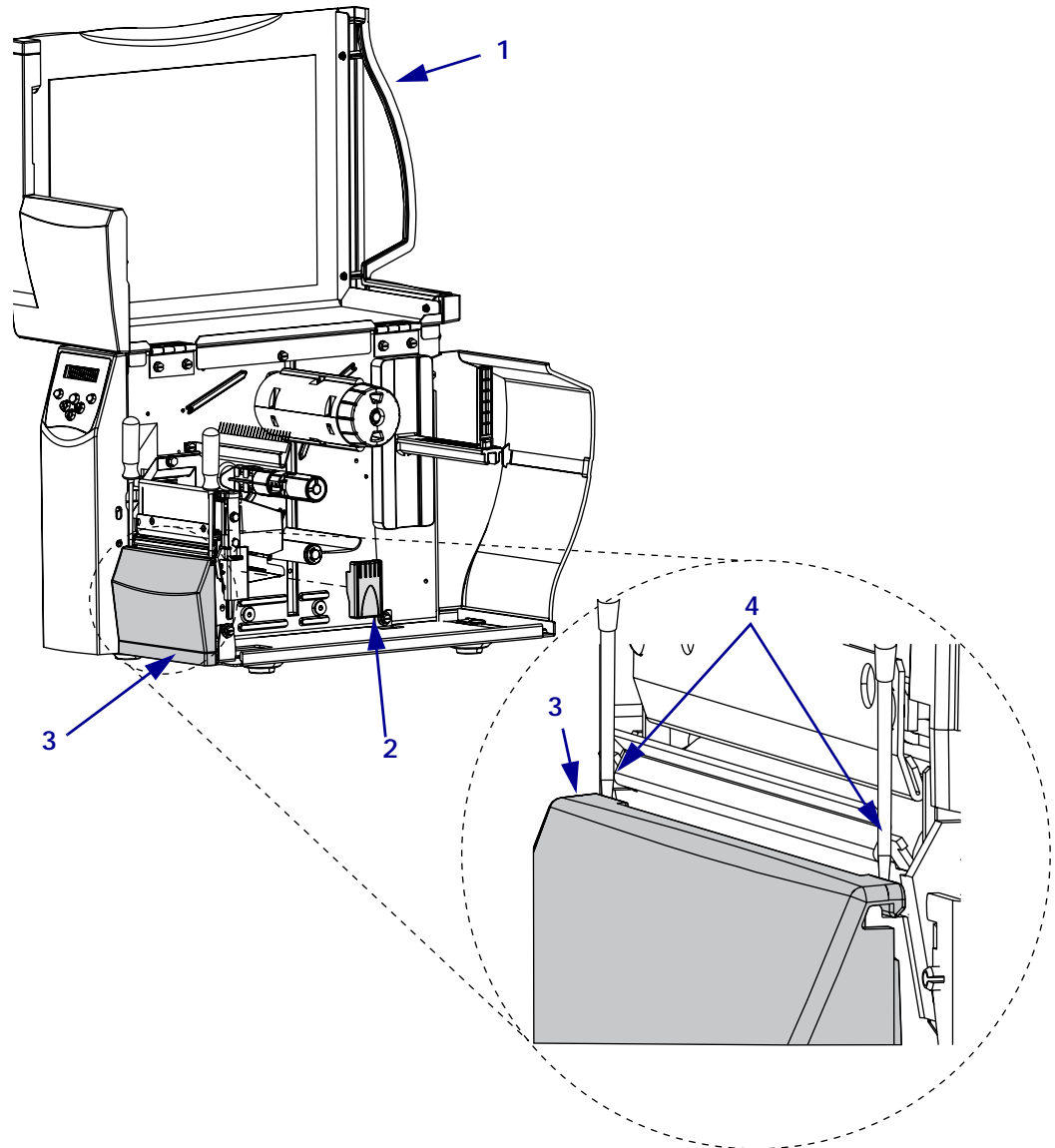
Tools • You need these tools to complete this procedure:

- Phillips Screwdriver Set
- Flat-Blade Screwdriver Set
- Metric Hex Key (Allen Wrench) Set

Remove the Front Cover

1. Turn off (O) the printer and remove the AC power cord and data cables.
2. Open the media door and remove the media and ribbon.
3. See [Figure 2](#). Carefully remove the latch cover.
4. Using a small flat-blade screwdriver, pry the front cover off.

Figure 2 • Remove the Latch and Front Covers



1	Media door
2	Latch cover
3	Front cover
4	Use flat-blade screwdriver here

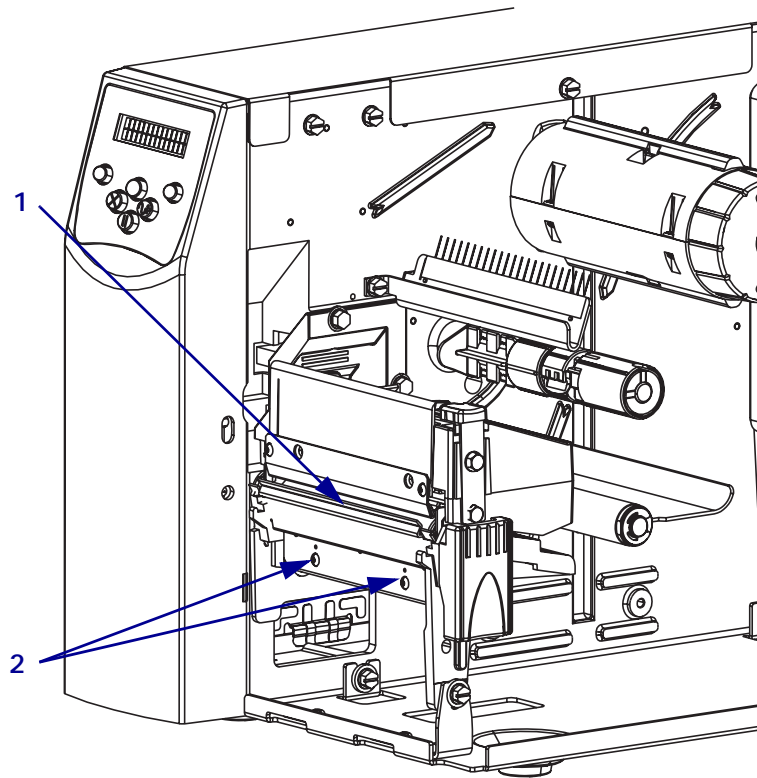
5. Reinstall the latch cover.
6. Do you have an existing peel option?

If...	Then...
No	Continue to next step.
Yes	Go to <i>Remove the Peel Assembly on page 5.</i>

Remove the Tear Bar

1. See [Figure 3](#). Remove the two tear bar mounting screws.

Figure 3 • Remove the Tear Bar



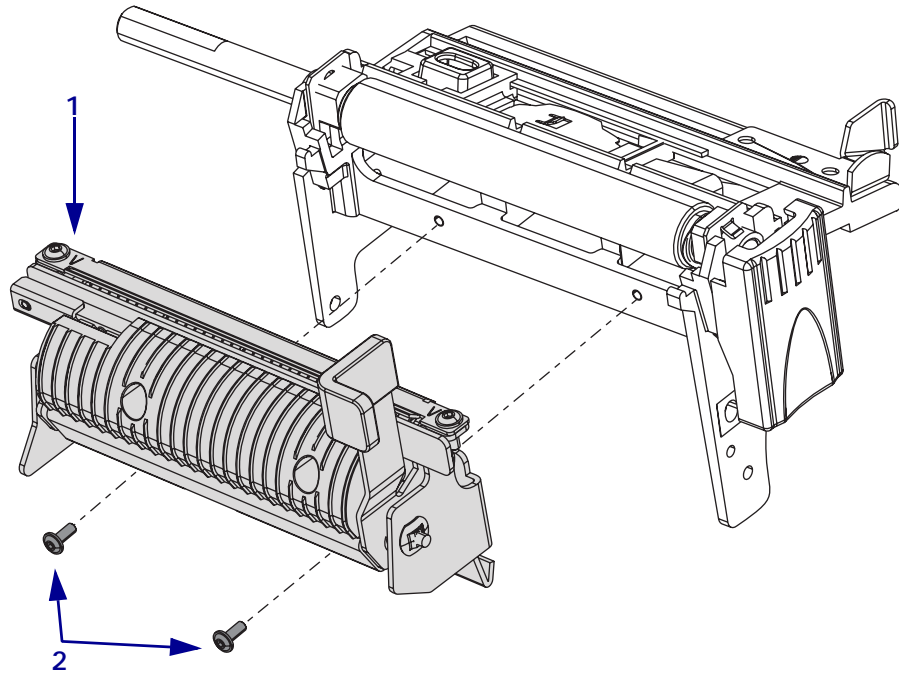
1	Tear bar
2	Mounting screws (2)

2. Remove and discard the tear bar.
3. Go to *Install the Peel Assembly on page 6.*

Remove the Peel Assembly

1. See [Figure 4](#). Remove the two mounting screws and then remove the peel assembly.

Figure 4 • Remove Old Peel Assembly

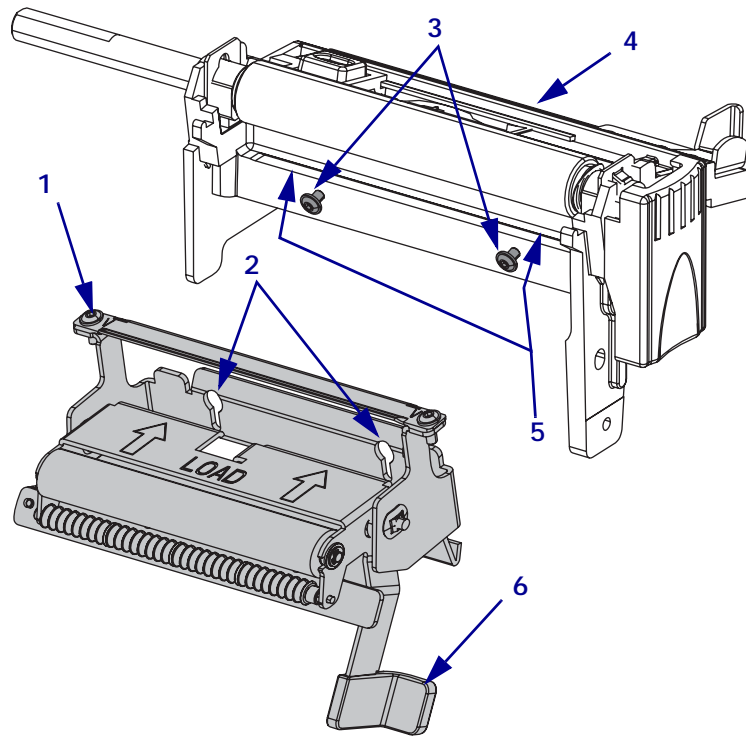


1	Peel assembly
2	Mounting screws (2)

Install the Peel Assembly

- See [Figure 5](#). Using the hex key (Allen wrench) supplied, install the two mounting screws from the kit into the tear bar mounting screw holes.
Tighten them to within 1/8 in. of the platen housing.

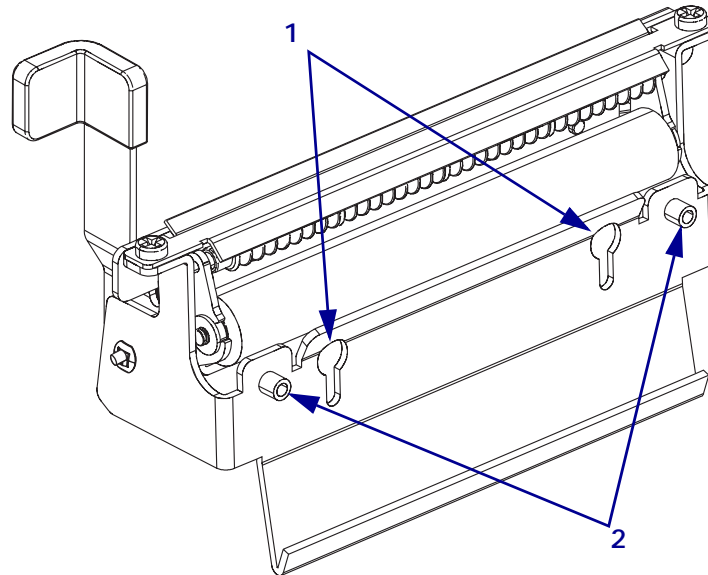
Figure 5 • Install Peel Assembly



1	Peel assembly
2	Mounting slots (2)
3	Mounting screws (2)
4	Platen housing
5	Rest pems on housing here
6	Peel lever

2. See [Figure 6](#). Notice the pems and the mounting slots.

Figure 6 • Rear View of Peel Assembly



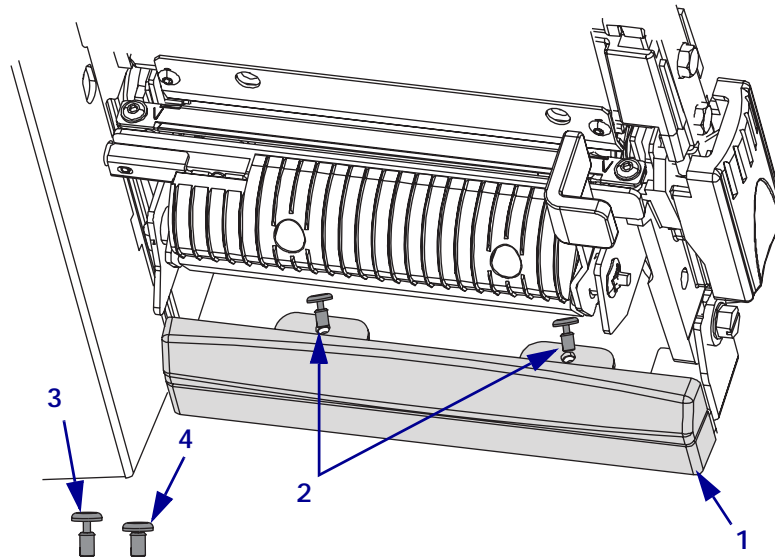
1	Mounting slots (2)
2	Pems (2)

3. See [Figure 5 on page 6](#). Install the peel assembly with the pems to the rear and the opening in the mounting slot to the top.
- Insert the mounting slot opening over the two screws and lift up on the assembly.
 - Now, push the assembly back against the vertical surface of the platen housing, then down, so that the pems are resting on the horizontal surface of the platen housing.
4. Maintain a slight pressure downward on the peel assembly to keep the pems on the horizontal surface, and tighten the mounting screws.

Install the New Front Cover

1. See [Figure 7](#). Insert the front cover mounting tabs through the mounting holes in the base.
2. Install the two rivets through the two tabs and into the base mounting holes.

Figure 7 • Install the Front Cover



1	Front cover
2	Push rivets (2)
3	Rivet open
4	Rivet closed

3. Reinstall the media and ribbon.
4. Reinstall the AC power cord and data cables.
5. Turn on (I) the printer.

Remove the Electronics Cover



Note • Retain all parts removed during disassembly, unless otherwise directed.

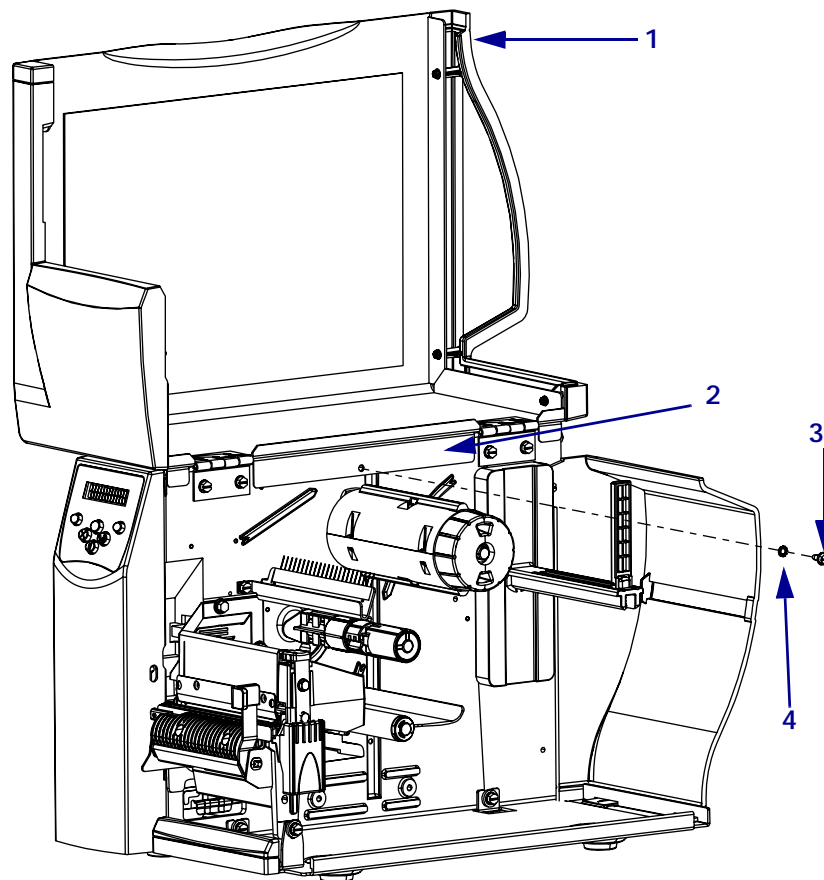


1. **Caution** • Turn off (O) the printer and disconnect it from the power source before performing the following procedure.

Turn off (O) the printer and disconnect the AC power cord and all data cables.

2. See [Figure 8](#). Remove the electronics cover mounting screw and washer and then close the media door.

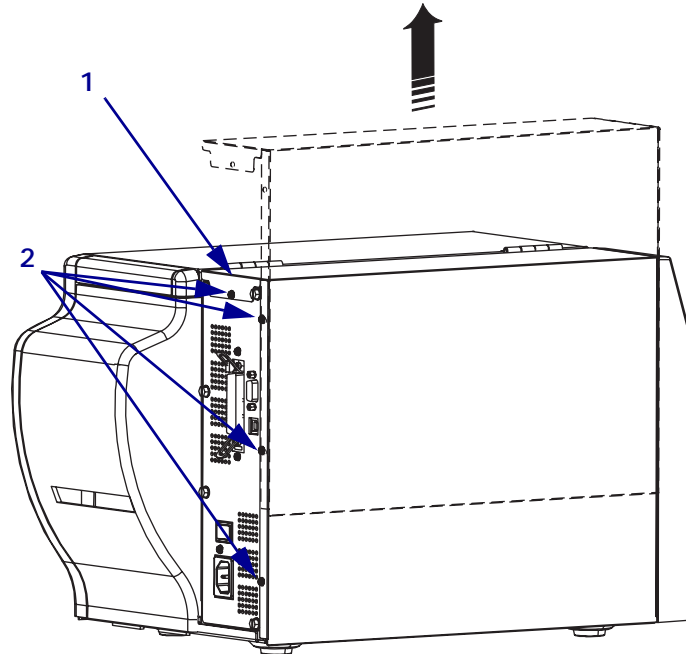
Figure 8 • Remove the Mounting Screw



1	Media door
2	Electronics cover upper flange
3	Electronics cover mounting screw
4	Washer

3. See [Figure 9](#). Remove the four remaining mounting screws securing the electronics cover.
4. Remove the electronics cover by lifting straight up on the bottom lip of the electronics cover.

Figure 9 • Remove the Electronics Cover



1	Electronics cover
2	Mounting screws (4)

Remove the Control Panel



Note • Retain all parts removed during disassembly, unless otherwise directed.

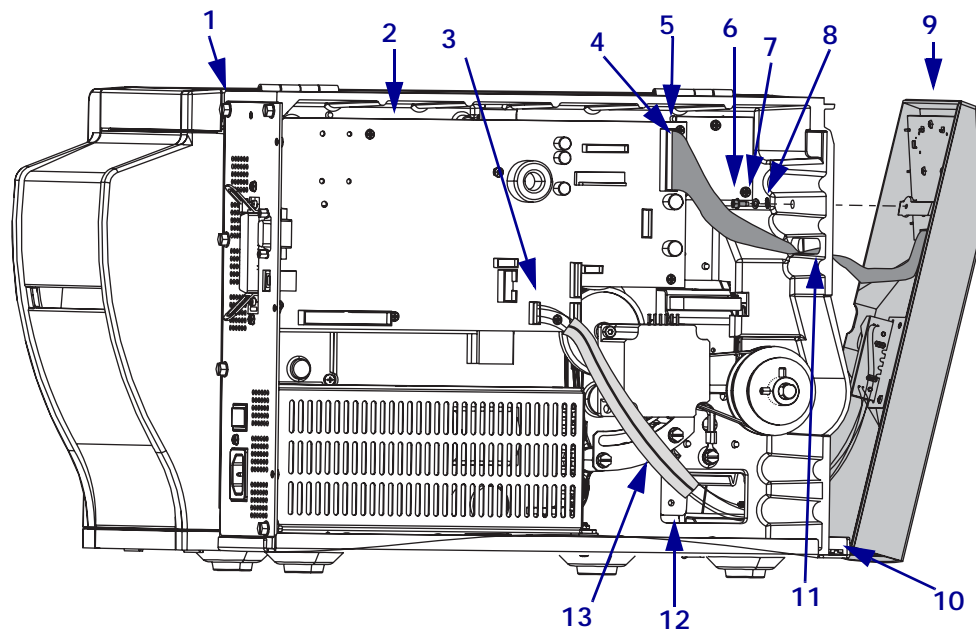


1. **Caution** • Observe proper electrostatic safety precautions when handling static-sensitive components such as circuit boards and printheads.

Connect yourself to an antistatic device.

2. See [Figure 10](#). Disconnect the control panel ribbon cable from J2 on the main logic board (MLB).
3. If installed, remove the take-label sensor cable from J19 on the MLB and then remove it from the conduit.

Figure 10 • Remove and Install the Control Panel



1	Main frame	8	Star washer
2	Main logic board (MLB)	9	Control panel
3	J19, Take-label sensor	10	Tab
4	Control panel cable	11	Cable access hole
5	J2, Control panel	12	Access hole
6	Mounting screw	13	Conduit
7	Split washer		

4. Remove the mounting screw and washers securing the control panel.
5. Tip the top of the control panel away from the main frame enough to release the two tabs inserted into the base mounting slots and then pull it out of the base.

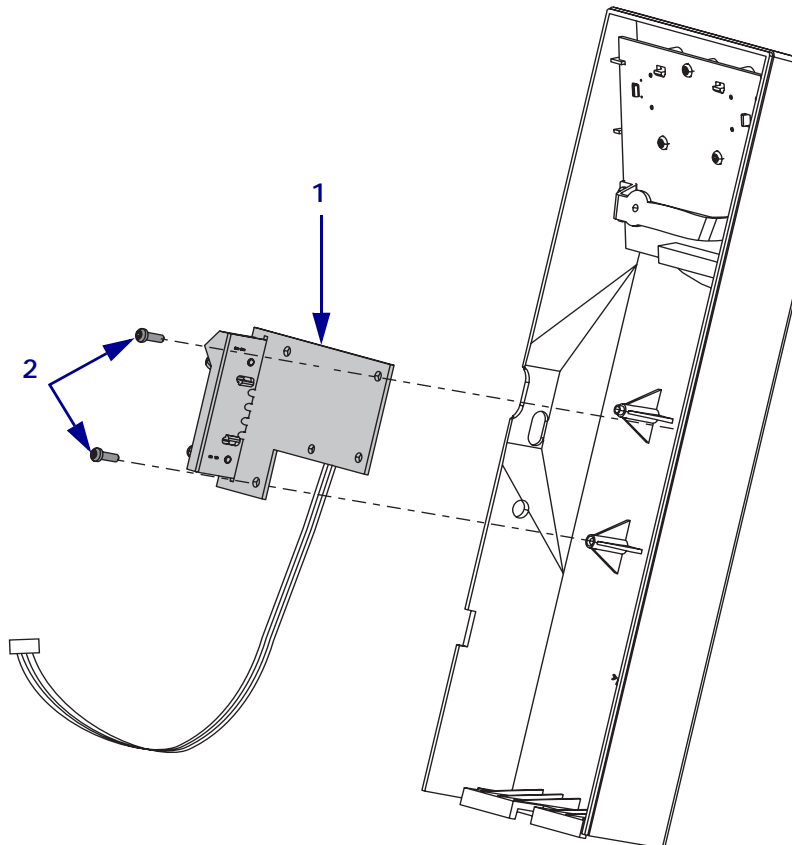
6. Carefully guide the control panel cable and the take-label sensor cable, if installed, through their access holes.
7. Are you replacing a defective take-label sensor?

If...	Then...
Yes	Continue with the next step.
No	Go to <i>Install the Take-Label Sensor Board</i> on page 13.

Remove the Take-Label Sensor Board

1. See [Figure 11](#). Locate the take-label sensor board on the control panel.
2. Remove and discard the mounting screws and then lift the board out of the control panel and discard it.

Figure 11 • Remove and Install the Take-Label Sensor

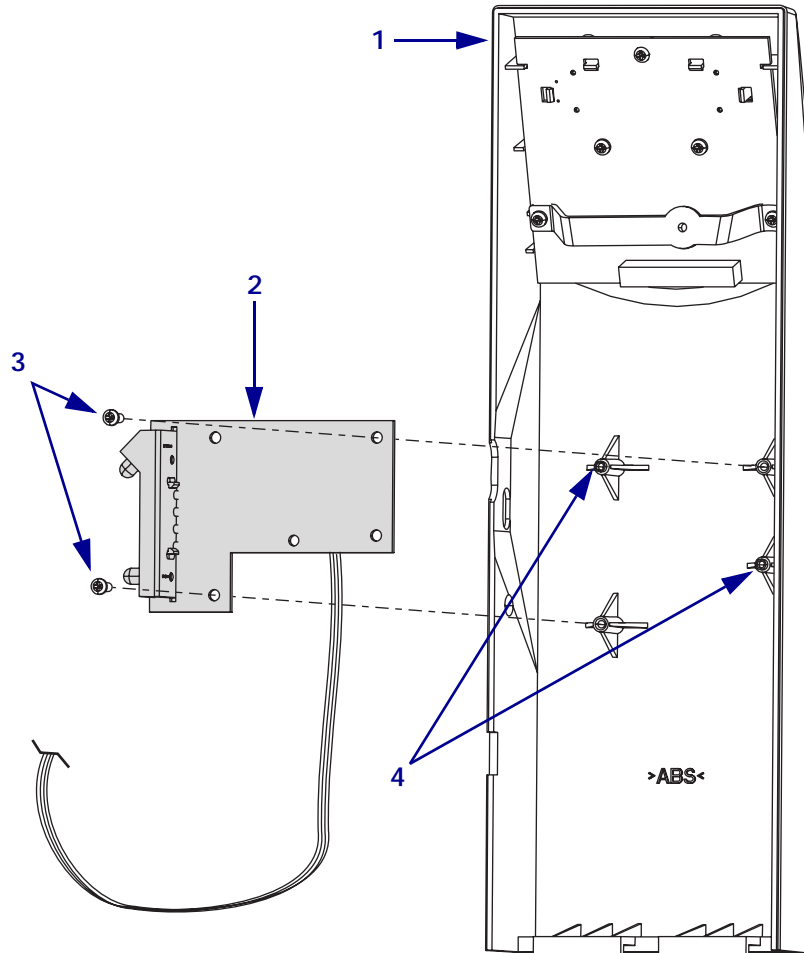


1	Take-label sensor board
2	Mounting screws (2)

Install the Take-Label Sensor Board

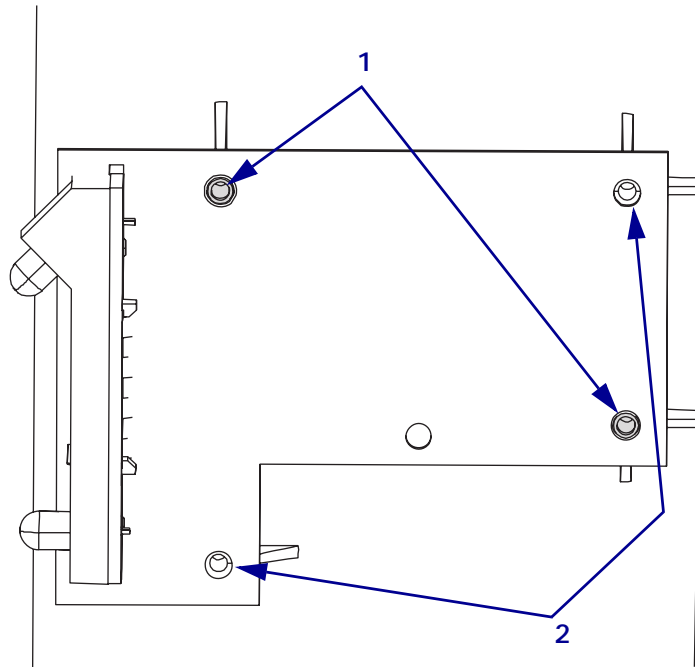
1. See [Figure 12](#) and [Figure 13](#). Align the take-label sensor board with the two guide posts and install it on the posts, ensuring the posts are inserted in the board.

Figure 12 • Install the Take-Label Sensor Board



1	Control panel
2	Take-label sensor board
3	Mounting screws (2)
4	Guide posts (2)

Figure 13 • Install the Take-Label Sensor Board on the Mounting Posts



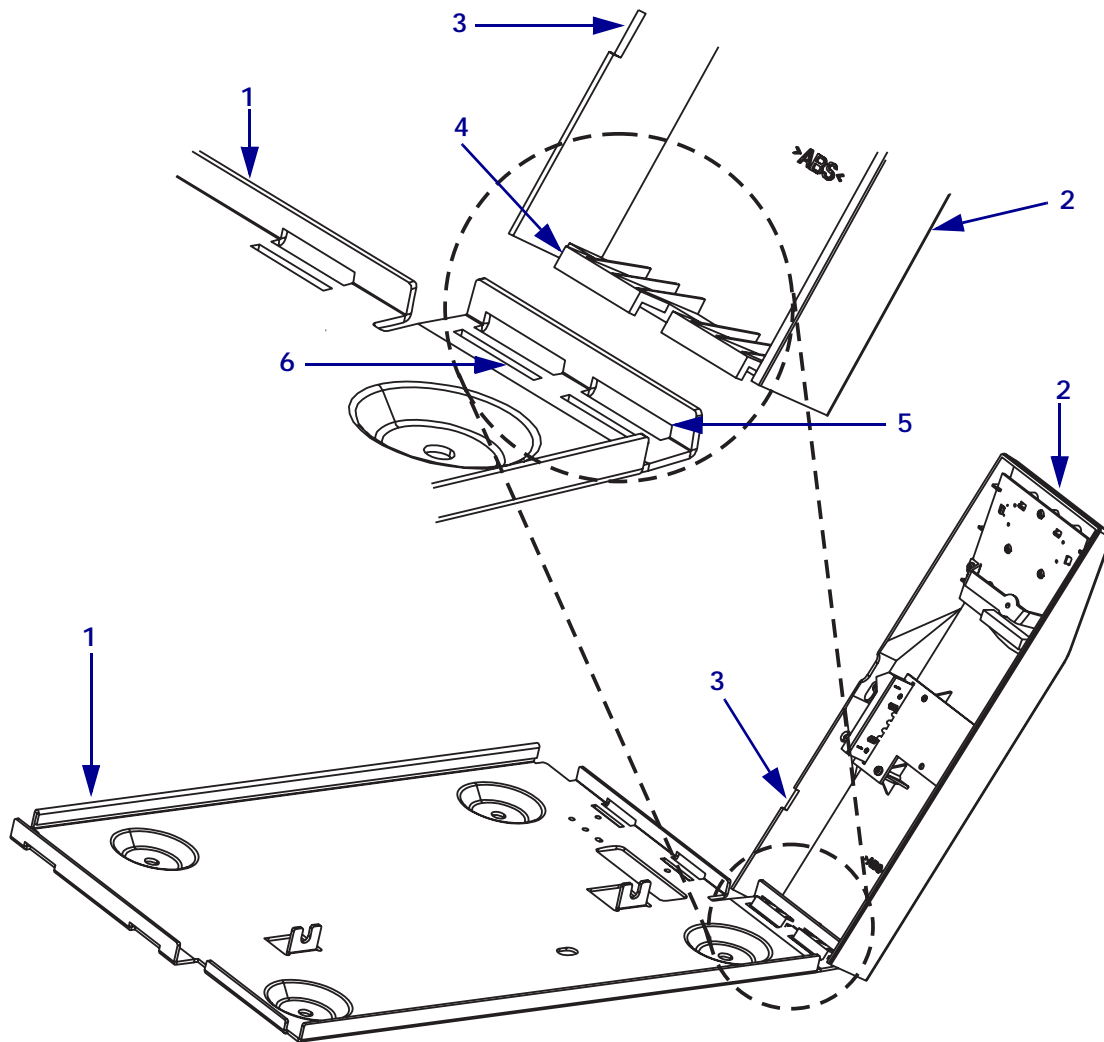
1	Mounting posts (2)
2	Screw holes (2)

2. Install the two mounting screws supplied in the kit.

Reinstall the Control Panel

1. Tip the top of the control panel away from the main frame and insert the two tabs in the mounting slots in the base.

Figure 14 • Install the Control Panel in the Base



1	Base
2	Control panel
3	Notch
4	Tabs (2)
5	Access holes (2)
6	Slots (2)

2. See [Figure 10 on page 11](#). Guide the control panel cable through the access hole in the front of the main frame. Connect it to J2 on the MLB.
3. Guide the take-label sensor cable around and through the lower access hole in the main frame.

4. Route the take-label sensor cable through the conduit and then connect it to J19 on the MLB.
5. See [Figure 14](#). Tip the top of the control panel toward the main frame. Ensure that the take-label sensor cable is in the notch in the control panel and between the main frame and the platen roller housing leg.
6. See [Figure 10 on page 11](#). Install the screw and washer to secure the control panel to the main frame.

Reinstall the Electronics Cover

1. See [Figure 9 on page 10](#). Install the cover by aligning it and sliding down, ensuring that the lower tabs are inside the base and that the upper flanges are between the main frame and the media door.
2. Install the four mounting screws on the back of the printer.
3. See [Figure 8 on page 9](#). Open the media door and install the mounting screw and washer to secure the electronics cover.
4. Reinstall the media and ribbon.
5. Reconnect the AC power cord and data cables.
6. Turn on (I) the printer.

Select the Peel Mode

1. Press **MENU** to enter the Setup Mode.
2. Use the left or right arrow to scroll through the parameters until **REMOVAL** is displayed.
3. Use the up or down arrow until **PEEL** is displayed.
4. Press **MENU**.
The printer displays **SAVE CHANGES** and activates the **ENTER** button.
5. Press **ENTER**.
The printer saves changes and exits Setup mode.