



# S4M 10/100 Internal ZebraNet PrintServer, Wireless Print Server, Parallel Port, and No Comm Option Kits

---

## Installation Instructions

This kit includes the parts and documentation necessary to install the 10/100 internal ZebraNet<sup>®</sup> PrintServer, wireless print server, or parallel port kits into the S4M<sup>™</sup> printer. Read these instructions thoroughly before installing this kit.



---

**Caution** • Turn Off (O) the printer and disconnect it from the power source before performing the following procedure.

---



---

**Caution** • A qualified service technician must perform this installation.

---

## Prepare for Installation

### Parts List

Table 1 • Kit Parts List

✓	Item	Qty	Part Number	Description
	<b>Ref</b>	1	<b>20064M</b>	Wireless PrintServer Maintenance Kit
		2	<b>HW43495</b>	Screw, M3 (sold in quantities of 25)
		1	<i>29881-099</i>	Wireless PC Board
	<b>Ref</b>	1	<b>20037M</b>	Parallel Port Option Maintenance Kit
		2	<b>HW43495</b>	Screw, M3 (sold in quantities of 25)
		1	<i>29831-099</i>	Parallel Port PC Board
		1	<i>20075</i>	Washer, 0.125 × 0.275 × 0.063
	<b>Ref</b>	1	<b>20063M</b>	10/100 Printserver Option Maintenance Kit
		2	<b>HW43495</b>	Screw, M3 (sold in quantities of 5)
		1	<i>29691-099</i>	10/100 Printserver PC Board
		1	<i>20075</i>	Washer, 0.125 × 0.275 × 0.063
	<b>Ref</b>	1	<b>20045M</b>	No Communication Option Kit
		1	<i>29488</i>	Bracket
		2	<b>HW43495</b>	Screw, M3 (sold in quantities of 5)
		2	<b>HW10470</b>	Washer, M3 (sold in quantities of 50)
<b>Bold</b> = Part available for purchase.				
<i>Italic</i> = Part not available for purchase, listed and shown for reference only.				

### Reference Materials

- S4M User CD
- S4M User Guide
- S4M Quick Reference Guide
- S4M Maintenance Manual (contact your authorized Zebra reseller for purchasing information).

### Tools Required



**Tools** • You need these tools to complete this procedure:

- Phillips Screwdriver Set
- Metric Nutdriver Set
- Anti-Static Wriststrap and Mat

## Remove the Electronics Cover



**Note** • Retain all parts removed during disassembly, unless otherwise directed.

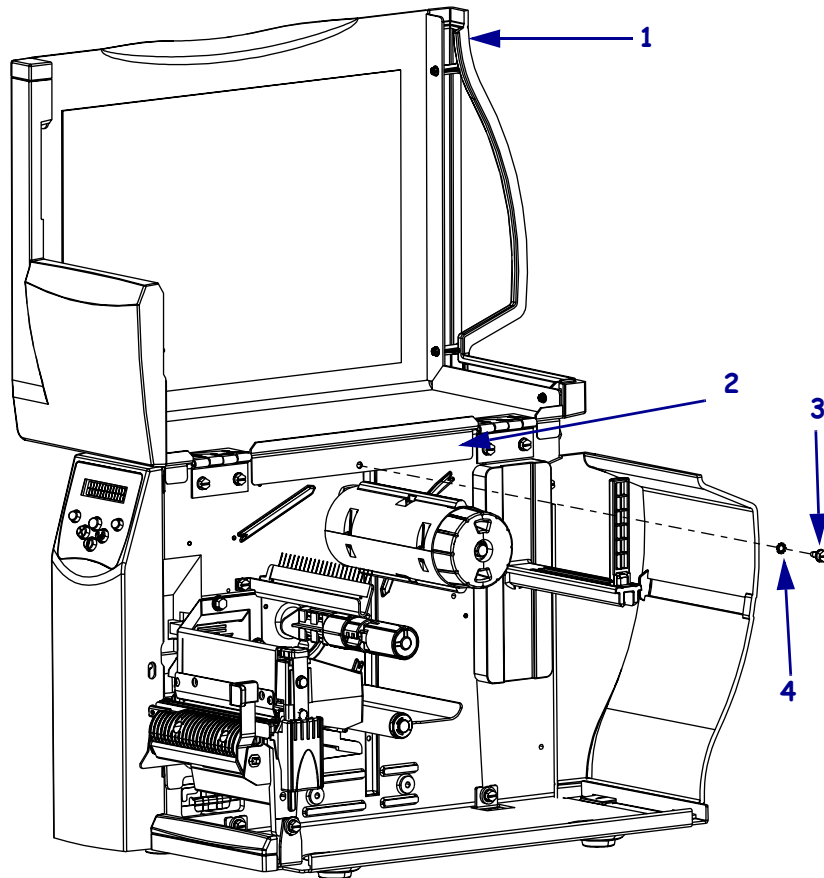


- 1. Caution** • Observe proper electrostatic safety precautions when handling static-sensitive components such as circuit boards and printheads.  

---

Connect yourself to an antistatic device.
- 2.** Turn Off (O) the printer and disconnect the AC power cord and all data cables.
- 3.** See [Figure 1](#). Remove the electronics cover mounting screw and washer and then close the media door.

**Figure 1 • Remove the Mounting Screw**

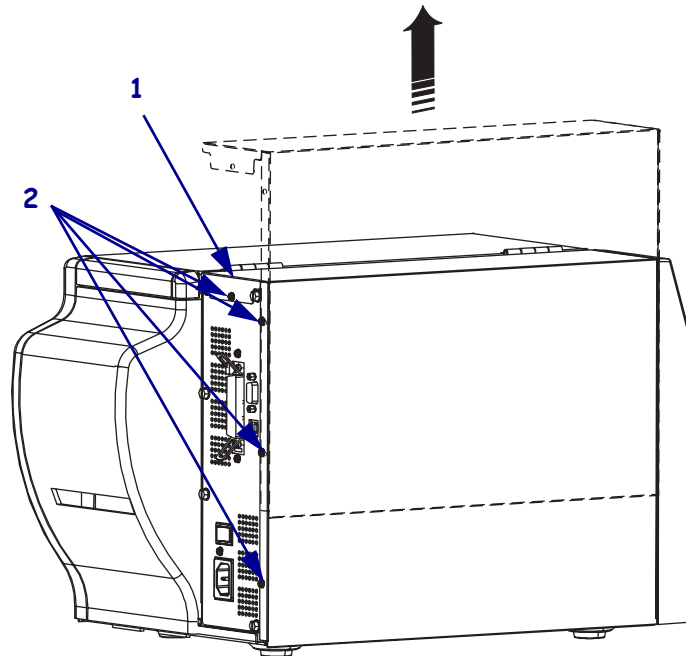


<b>1</b>	Media Door
<b>2</b>	Electronics Cover Upper Flange
<b>3</b>	Electronics Cover Mounting Screw
<b>4</b>	Washer

**4 | Internal ZebraNet PrintServer II, Wireless Print Server, and Parallel Port Option Kits**  
Remove the Electronics Cover

4. See [Figure 2](#). Remove the four remaining mounting screws securing the electronics cover.
5. Remove the electronics cover by lifting straight up on the bottom lip of the electronics cover.

**Figure 2 • Electronics Cover Removal**



<b>1</b>	Electronics Cover
<b>2</b>	Mounting Screws (4)

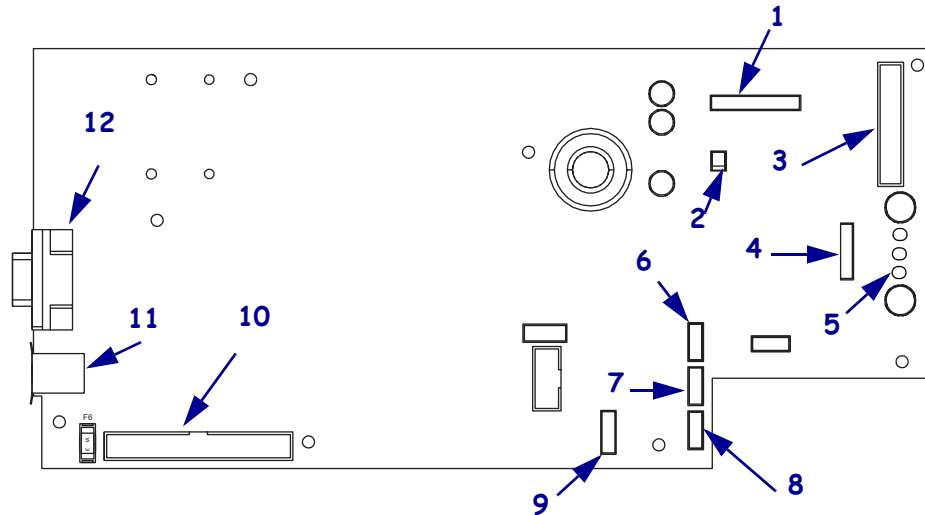
## Remove the Main Logic Board

1. See [Figure 3](#). Remove all cables from the main logic board.



**Note** • Take note of the location of all connectors on the main logic board.

**Figure 3 • Remove the Main Logic Board Connections**

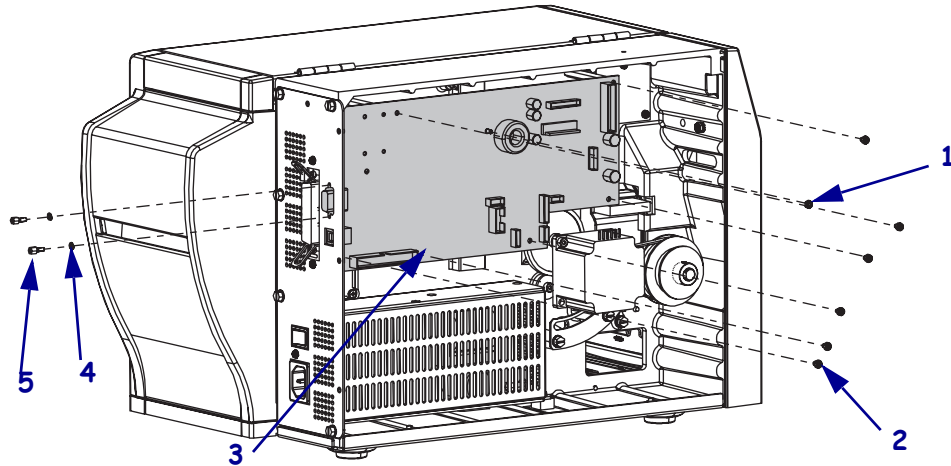


<b>1</b>	Printhead Data (J3)	<b>7</b>	Transmissive Sensor (P9)
<b>2</b>	Power-in (J8)	<b>8</b>	Reflective Sensor (P7)
<b>3</b>	Front Panel (J2)	<b>9</b>	Take Label Sensor (J19)
<b>4</b>	Stepper Motor (J9)	<b>10</b>	Communication Expansion Port (J17)
<b>5</b>	Booster Board (J7)	<b>11</b>	USB (J14)
<b>6</b>	Ribbon Sensor, Head Open (P4)	<b>12</b>	Serial Port (J10)

**6** | Internal ZebraNet PrintServer II, Wireless Print Server, and Parallel Port Option Kits  
Remove the Main Logic Board

2. See [Figure 4](#). Remove the six screws and one nut securing the main logic board to the frame of the printer.
3. Remove the two studs and washers securing the serial port connector to the back of the printer.

**Figure 4 • Remove the Main Logic Board**



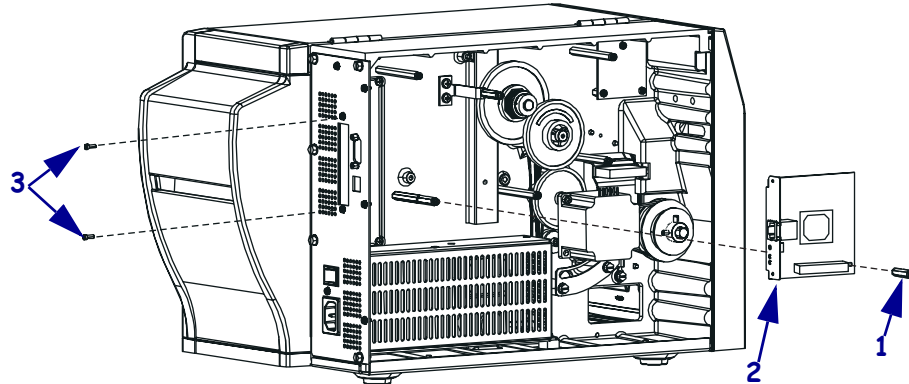
<b>1</b>	Main Logic Board Nut (1)
<b>2</b>	Main Logic Board Mounting Screws (6)
<b>3</b>	Main Logic Board
<b>4</b>	Serial Port Mounting Stud (2)
<b>5</b>	Parallel Port Mounting Screw (2)

4. Remove the main logic board from the printer.
5. Is there a 10/100 internal ZebraNet PrintServer, wireless print server, or parallel port kit already installed on the printer?

<b>If...</b>	<b>Then...</b>
No	Go to <i>Install the Parallel Port Board, 10/100 Internal ZebraNet PrintServer, No Communication, or the Wireless Print Server</i> on page 8.
Yes	Proceed to <a href="#">step 6</a> .

6. See [Figure 5](#) or [Figure 6](#). Remove the two screws securing the parallel port connector, the internal ZebraNet PrintServer, or the wireless print server to the back of the printer.
7. See [Figure 5](#). **For the Internal ZebraNet PrintServer board and the parallel port;** Remove the standoff and then the internal ZebraNet PrintServer or parallel option board from the printer.

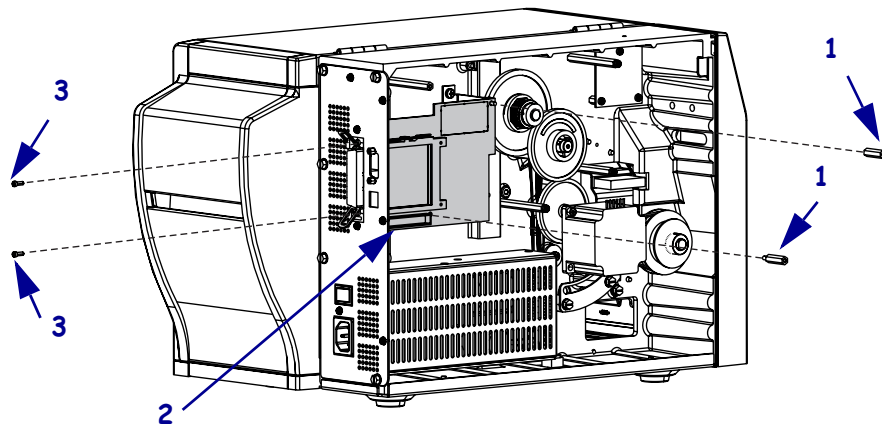
**Figure 5 • Install/Remove the Internal ZebraNet PrintServer Board or the Parallel Port**



1	Standoff
2	Internal ZebraNet PrintServer Board or Parallel Port
3	Mounting Screws

8. See [Figure 6](#). **For the wireless print server board;** Remove the two standoffs and mounting screws from the wireless print server board.
9. Remove the wireless print server board from the printer.

**Figure 6 • Install/Remove the Wireless Print Server Board**



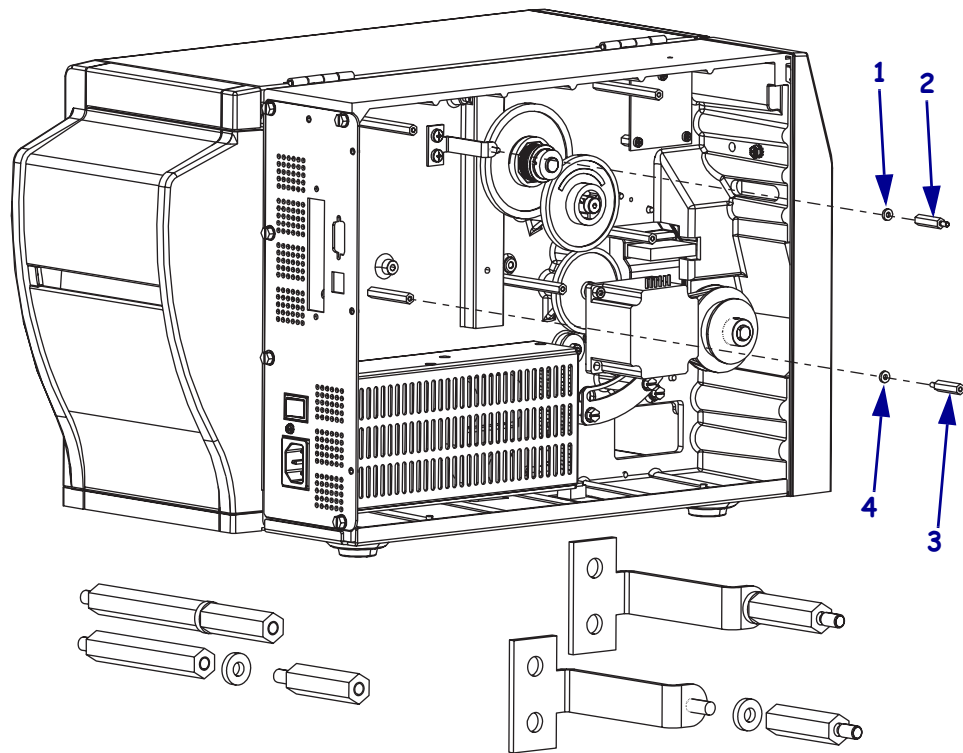
1	Standoff
2	Wireless Print Server Board
3	Mounting Screws

## Install the Parallel Port Board, 10/100 Internal ZebraNet PrintServer, No Communication, or the Wireless Print Server

Are you installing the 10/100 PrintServer for the first time?

If...	Then...
No	Continue to <a href="#">step 1</a> .
Yes	a. See <a href="#">Figure 7</a> . Remove the two short standoffs shown. b. Remove the two washers, they are used as spacers when there is no option board installed. c. Continue to <a href="#">step 1</a> .

**Figure 7 • Remove the Short Standoffs**



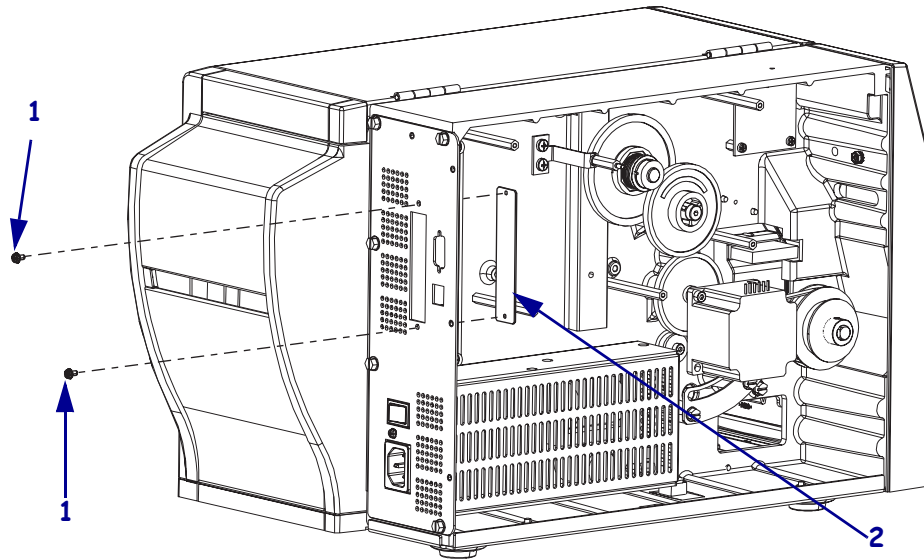
<b>1</b>	Washer (Must be used when there is no wireless option installed)
<b>2</b>	Standoff
<b>3</b>	Standoff
<b>4</b>	Washer (Must be used when there is no option board installed)

- See [Figure 5 on page 7](#). For the 10/100 Internal ZebraNet PrintServer board and the parallel port; install the board using the standoff. Install the 40 pin cable that will go to the main logic board.



2. See [Figure 6 on page 7](#). **For the wireless print server board**; install the board using the two standoffs and mounting screws. Install the 40 pin cable that will go to the main logic board.
3. See [Figure 7 on page 8](#). **For the no communication option**. Both washers must be installed.
4. See [Figure 8](#). Using the two screws supplied to install the bracket on the back of the printer.

**Figure 8 • Install the Bracket for the No Communications Option**



<b>1</b>	Mounting Screw (2)
<b>2</b>	Bracket

## Reinstall the Main Logic Board

1. See [Figure 4 on page 6](#). Install the main logic board in the printer using the six screws and one nut removed previously.
2. Reinstall the two screws and washers securing the option board and the two studs and washers securing the serial port to the back panel.
3. See [Figure 3 on page 5](#). Reinstall all the cables previously removed from the main logic board. Visually inspect and ensure the cables are in their proper location and seated in the connectors.

## Reinstall the Electronics Cover

1. See [Figure 2 on page 4](#). Install the electronics cover by aligning it and sliding down, ensuring the lower tabs are inside the base and the upper flange is between the main frame and the media door
2. Install the four mounting screws on the back of the printer.
3. See [Figure 1 on page 3](#). Open the media door and install the mounting screw and lock washer to secure the electronics cover.
4. Reconnect AC power cord and data cables.
5. Turn On (I) the printer.