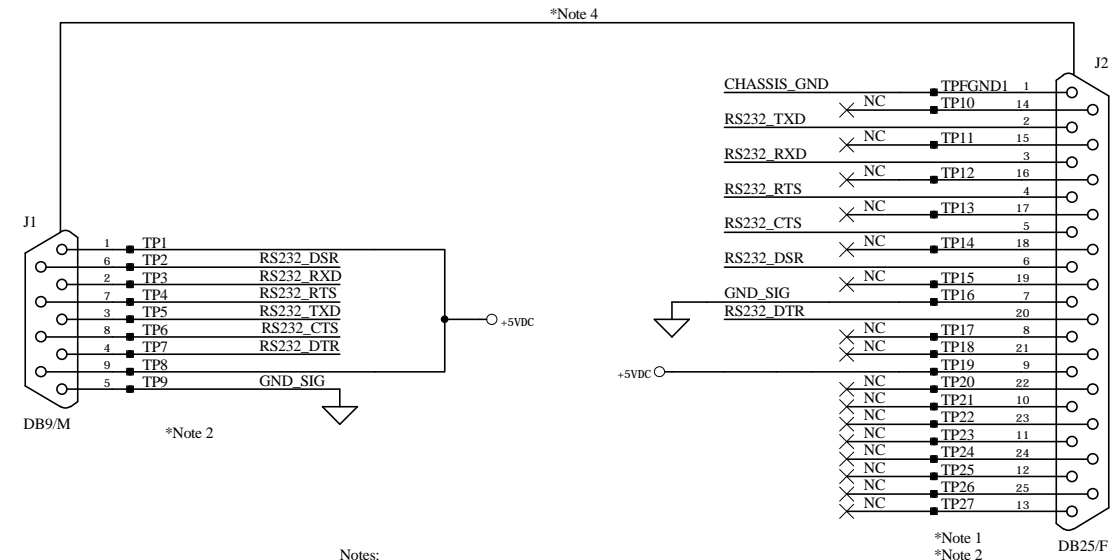


| REVISIONS |       |  |          |     |     |
|-----------|-------|--|----------|-----|-----|
| REV       | ECO   | DESCRIPTION                                      | DATE     | BY  | CHK |
| 1         |       | RELEASE FOR PRODUCTION                           | 10/29/01 | DMJ | JRW |
| 2         | 10285 | ADDED CONNECTION TO J1/J2 HOUSINGS; NOTE CHANGES | 02/12/02 | DMJ | JRW |
|           |       |  |          |     |     |
|           |       |  |          |     |     |

| REVISIONS |     | DATE | BY | CHK |
|-----------|-----|------|----|-----|
| REV       | ECO |      |    |     |
|           |     |      |    |     |
|           |     |      |    |     |
|           |     |      |    |     |



- Notes:
1. NC (No Connection)
  2. TP (Test Point)
  3. TPFGND1 (Test Point Frame Ground- Testpoint is NOT connected to housing of J2)
  4. Housings of DB connectors (J1 and J2) are tied together via 2 pieces of aluminum conductive shield tape (Zebra P/N: 33137)

DB9/M Connector Pinout for RS232 Interface

| Pin Number | Description                   |
|------------|-------------------------------|
| 1          | +5VDC +5VDC @ 750mA Max       |
| 2          | RS232_RXD Receive Data        |
| 3          | RS232_TXD Transmit Data       |
| 4          | RS232_DTR Data Terminal Ready |
| 5          | GND_SIG                       |
| 6          | RS232_DSR Data Set Ready      |
| 7          | RS232_RTS Request to Send     |
| 8          | RS232_CTS Clear to Send       |
| 9          | +5VDC +5VDC @ 750mA Max       |

DB25/F Connector Pinout for RS232 Interface

| Pin Number | Description                                  |
|------------|--|
| 1          | CHASSIS_GND (NOT connected to housing of J2) |
| 2          | RS232_TXD Transmit Data                      |
| 3          | RS232_RXD Receive Data                       |
| 4          | RS232_RTS Request to Send                    |
| 5          | RS232_CTS Clear to Send                      |
| 6          | RS232_DSR Data Set Ready                     |
| 7          | GND_SIG                                      |
| 8          | NC   |
| 9          | +5VDC +5VDC @ 750mA Max                      |
| 10         | NC   |
| 11         | NC   |
| 12         | NC   |
| 13         | NC   |
| 14         | NC   |
| 15         | NC   |
| 16         | NC   |
| 17         | NC   |
| 18         | NC   |
| 19         | NC   |
| 20         | RS232_DTR Data Terminal Ready                |
| 21         | NC   |
| 22         | NC   |
| 23         | NC   |
| 24         | NC   |
| 25         | NC   |

File: P:\Full\_Monty\EE\Design\Interface Adapters\33138\_Sch\Rev2\33138\_Rev2\_33139\_Rev1.dbb

**Name**  
DB9 to DB25 Powered External Adapter

Model:  
Initial Usage  
ENG. DMJ  
DT: 02/12/02  
APP. JRW



Part No. **33138** Sheet 1 of 1 REV 2