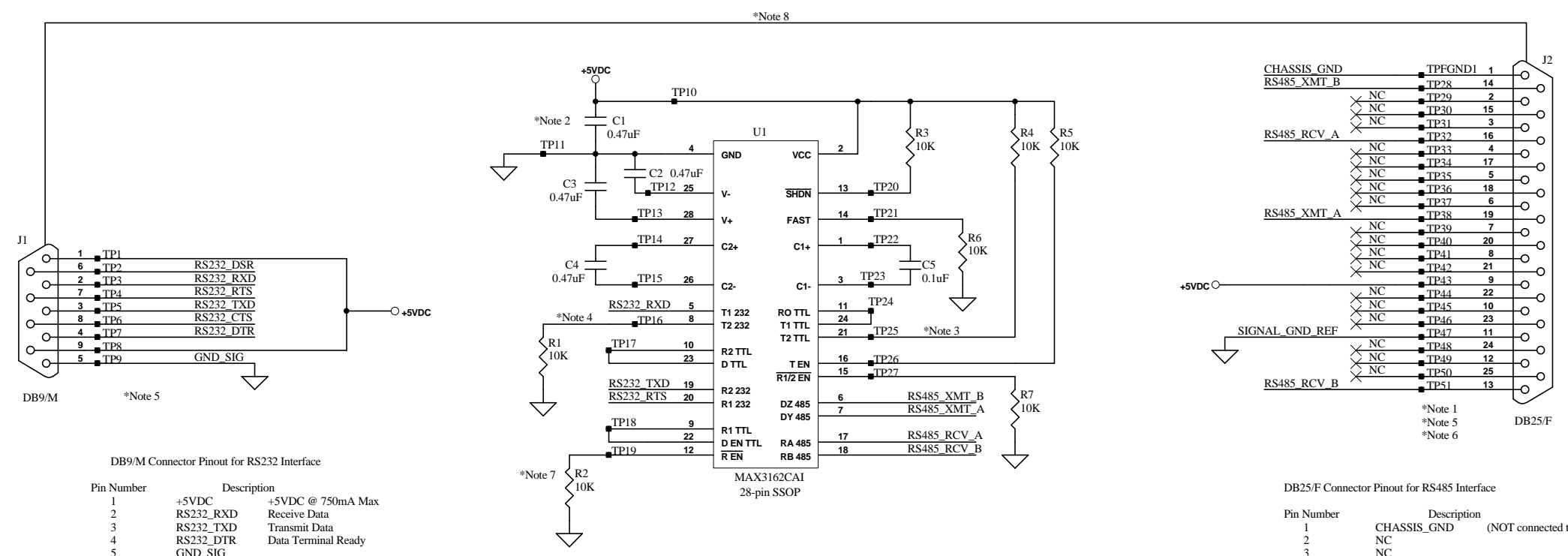


REVISIONS					
REV	ECO	DESCRIPTION	DATE	BY	CHK
1		RELEASE FOR PRODUCTION	10/29/01	DMJ	JRW
2	10285	ADDED CONNECTION TO J1/J2 HOUSINGS; NOTE CHANGES	02/12/02	DMJ	JRW



DB9/M Connector Pinout for RS232 Interface

Pin Number	Description	+5VDC	+5VDC @ 750mA Max
1	+5VDC		
2	RS232_RXD		Receive Data
3	RS232_TXD		Transmit Data
4	RS232_DTR		Data Terminal Ready
5	GND_SIG		
6	RS232_DSR		Data Set Ready
7	RS232_RTS		Request to Send
8	RS232_CTS		Clear to Send
9	+5VDC		+5VDC @ 750mA Max

- Notes:**
1. NC (No Connection)
 2. Place bypass capacitor as close to IC as possible
 3. Pin 21-Transmitter 2 is unused and its input is pulled high
 4. Pin 8- Transmitter 2 is unused and its output is pulled low
 5. TP (Test Point)
 6. TPFND1 (Test Point Frame Ground- Testpoint is NOT connected to housing of J2)
 7. Pin 12- RS485/422 Receiver Enable is pulled low for full-duplex operation
 8. Housings of DB connectors (J1 and J2) are tied together via 2 pieces of aluminum conductive shield tape (Zebra P/N: 33137)
- ALL RESISTORS ARE 1/16 WATT 1%
- ALL 0.47uF CAPACITORS ARE 16V 10%
- ALL 0.1uF CAPACITORS ARE 50V 10%



File: P:\Full_Monty\EEEDesign\Interface Adapters\33130_Sch\Rev2\33130_Rev2_33131_Rev1.dbb

Material

Name: **RS232_RS485 External Converter**

Model:		<p>These drawings and specifications are the exclusive property of Zebra Technologies Corp. They are furnished on a confidential basis and shall not be disclosed, copied, reproduced or otherwise used for any purpose whatsoever, except with the prior written consent of Zebra Technologies Corp.</p>
Initial Usage		
ENG. DMJ	DT: 02/12/02	
APP. JRW		
Part No.	33130	Sheet 1 of 1
REV	2	