

Zebra® MZ Series Mobile Printers Quick Start Guide Introduction

Thank you for choosing one of our Zebra MZ Series Mobile Printers. These rugged printers will become productive and efficient additions to your workplace thanks to their innovative design. Because they are made by Zebra Technologies Corporation, you can be assured of world-class support for all of your bar code printers, software, and supplies.

This document provides an easy reference for operating and maintaining the MZ Series Mobile Printers. Complete documentation for this printer series is provided by the **MZ Series User Guide** available on the Internet at: <http://www.zebra.com>.

Zebra Technologies International, LLC
333 Corporate Woods Parkway
Vernon Hills, Illinois 60061-3109 USA

QSG-MZS-002 rev. A

© ZIH Corp. 2006

MZ Series Overview (MZ 220 Illustrated)

1. Feed Switch
2. Media Status Light
3. USB Port
4. Battery Charging Receptacle
5. Media Sensor
6. Media Cover
7. Platen
8. Printhead
9. Latch Release Button
10. Communications Status Indicator
11. IR window
12. Charge Status Indicator
13. Power Switch
14. Power Indicator
15. Belt Clip
16. Battery Door Latch
17. Battery Compartment Cover
18. Battery Pack
19. External Charge Contacts

Installing the Battery

! Batteries are shipped uncharged. Remove any protective packaging from new battery packs, install it in the printer and charge completely prior to initial use.

1. Use a coin to rotate the Battery Compartment lock 1/4 turn as shown.
2. Remove the Battery Compartment Cover
3. Plug the Battery Pack connector into the Printer.
4. Re-install the Battery Compartment Cover and rotate the lock back 1/4 turn to lock it in place.

! Ensure battery leads are not pinched prior to replacing battery cover.

Charging the Battery

Preparing the Charger Power Supply

Remove the power supply from its box. Remove and discard the shipping ring from the mains receptacle cavity.

Mains Adapter

Shipping Ring
Remove and discard

Verify that the mains adapter shipped with your Printer is the correct one for your region.
Install the mains adapter into the Power Supply by hooking the top edge into the mains receptacle cavity, and rotating it until it snaps into place.

Using the Charger Power Supply

Charger Power Supply
Plug into AC receptacle

Plug into printer Charger Jack

! The printer may be used while charging the battery. However, prolonged use of the printer while charging will greatly increase charge times.

Important Safety Information

Static Discharge and Thermal Printing

! **Caution • Static Discharge**
The discharge of electrostatic energy can damage or destroy the printhead or electronic components used in this device. DO NOT TOUCH the printhead or any exposed electronic components.

! **Caution • Printhead**
The printhead can become hot after prolonged printing. Use only the supplied cleaning pen to perform maintenance on the printhead.

Battery Safety

! Always observe the safety precaution in the Lithium-Ion Battery Technical Bulletin included with each Battery Pack.

! **Caution • Short Circuits**
Avoid accidental short circuiting of any battery. Allowing battery terminals to contact conductive material will create a short circuit which could cause burns and other injuries or could start a fire.

! **Li-ion Important • Lithium-Ion (Li-ion) Battery Disposal**
Always dispose of used printer batteries properly. Disposal regulations may vary by location. Refer to the MZ series Users Guide for more battery recycling information.

! **Caution • Use Zebra Chargers**
Use of any charger not approved specifically by Zebra for use with its batteries could cause damage to the Battery Pack or the Printer and will void the warranty.

Product Support

For product support, contact Zebra Technologies at: www.zebra.com

In the Americas contact:
Zebra Technologies International, LLC
333 Corporate Woods Parkway
Vernon Hills, Illinois 60061-3109 USA
Phone: +1.847.793.2600 or +1.800.423.0422
Fax: +1.847.913.8766

In the Asia Pacific region contact:
Zebra Technologies Asia Pacific, LLC
16 New Industrial Road
#05-03 Hudson TechnoCentre
Singapore 536204
Phone: +65-6858 0722
Fax: +65-6885 0838

In Europe, Africa, the Middle East, and India contact
Zebra Technologies Europe Limited
Zebra House
The Valley Centre, Gordon Road
High Wycombe
Buckinghamshire HP13 6EQ, UK
Phone: +44.1494.472872
Fax: +44.1494.450103

Loading Media

1. Press Latch Button
2. Media Cover Opens

Media Roll
Note direction media pulls off the roll.

Open the Media Cover

Load the Media Roll

Pull Media out of Printer

- 1
- 2 Close Media Cover

Close the Cover

Printer Controls

Power Light (Green)
Indicates power status and battery condition. A steadily lit indicator means the battery has more than a 30% charge remaining. A blinking indicator means the battery has less than a 30% charge remaining.

Power Button
Press and hold to turn unit on.
Press again to turn unit off

Charge Light (Green/Amber)
Green indicates the battery fully charged. Amber indicates the battery is less than 90% charged.

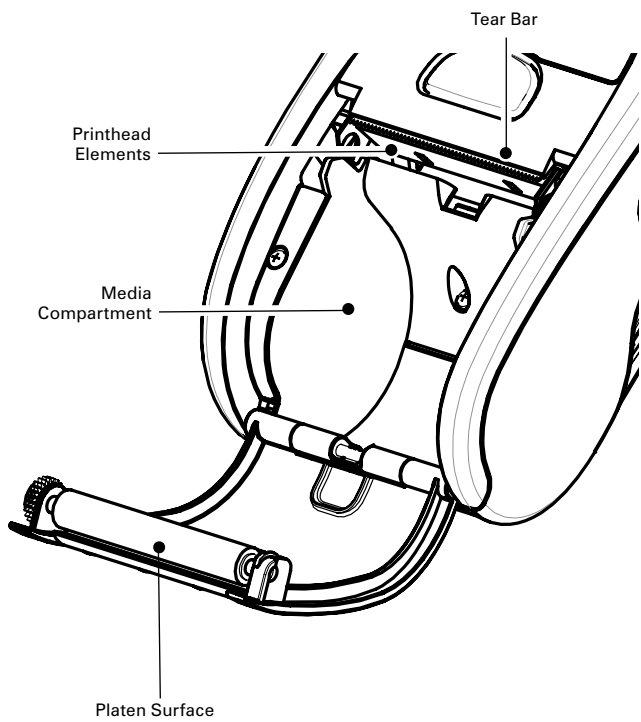
Feed Button
Press to advance the media. Release to stop.

Media Status Light (Amber)
When off Indicates normal operation, blinking indicates either no media or that the media compartment is open

IrDA® Window
This area must be within the line of sight of any other IrDA enabled device for IR communications to occur.

Communication Light (Blue)
When lit steadily indicates a wireless communications link is established, when blinking indicates data transmission.

Cleaning the Printer



Area	Method	Interval
Printhead	Use a Zebra cleaning pen or a 70% isopropyl alcohol solution on a cotton swab to clean the print elements from end to end (the print elements are located in the thin gray line on the printhead).	
Platen	Rotate the platen roller and clean it thoroughly with a Zebra cleaning pen or a 70% isopropyl alcohol solution and a cotton swab.	After every five rolls of media (or more often, if needed)
Tear bar	Clean thoroughly with a Zebra cleaning pen or a 70% isopropyl alcohol solution and a cotton swab.	
Exterior	Water dampened cloth	As needed
Media Compartment Interior	Brush/air blow.	After every five rolls of media (or more often, if needed)



Note • Twelve packs of approved cleaning pens are available from Zebra as p/n AN11209-1.

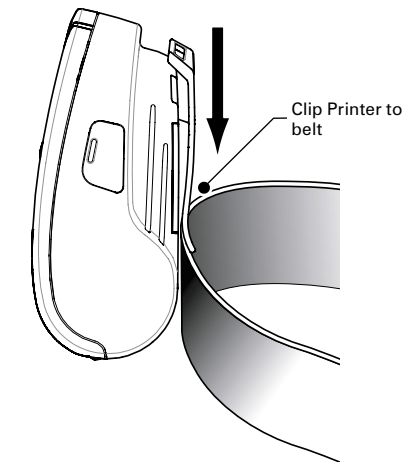


Caution • To avoid possible personal injury or damage to the Printer, never insert any pointed or sharp objects into the Printer.

Wearing the Printer

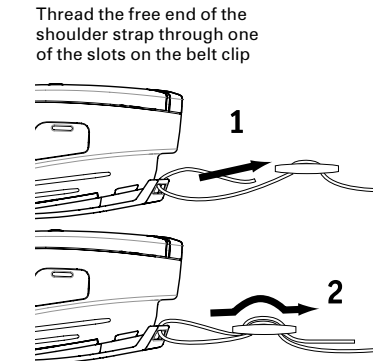
Belt Clip (standard on all printers)

To use: hook the clip over your belt and ensure that the clip is securely attached to the belt. The belt clip will pivot to allow you to move freely while wearing the Printer.

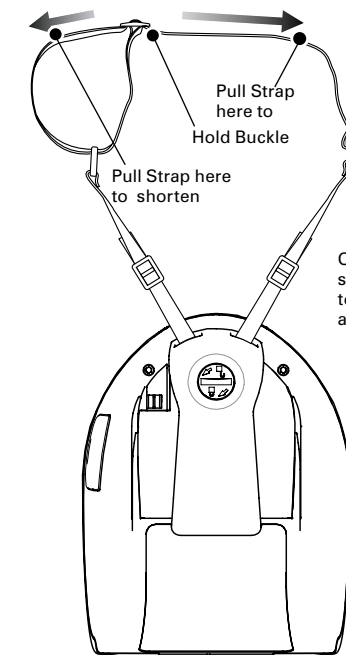


Adjustable Shoulder Strap (Accessory Kit)

Refer to figure below. Secure each end of the shoulder strap by looping through the slots on the belt clip and securing with the buckle.

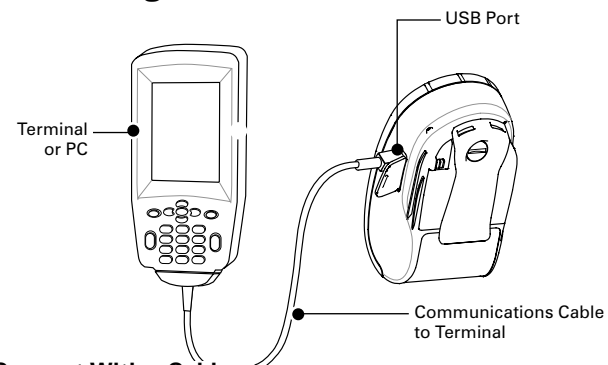


Thread the free end of the shoulder strap through the buckle and pull tight to adjust. Do the same procedure on the other end of the strap in the remaining slot on the belt clip.



Once the shoulder strap is secured, slide the buckle away from or towards the Printer until you achieve the desired length.

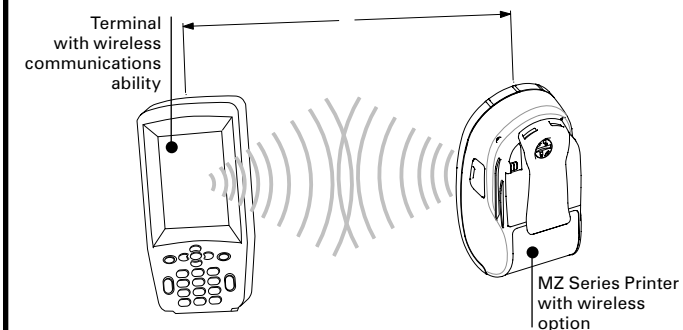
Connecting the Printer



Connect With a Cable

Refer to the Label Vista™ application on the Internet at <http://www.zebra.com> for help on setting up the Printer.

If you are connecting to a PC you may need to install the Zebra Universal Driver available on the Internet at: <http://www.zebra.com>.



Connect by Radio

Refer to the Wireless Quick Start Guide on the Internet at <http://www.zebra.com> for help on setting up your wireless printer.

Troubleshooting

Interpreting Indicators

The printer's indicators display various printer functions and their status. Check the indicator status, then refer to the Troubleshooting topic referenced in the chart.

Function	Indicator Color	Indicator Status: Steady	Indicator Status: Blinking	Troubleshooting Topic
Power	Green	Indicates printer is on and battery condition is OK to use.	Blinking signifies Low Battery	3
Charger	Amber/Green	Off indicates battery is not charging. Amber indicates battery is charging. Green indicates battery is charged.	N/A	1,6,10
Error	Amber	Off indicates no error condition	No media or media door is open. Application may be missing or corrupted	2,4,7,9
Communications	Blue	Cable/IrDA: N/A	Data is being received	5,8
		Bluetooth: Printer has paired with another Bluetooth device.	Data is being received	5,8
		802.11g: Radio is associated with a WLAN	Radio is trying to associate with a WLAN.	5,8

Troubleshooting Topics

1. No power:

- Ensure you press and hold the Power switch until the Power light comes on.
- Check that battery is installed properly.
- Recharge or replace battery as necessary.

2. Media does not feed:

- Be sure Media Cover is closed and latched.
- Check media compartment. Ensure media is not binding on the sides of the compartment.

3. Poor or faded print

- Clean printhead.
- Check battery for possible damage. Recharge or replace as necessary.
- Check quality of media.

4. Partial or missing print:

- Check media alignment.
- Clean printhead.
- Ensure Media Cover is properly closed and latched.

5. No print:

- Replace battery.
- Check cable to terminal.
- (Wireless units only) Restore wireless connection.

6. Reduced battery life:

- Check battery date code — if battery is one to two years old, short life may be due to normal aging.
- Recharge or replace battery.

7. Flashing Amber indicator:

- Check that media is loaded and that printhead is closed and securely latched.
- If media is present and latch is closed, indicates that no application is present or application is corrupted. Program must be re-loaded.

8. Communication Error:

- (Wireless units only) Check that media is loaded, head is closed and blue communication link light is on.
- Replace cable to terminal.

9. Label Jam:

- Open media cover.
- Generously apply alcohol to Printer in area of jammed label.

10. Battery Pack Is Hard to Install

- Do not force the battery into place. Verify you have not pinched any wires between the battery and the printer.
- Verify you are plugging the battery connector into the printer correctly.



Resetting an MZ Series Printer

If the printer has locked up and is not responding to any operator inputs or external commands, either from a connected terminal or from a linked LAN, you can perform a forced reset as follows:

1. Open the media compartment and remove any media.
2. Press the Feed button and hold it approximately ten seconds until the Power, Communications and Error indicators turn off and stay off.
3. After the three indicators turn off wait ten more seconds and press the Power button. The Printer will restart and normal operation can resume.