

Installing the CardSense Single Card Feed Kit

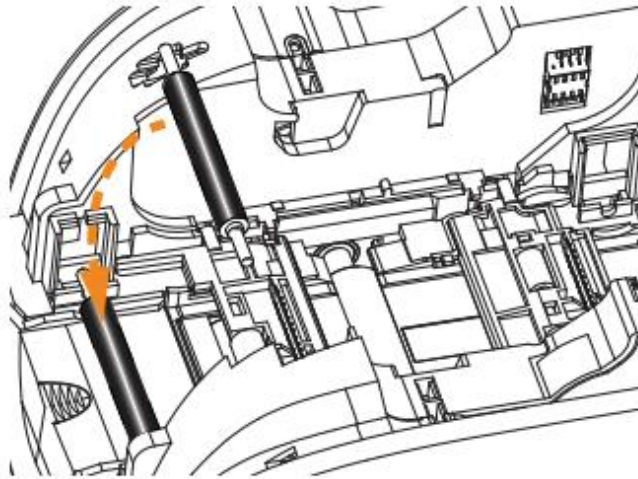
Step 1. Turn printer power OFF.

Step 2. Open the lid, and remove the ribbon cartridge.



Important • Make sure the Card Hopper remains closed.

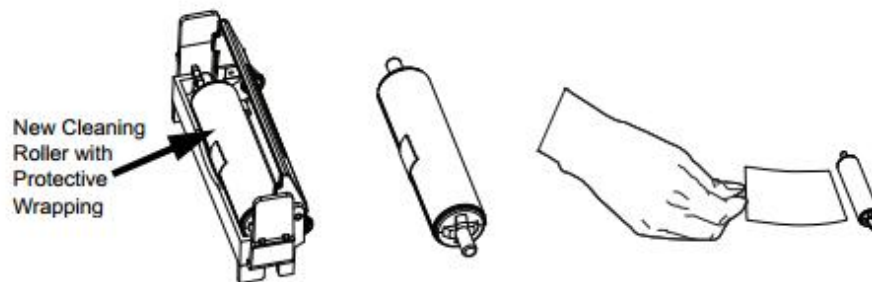
Step 3. Install the black roller. Place it between the blue clips just behind the card entry slot, and press the roller straight down so it is fully seated.



Step 4. While holding the roller down, turn power ON. You will hear a loud click as the clips secure the roller.

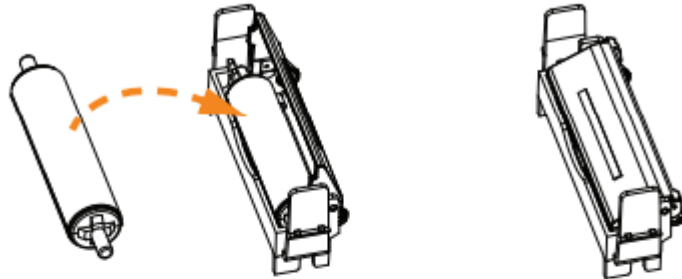
Step 5. At this point, let go of the roller, and then turn printer power OFF.

Step 6. Open the Cleaning Cartridge. The new Cleaning Cartridge will contain a Cleaning Roller with its protective wrapping.



Step 7. Remove the Cleaning Roller from the Cleaning Cartridge, and then remove the protective wrapper from the Cleaning Roller,

Step 8. Place the Cleaning Roller in the Cartridge, and close the lid.



Step 9. The Cleaning Cartridge is held in place by two clips. While gently squeezing the clips inward, press the cartridge into place. It will seat with a click.



Step 10. Insert the Ribbon Cartridge with the cleaning roller facing down, so the gears on the ends of the rollers fit into the appropriate slots.

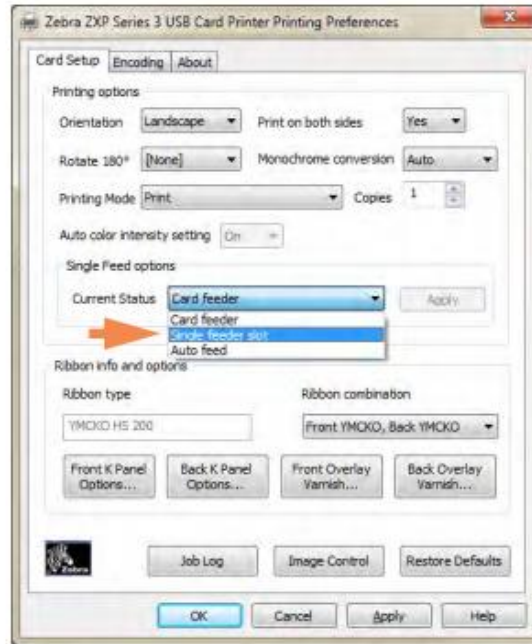
Step 11. Close the printer lid, and push down until you hear an audible click. If you can not close the lid, the cleaning cartridge or the ribbon cartridge may be installed wrong.

Step 12. Place the printer power switch in the ON (|) position.

Setting Up the Printer Driver

Card Setup tab allows the user to set the single card feed mode.

To access the Card Setup tab, select *Start > Devices and Printers*. Right click on the *Zebra ZXP Card Printer* listing, then select *Printing preferences > Card Setup*.



Step 1. Select the *Single feeder slot* from the Current Status dropdown menu (arrow above).

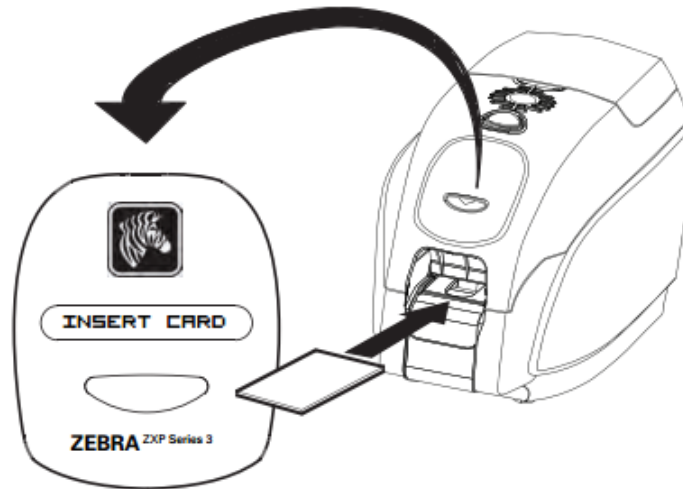
Step 2. Click the **Apply** button, then click the **OK** button.



Important • You can disable **Single Feed** Support and return to printing cards from the Card Feeder. You do not have to remove the components of the Single Card Feed Kit in order to operate in normal mode.

Printing a Single Card

- Step 1.** Cards are inserted one at a time into the slot on the front of the printer. Do not feed more than one card at a time. Note that the card must be fully inserted before printer turns on and accepts the card.



- Step 2.** The card is printed.
- Step 3.** The printed card is ejected out through the same (input) slot.



Note • If single-card feeding will be the normal mode of operation, you may select that mode through the driver software. In single card feed mode, the card will not be printed until the print job has been sent to the printer and the card to be printed has been inserted into the single card feed slot