

2.10 Loading Cards

To help you load, print, and collect cards, the printer has a card feeder and card output hopper.

Card Feeder

The card feeder is used for loading cards, it can hold up to 100 cards of 30 mils thickness. The card feeder is located under the card feeder cover of the Printer



Caution • DO NOT bend cards or touch print surfaces as this can reduce print quality.

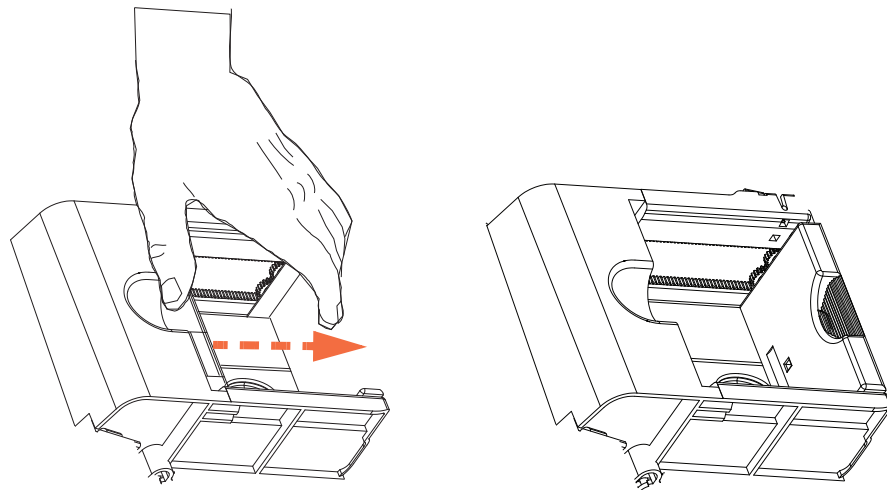


Note • The surface of the cards must remain clean and dust free. Always store cards in an enclosed container. Ideally, use cards as soon as possible. If cards stick together, carefully fan or shuffle them.

Load cards into the card feeder as follows:

Step 1. Open the card feeder cover.

Step 2. Slide the card guide all the way to the right until it locks in place with an audible click.

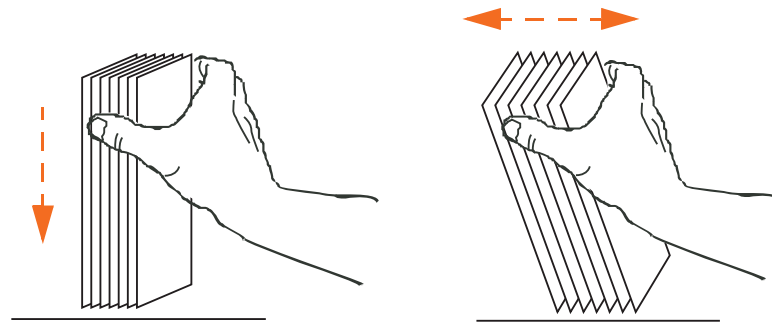


Step 3. Remove the cellophane wrapper from the card stack.

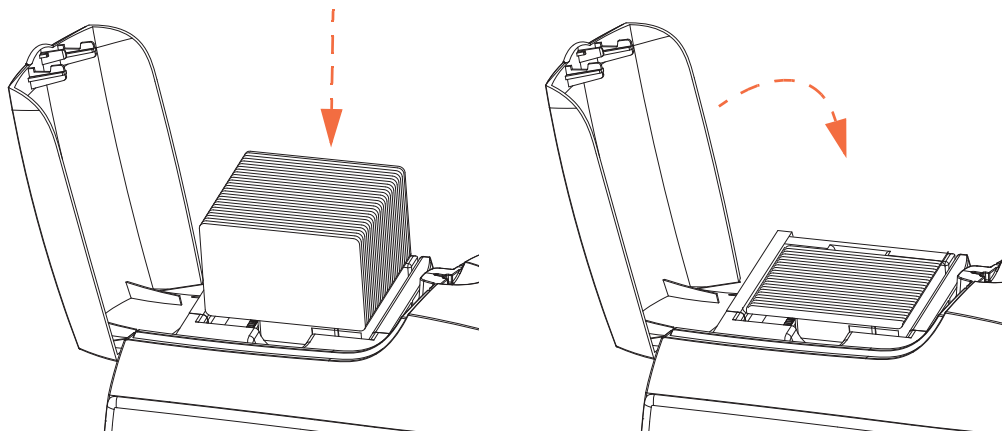


Note • Static charges and edge burrs from the card die-cutting process can render individual cards stuck together with significant adhesion force. These cards must be physically separated from each other before inserting into the feeder; if not separated, feeding or printing problems may occur.

Step 4. Holding the card deck by the sides, hold it vertically against a flat surface such as a desktop; then push the stack back and forth to an angle of about 45° from vertical, so as to separate all of the cards.



1. Restore the card stack to its original squared-off condition.
2. Place stack of up to 100 cards into the card feeder.



3. Close the card feeder cover. When card feeder cover is closed, the card guide locking mechanism will automatically be released.

Cards with Magnetic Stripe



Caution • ONLY USE cards that comply with ISO 7810 & 7811 standards for magnetic stripe cards. The magnetic stripe must be flush to the surface of the card to work properly. Never use cards which have taped-on magnetic stripes.



Note • Zebra-approved HiCo & LoCo PVC cards are available. (Reference ZXP Series 3 Card Printer Media List.)

When loading cards with magnetic stripes into the card feeder, please ensure that the magnetic stripe is facing the left side of the printer, and closest to the bottom edge of the card feeder.

