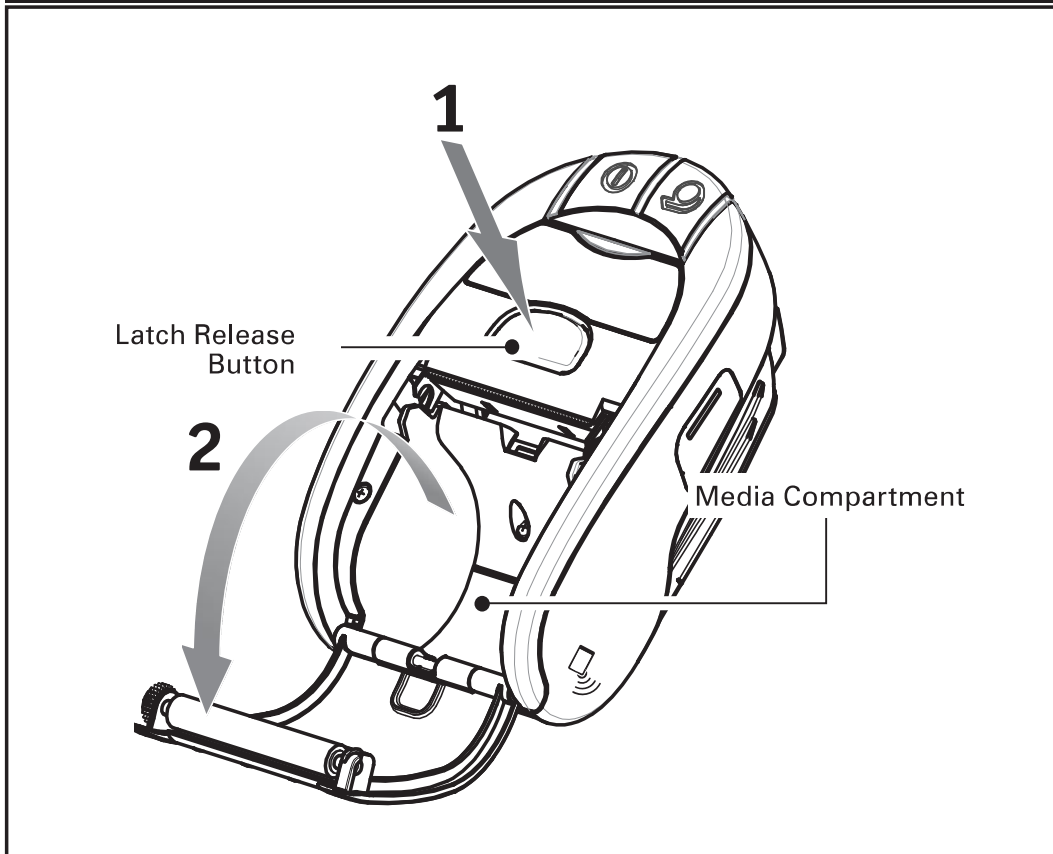


---

## Loading the Media (All models)

1. Open the printer: Refer to Figure 6.
  - Press the latch release button on the top of the printer as shown at "1" below. The media cover will flip open automatically revealing the media compartment.
2. Load the media: Refer to Figure 8
  - Insert the roll of media into the media compartment. Ensure that the media pulls off the core in the direction shown in Figure 8.
3. Close the Media Cover: Refer to Figure 9.
  - Pull a short length of media out of the printer
  - Close the Media Cover firmly and ensure it is securely latched on both sides..
  - Turn on the printer and press the Feed button. The printer will advance media until the Feed button is released. Verify the media is feeding properly and without binding or skewing sideways.

Figure 6: Opening the iMZ Printer (IMZ220 shown)



continued

---

## Using Pre-Printed Receipt Media

iMZ series printers support alignment of pre-printed receipts by using the out of paper sensor located near the printhead.

Please be aware of the following factors:

- 1) Note the black bar location and dimensions as detailed below and in the Specifications section of this manual.
- 2) Complete information on using pre-printed media can be found in the FORM command topic in the CPCL Programming Manual. The CPCL manual is available on the iMZ Product CD or on the Zebra Web site at <http://www.zebra.com/manuals>.

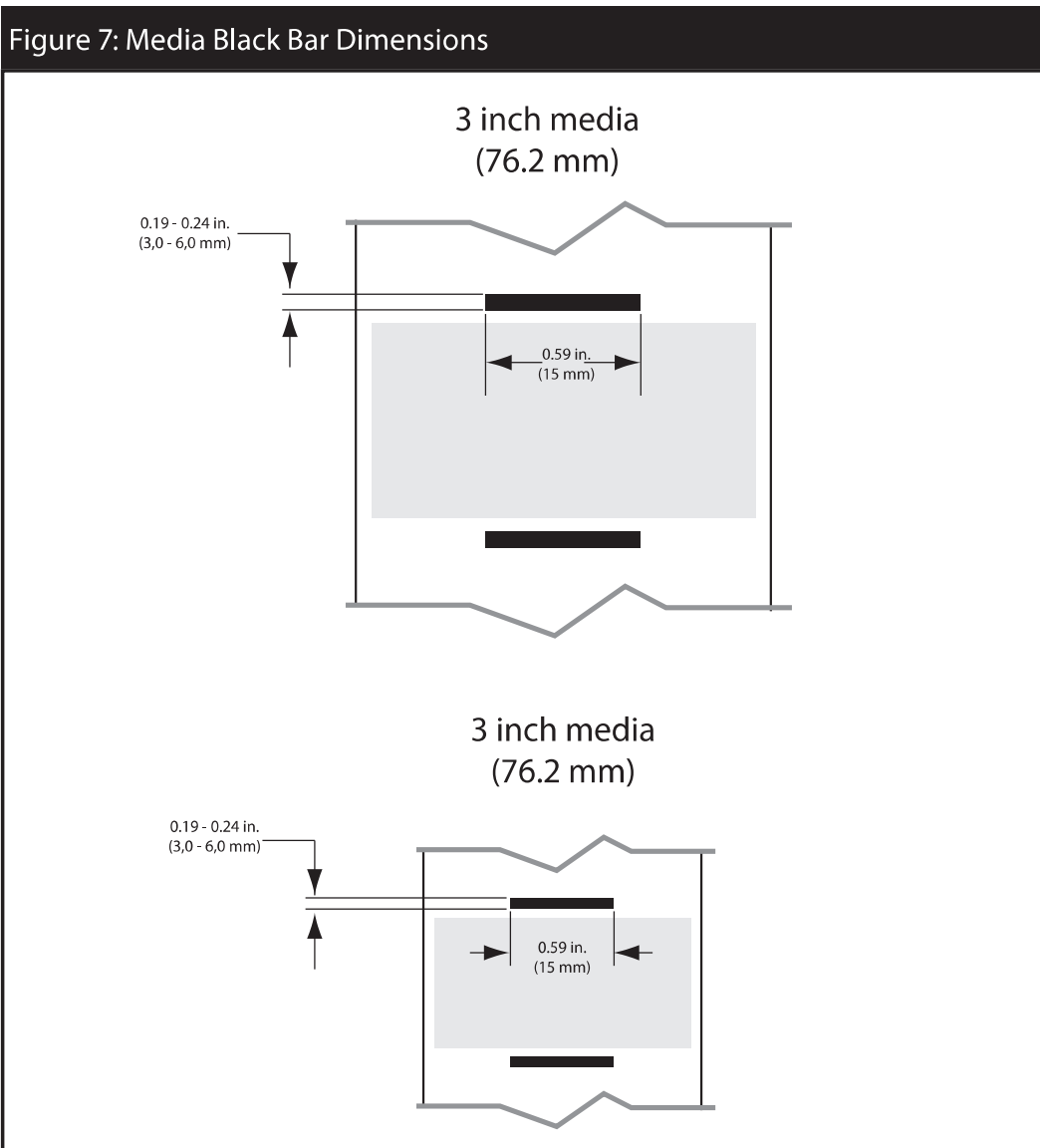


Figure 8: Installing Media

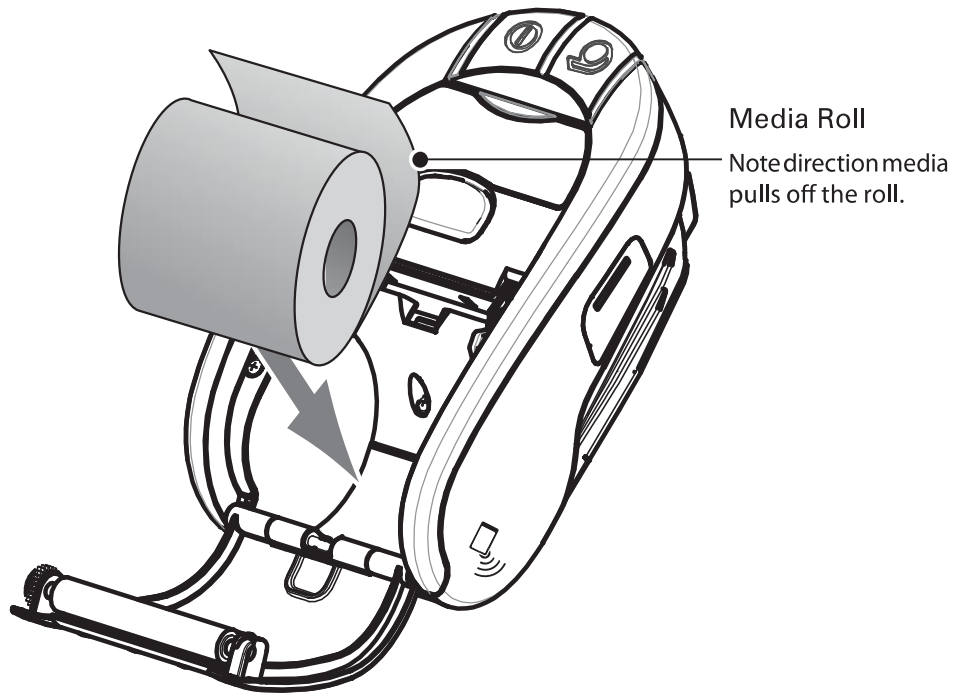


Figure 9: Closing the Media Cover

