

## Cutter Option

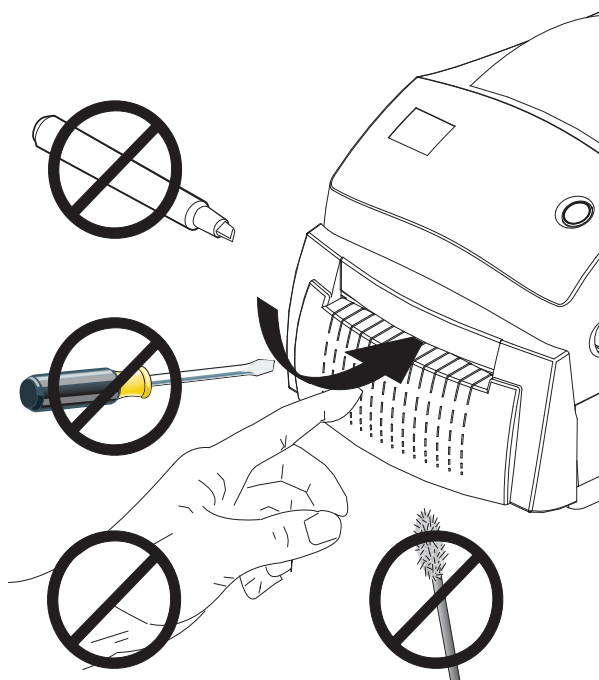
The printer supports a factory installed media cutter option for full width cutting of label liner, tag or receipt media. These cutter options are all supported in a single cutter housing design. The type of cutter option installed in your printer can be verified by printing a *printer configuration status* label. The cutter options are:

- **A medium duty cutter** for cutting label liner and light tag media (LINER/TAG)  
**Maximum Paper Weight (thickness):** up to 180 g/m<sup>2</sup> (0.0077 in.)  
**Life\*:** 2 million cuts: 0.5 mil to 5 mil stock (10-120 g/m<sup>2</sup>)  
           1 million cuts: 5 mil to 7.5 mil stock (120-180 g/m<sup>2</sup>)  
           750,000 cuts: 7.5 mil to 10 mil (180-200 g/m<sup>2</sup>)  
       \* - *Exceeding the maximum media weight (density/hardness) and thickness will shorten the cutters usable life or can cause the cutter to fail (jam or other error).*
- **Cut Width:** 4.25 inches (108 mm) maximum to 0.75 inches (19 mm) minimum
- **Minimum distance between cuts (label length):** 1 inch (25.4 mm). Cutting shorter media lengths between the cuts may cause the cutter to jam or error.
- By default, the cutter operations include a self cleaning preventive maintenance cleaning cut after every twenty-fifth cut. This feature can be disabled via ZPL or EPL SGD (Set/Get/DO) programming command (`cutter.clean_cutter`) but is not recommended.



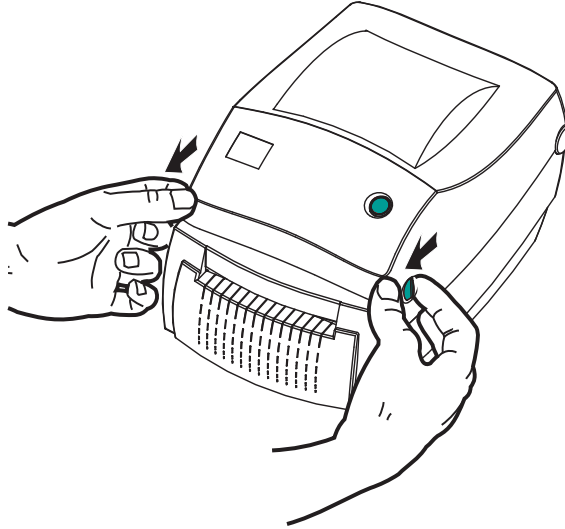
**Warning** • There are no operator serviceable parts in the cutter unit. Never remove the cutter cover (bezel). Never attempt to insert objects or fingers in to the cutter mechanism.

**Important** • Tools, cotton swabs, solvents (including alcohol), etc. all may damage or shorten the cutter's usable life or cause the cutter to jam.

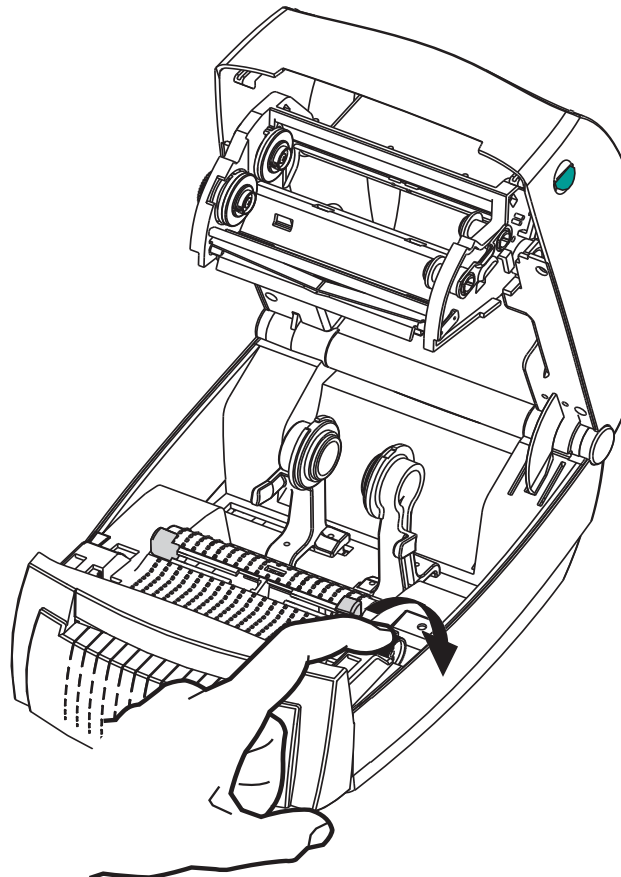


## Loading Media with the Cutter Option

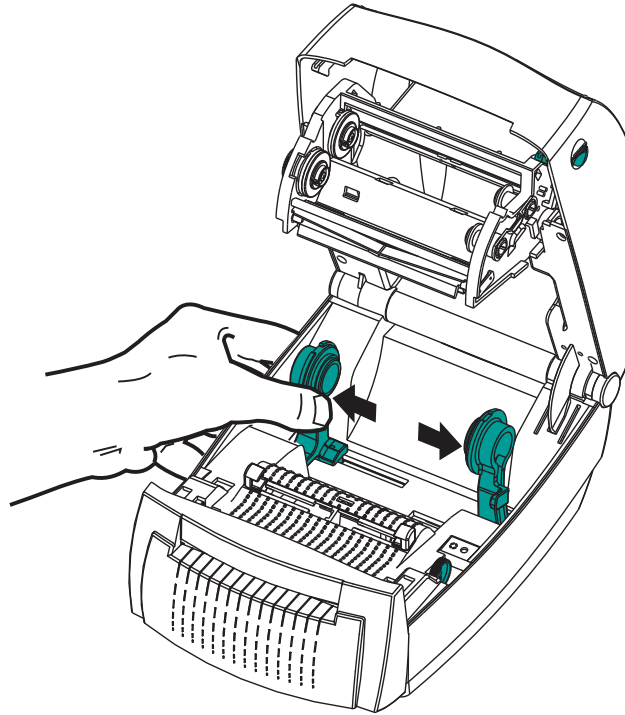
1. Open the printer. Remember that you need to pull the release latch levers toward the front of the printer.



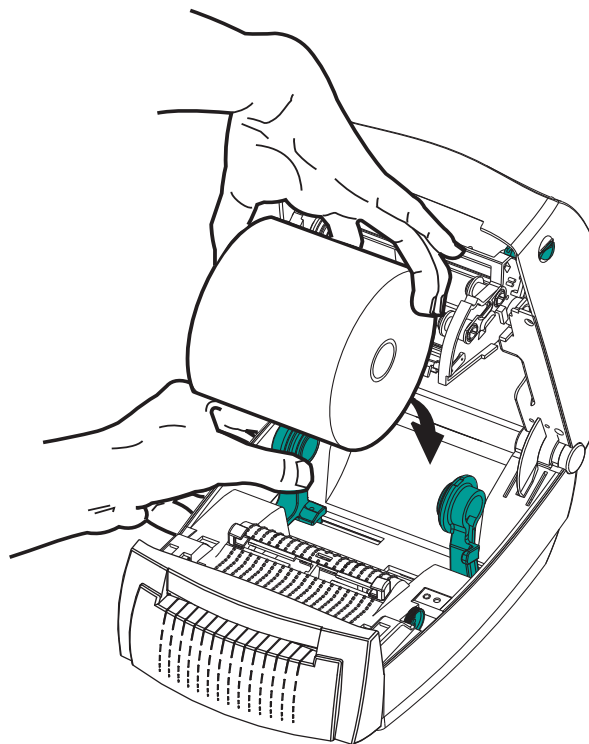
2. Open the media guides by turning the media guide adjustment knob toward the rear of the printer.



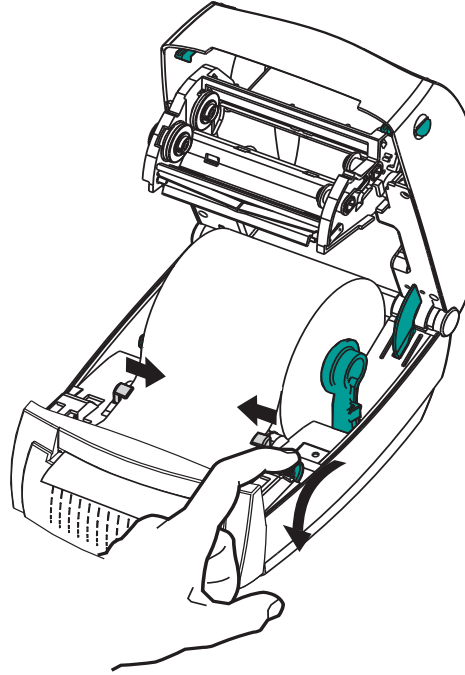
3. Open the media roll holders. Pull the media guides open with your free hand and place the media roll on the roll holders and release the guides. Orient the media roll so that its printing surface will be up as it passes over the platen (drive) roller.



4. Thread the media through the cutter's inside slot so that it extends out of the front of the printer. Verify the roll turns freely. The roll must not sit in the bottom of the media compartment. Verify that media's printing surface is facing up.



5. Close the media guides by turning the guide adjuster knob to the front. They should just touch, but not restrict, the edges of the media..



6. Close the printer. Press down until the cover snaps closed.

