



Zebra Technologies Corporation

Z4000™ & Z6000™ Z Series™ Memory Card (PCMCIA) Interface Option Kit

This instruction is for installing the Memory Card (PCMCIA) Interface Option Kit into the Zebra Z Series™ Printers. Read these instructions thoroughly before attempting to install this kit.

Reference Materials

77460L Z Series User's Guide

77450L Z Series Maintenance Manual

Tools Required

Phillips Screwdriver

Anti-Static Wrist Strap or other Anti-Static devices

7 mm Nut driver

Parts List (See Figure 1)

This kit includes the parts called out in Table 1. Before beginning the installation process, insure all parts are enclosed. Parts without part numbers are not available separately.

Note: A PCMCIA Card is not part of this kit and must be purchased separately

Table 1. Memory Card (PCMCIA) Interface Option Kit Parts List

✓	ITEM	QTY	PART NUMBER	DESCRIPTION
	REF	REF	77819	Memory Card (PCMCIA) Interface Option Kit
	1	1	Not Available	Standoff
	2	1	77186	Memory Option Cover
	3	3	77315	Thumb Nut
	4	3	Not Available	Washer, Flat
	5	1	Not Available	Memory Card Assembly (w/Mtd. Access Door)
	6	1	77520	Elastomeric Connector
	7	1	Not Available	Push-in Fastener
	8	1	Not Available	Stud Plate
	9	1	Q10011	Screw
	10	1	10473	Washer

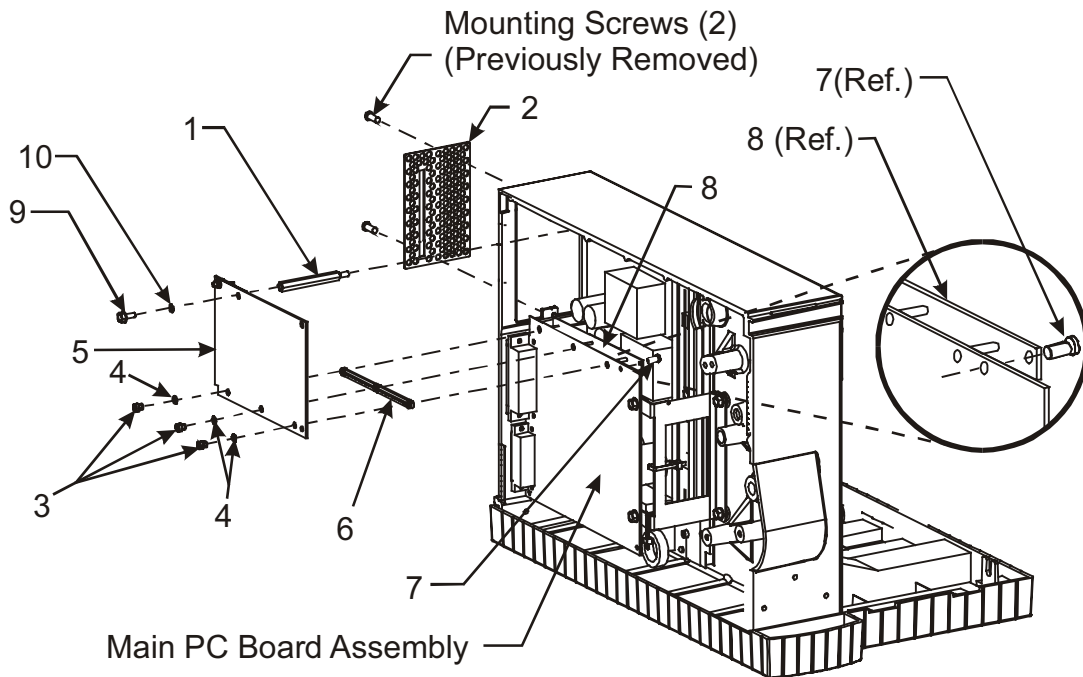


Figure 1. PCMCIA PCB Assembly Installation

Memory Card (PCMCIA) Interface Option Installation Procedures

1. Turn the printer power OFF at the rear of the printer and disconnect the AC power cord.
2. Open the media cover, loosen the two screws that secure the electronics cover to the printer. Remove the cover (see Figure 2).
3. Loosen and remove the two screws that secure the cover on the back of the printer. Remove the cover. Save the two screws that will secure the new memory option cover (see Figure 3).

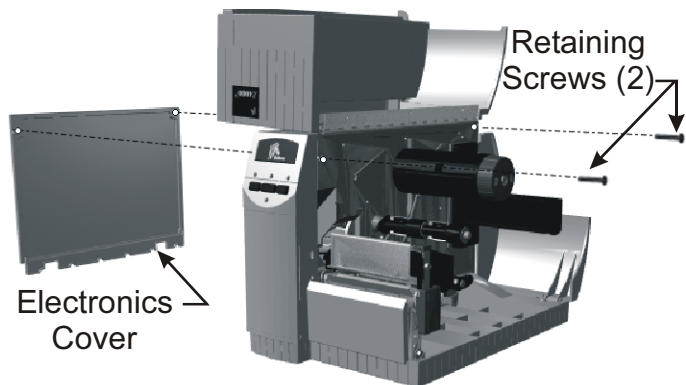



Figure 2. Remove the Electronics Cover



CAUTION:
OBSERVE PROPER
ELECTROSTATIC SAFETY
PRECAUTIONS WHEN
REMOVING, HANDLING AND
REPLACING ELECTRICAL
COMPONENTS.

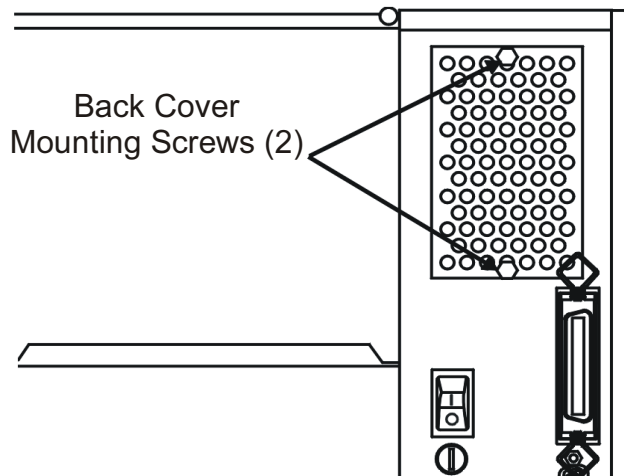


Figure 3. Back Cover Mounting Screws

4. Remove the top left side power supply PC board mounting screw and replace it with the standoff supplied with the kit (see Figure 4). This screw is no longer needed.
5. From behind the main PC board assembly, place the stud plate through the three holes on the main PC board assembly. Also from behind the main PC board, push the temporary fastener through the aligning hole on the right hand side, as shown in Figure 5.
6. Place the elastomeric connector over the stud plate and then the PCMCIA board against the elastomeric connector. Make sure the connector is fully seated and both conductive elements are in place (see Figure 5).

Note: Make sure the elastomeric connector is fully seated between the PCMCIA board and the main PC board (see Figure 6). If the connector is not fully seated, the PCMCIA option will not function.

7. Once the alignment is achieved and the connector is fully seated, secure the PCMCIA board to the main PC board using the washers and thumbnuts supplied in the kit. Using the screw and washer shown in Figure 1 (items #9 and #10) to secure the PCMCIA board to the standoff (see Figure 4).
8. Secure the new cover supplied in the kit by using the two screws previously removed. Place a PCMCIA card into the cover slot to ensure the card fits into the PCMCIA board with no obstruction.
9. Replace the electronics cover and tighten the two screws to secure the cover to the printer.
10. Replace media and ribbon, if removed previously, close the cover and reconnect power to the printer.

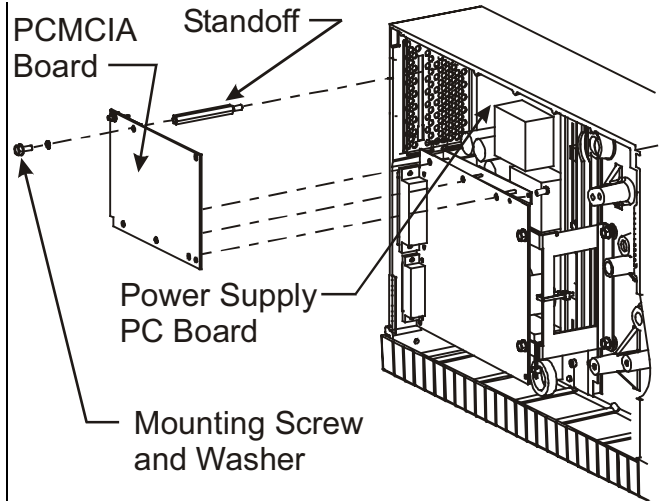


Figure 4. Standoff Mounting Location

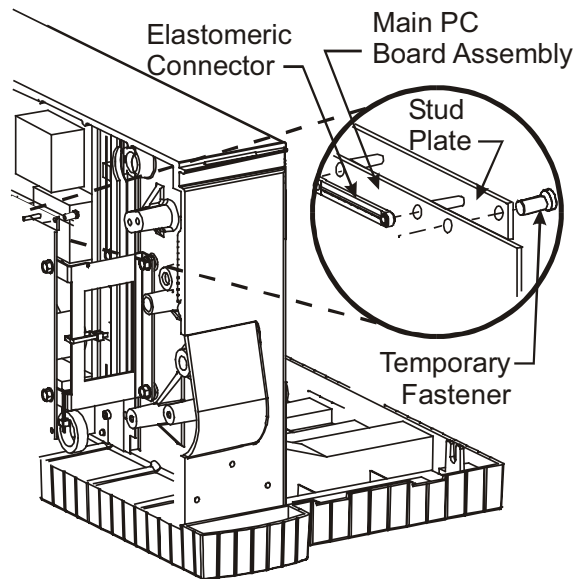


Figure 5. Elastomeric Connector and Stud Plate Installation

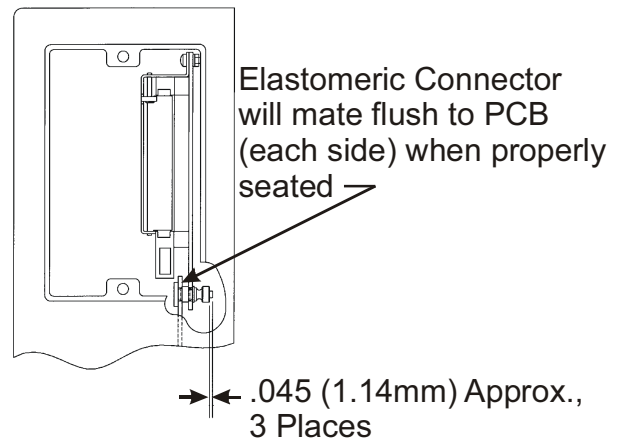


Figure 6. Board-to-Board Connector Detail (from Rear of Printer)

11. Insure an **initialized PCMCIA Card** is installed (see Initializing a PCMCIA Card in the Z Series User's Guide or below). Turn the printer power on and print a configuration label (CANCEL Test) to ensure the printer recognizes the PCMCIA option (see Figure 7).
12. If the configuration label does not show **“Installed.....B: Memory”** (see Figure 7), make sure you are using an **initialized PCMCIA Card** and print another configuration label. If you are still not showing an **“Installed.....B: Memory”**, turn the printer power OFF at the rear of the printer and disconnect the AC power cord. Remove the electronics side cover and loosen the three thumbnuts and the standoff mounting screw. Realign the elastomeric connector to both board assemblies then retighten the thumbnuts. Reconnect the AC power cord and run another CANCEL test to ensure proper connection.

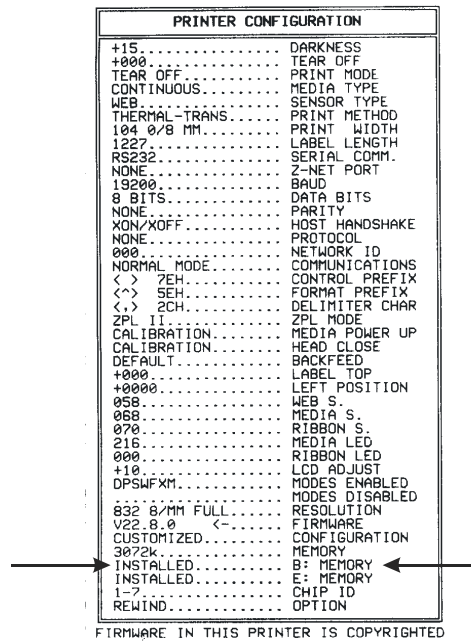


Figure 7. Configuration Label



CAUTION:

MANUAL INITIALIZATION WILL ERASE THE CONTENTS OF BOTH THE FLASH MEMORY CHIP AND PCMCIA CARD. BE SURE TO ENABLE THE WRITE PROTECTION FEATURE OF THE PCMCIA CARD OR REMOVE THE PCMCIA CARD (IF YOU DO NOT WANT IT INITIALIZED). REMOVE THE FLASH MEMORY CHIP (IF YOU DO NOT WANT IT INITIALIZED) WHEN MANUALLY INITIALIZING A PCMCIA CARD.

Initializing the PCMCIA Card

A PCMCIA card must be initialized (formatted) before it can be used in the printer (or recognized by the printer). As of firmware release V22.8.7, when a blank card is first installed in the port at the rear of the printer, and power is turned ON, the card is automatically initialized. Once initialized (depending on the amount of memory in the memory card, initialization may take up to five minutes to complete), the card can be removed and reinstalled as needed, without losing the data stored inside. Preprogrammed PCMCIA Cards are initialized by their respective manufacturers and will not be reinitialized when installed in the printer.

If you have firmware earlier than V22.8.7, or need to manually initialize a new PCMCIA Card (or reinitialize an older card), perform the following procedures.

For printers with the Standard Front Panel

Initialize (erase) the optional onboard Flash Memory device and the PCMCIA card by pressing and holding the three left hand control keys inside the printer’s front panel door while turning the printer power ON. The keys may be released anytime after the first front panel LED turns OFF. The Front Panel DATA LED will remain on until the initialization process is finished. *Depending on the amount of memory in the memory card, initialization may take up to five minutes to complete.*

For printers with the Deluxe Front Panel

Turn the printer ON. Press the START/SAVE Key to enter the Configuration Mode. Once in the Configuration Mode, the first major menu selection (General Setup) is displayed. Press the NEXT MENU Key until ADVANCED SETUP is displayed.

Once in ADVANCED SETUP, press the NEXT ITEM Key until the INITIALIZE CARD configuration is displayed. Follow the instructions in Table 2 to initialize the PCMCIA Card.

Table 2. Deluxe Panel PCMCIA Card Initialization Procedures

ADVANCED SETUP	
PARAMETER	SELECTIONS
INITIALIZE CARD (password required)	<p>This parameter allows you to initialize (erase) the PCMCIA Card installed in the optional PCMCIA Port.</p> <p>CAUTION: Perform this operation only when it is necessary to erase all previously stored information from the optional memory card or installing a new memory card. Press the NEXT ITEM key to bypass this function.</p> <ol style="list-style-type: none"> Press the “+” key to select “YES”. <p>If your printer is set to require a password, you will now be prompted to enter the password. Enter the password then press the NEXT ITEM key (default password is 1234).</p> <ol style="list-style-type: none"> The display will ask “INITIALIZE CARD”. Press the “+” key to select “YES”. The front panel LCD will ask ARE YOU SURE? Press the “-” key to select “NO” to cancel the request and return to the “INITIALIZE CARD” prompt. <p style="text-align: center;">Or</p> <p>Press the “+” key to select “YES” to begin the initialization process.</p> <ol style="list-style-type: none"> Press the START/SAVE key twice. If initialization is still in process, the front panel display will flash back and forth between the two phrases: <p style="text-align: center;">“CHECKING MEMORY CARD” and “PRINTER IDLE”</p> <p>When initialization is complete, the printer will automatically exit the configuration mode and the front panel will display “PRINTER READY”.</p> <p><i>Note: Depending on the amount of memory in the memory card, initialization may take up to five minutes to complete.</i></p>

Notes