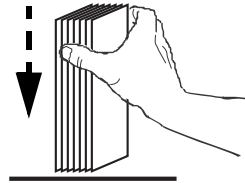
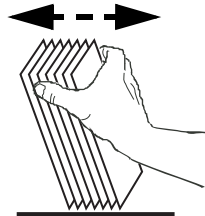


Loading Cards

- Step 1.** Open the Input Hopper Door.
- Step 2.** Remove the wrapping from the card deck.
- Step 3.** Holding the card deck by the sides, hold it vertically against a flat surface such as a desktop. If the deck is too thick for your hand to hold it comfortably, use about half a deck at a time.

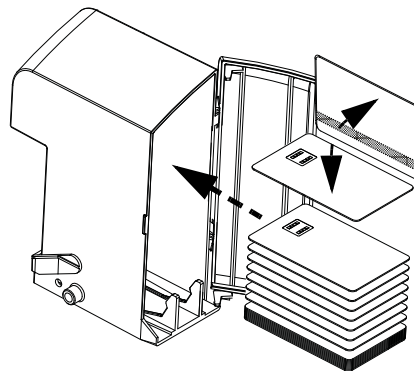


- Step 4.** Push the stack back and forth to an angle of about 45° from vertical, so as to separate all of the cards.



- Note** • Static charges and edge burrs from the card die-cutting process can render individual cards stuck together with significant adhesion force. These cards *must be* physically separated from each other before inserting into the feeder; if not separated, feeding or printing problems may occur.

- Step 5.** Restore the card stack to its original squared-off condition.
- Step 6.** Place the cards in the Input Hopper in the correct orientation as shown. Ensure that the cards are seated properly the hopper.



- Step 7.** Close the Input Hopper Door.