



---

# Cleaning



---

**Caution** • PROTECT YOUR FACTORY WARRANTY!

The recommended cleaning procedures must be performed to maintain your factory warranty. Other than the recommended cleaning procedures described in this manual, allow only Zebra authorized technicians to service the P430i Printer.

**NEVER** loosen, tighten, adjust, bend, etc., any part or cable inside the printer.

**NEVER** use a high pressure air compressor to remove particles in the printer.

---

## Cleaning the Printer

Clean your P430i Printer using Pre-Saturated Cleaning Cards provided. The regular use of these cards will clean and maintain important parts of your printer that cannot be reached, including the Print Head, Transport Rollers, and optional Magnetic Encoder Station.

### When to Clean

When the LCD Panel displays the message **CLEAN PRINTER**.

Approximately every 1000 cards when using 5-panel color ribbon, or every 5000 cards when using a monochrome ribbon.

## How to Clean



**Note** • This cleaning procedure uses two cleaning cards. One cleaning card is the size of a regular plastic card, and is referred to as the “cleaning card.” The other is elongated, with a wider section at one end; it is referred to as the “long cleaning card.”

1. Leave the Printer power on, or turn it on if it was off.
2. Initiate the cleaning process by either of the following methods:
  - At the printer, press and hold the panel button for several seconds, until the LCD Panel displays the message **REMOVE RIBBON THEN CLOSE HEAD**.
  - From the computer, enter the P430i Printer Tools software, and click on the CLEAN button. The LCD Panel will display the message **REMOVE RIBBON THEN CLOSE HEAD**.
3. Open the Main Cover, release the Print Head Carriage, and remove the ribbon. Then close the Print Head Carriage. (For details, see Chapter 2.) The LCD Panel will display the message **EMPTY FEEDER & PRESS BUTTON**.
4. Open the Card Feeder Cover and remove cards from the Card Feeder. The last card is difficult to remove; leave it in place. Press the Panel Button on the front of the printer. The card remaining in the feeder will be ejected. The LCD Panel will then display the message **LOAD CLEANING CARD IN FEEDER**.
5. Place a pre-saturated Cleaning Card into the Card Feeder. The Cleaning Card will automatically feed into the printer and the cleaning process will start (there is a several second delay after the Cleaning Card feeds before the cleaning movement starts). While the cleaning process is underway, the LCD Panel will display the message **CLEANING PRINTER**.
6. At the conclusion of this part of the cleaning process, the Cleaning Card will be ejected, and the LCD Panel will display the message **PRESS BUTTON TO CONTINUE**.
7. After the user presses the panel button, the LCD Panel will display the message **FEED LONG CLEANING CARD IN EXIT**. Insert the long end of the long cleaning card into the card exit (directly above the Output Hopper). If the user inserts a “regular” cleaning card into the card exit, the LCD Panel will display the message **INVALID CARD, PRESS BUTTON** until the user presses the panel button and inserts the long cleaning card into the card exit.



**Note** • If the user does nothing at this point (i.e., does not insert the long cleaning card), after a timeout the LCD Panel display will change to **CLEAN PRINTER**. The printer will be able to print, but the LCD Panel will continue to display **CLEAN PRINTER**.

This limited cleaning does not do a thorough cleaning, but may be performed if no “long cleaning cards” are available.

To restore the display to **READY**, you will need to perform a complete cleaning process, using both short and long cleaning cards, from step 2 above through step 9 below.

8. The long cleaning card will automatically feed into the printer and the printing process will continue. The LCD Panel will again display the message **CLEANING PRINTER**.
9. When the cleaning process is completed, the long cleaning card will be ejected and the LCD Panel will display the message **READY**, indicating that the printer is ready to resume normal printing operations.

10. Discard both cleaning cards after a single use.



**Note** • Do not use previously used cleaning cards.

## Cleaning the Print Head

A cleaning using the Cleaning Cards usually suffices. However, a separate Print Head cleaning can remove more stubborn deposits when print anomalies persist. To avoid deposits, only use foam-tipped swabs.

1. Place the printer power switch in the OFF ( **O** ) position.
2. Open the Main Cover, release the Print Head Carriage, and remove the ribbon. Leave the Print Head Carriage in its raised position. (For details, see Chapter 2.)
3. Clean Print Head by moving an alcohol-moistened swab tip side-to-side across the Print Head elements. Only use moderate force. To re-order swabs, please refer to the Media List on the Windows Drivers and User Documentation CD supplied with this printer.
4. The swabs can also be used in a similar manner to clean the optional magnetic encoding head.



---

**Caution** • Never use a sharp object or any abrasive to scrape deposits from the print head. Permanent damage to the print head will result.

---



---

**Caution** • Do not touch the print head if the printer has been in service in the last 10 minutes. It could be very hot and cause a burn.

---

## Card Cleaning Cartridge

Your P430i Printer includes a Card Cleaning Cartridge. This item cleans the cards entering the printer through the card feeder. To ensure print quality, the cleaning roller requires periodic replacement. New cleaning rollers are included with each ribbon or may be purchased separately. (To reorder, please refer to the Media List on the Windows Drivers and User Documentation CD supplied with this printer.)

Installation of the Card Cleaning Cartridge is described in Chapter 2 and is not repeated in detail here.



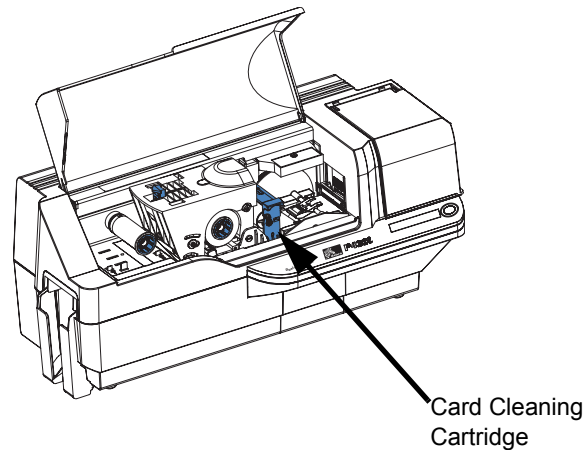
**Note** • Before replacing the Card Cleaning Cartridge or its cleaning roller, clean the Printer using the Cleaning Cards as described earlier in this chapter.

### When to Replace the Cleaning Roller

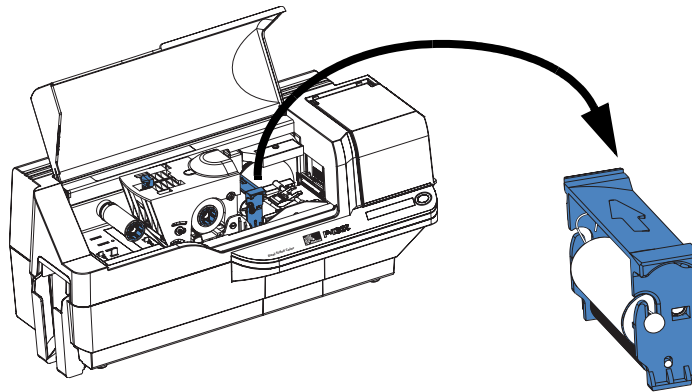
Replace the Cleaning Roller each time you install a new ribbon.

### How To Replace the Cleaning Roller

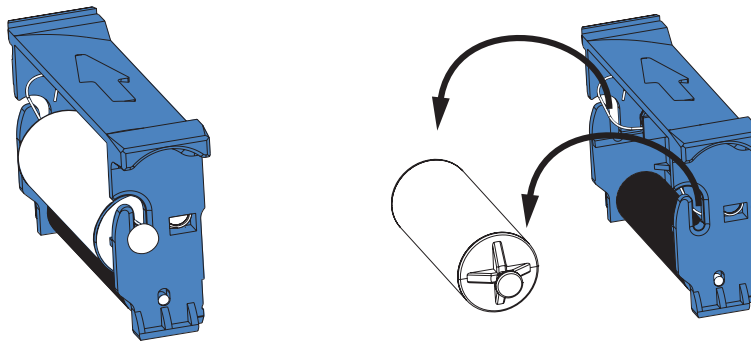
1. Open the Main Lid and locate the Card Cleaning Cartridge.



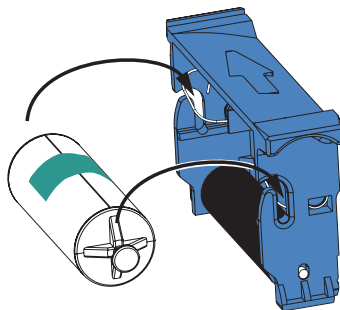
2. Gently remove the Card Cleaning Cartridge. Lift the “handle” end, and then pull it away from the printer.



3. Remove the cleaning roller from the Card Cleaning Cartridge and discard.

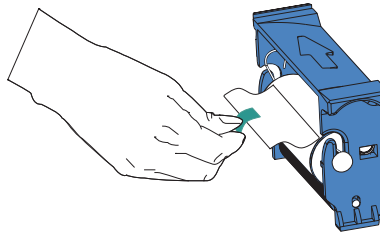


4. Install new cleaning roller into the Card Cleaning Cartridge. To avoid contamination, always hold the cleaning roller by the ends. (For replacement cleaning rollers, please refer to the Media List on the Windows Drivers and User Documentation CD supplied with this printer.)



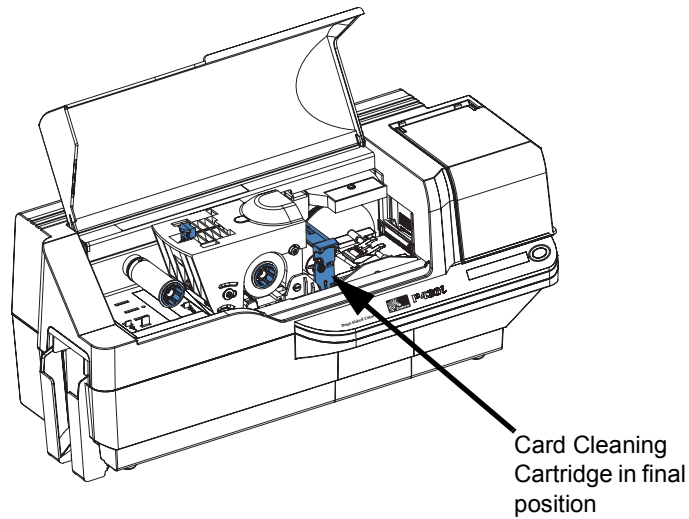
5. Peel protective wrapper from the cleaning roller by gently pulling on the tape.

**Cleaning**  
Card Cleaning Cartridge



**Note** • DO NOT touch the adhesive roller surface that contacts the cards.

6. Replace the Card Cleaning Cartridge into the printer. For detailed instructions, see [Installing the Card Cleaning Cartridge](#) on page 14.



7. Close the printer Main Lid.