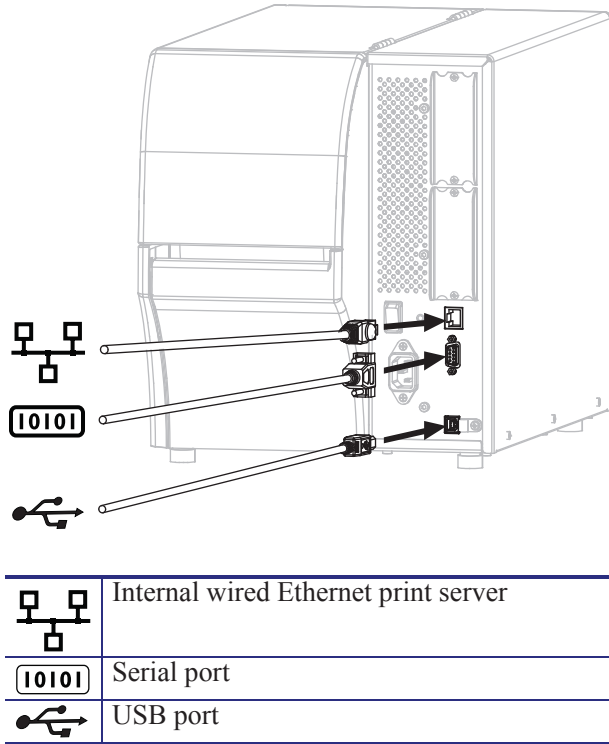


Select a Communication Interface

You may connect your printer to a computer using one or more of the available connections. The standard connections are shown in [Figure 1](#). A ZebraNet wired or wireless print server option or a parallel port may also be present on your printer.


Figure 1 • Communication Interfaces



[Table 2 on page 25](#) provides basic information about communication interfaces that you can use to connect your printer to a computer. You may send label formats to the printer through any communication interface that is available. Select an interface that is supported by both your printer and your computer or your Local Area Network (LAN).

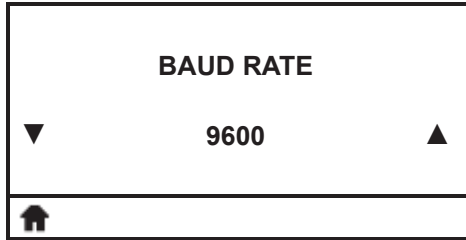
Caution • Ensure that the printer power is off (O) before connecting data communications cables. Connecting a data communications cable while the power is on (I) may damage the printer.

Table 2 • Communication Interfaces

Interface	Standard or Option	Description
Bluetooth®	Standard	<p>Limitations and Requirements Many mobile devices can communicate with the printer within a 10-foot radius of the printer.</p> <p>Connections and Configuration Refer to the <i>Zebra Bluetooth User Guide</i> for specific instructions for configuring your printer to use a Bluetooth interface. A copy of this manual is available at http://www.zebra.com/manuals.</p>
RS-232 Serial	Standard	<p>Limitations and Requirements</p> <ul style="list-style-type: none"> • Maximum cable length of 50 ft (15.24 m). • You may need to change printer parameters to match the host computer. • You need to use a null-modem adaptor to connect to the printer if using a standard modem cable. <p>Connections and Configuration The baud rate, number of data and stop bits, the parity, and the XON/XOFF or DTR control must match those of the host computer.</p>
USB	Standard	<p>Limitations and Requirements</p> <ul style="list-style-type: none"> • Maximum cable length of 16.4 ft (5 m). • No printer parameter changes required to match the host computer. <p>Connections and Configuration No additional configuration is necessary.</p>
Wired Ethernet print server	Standard	<p>Limitations and Requirements</p> <ul style="list-style-type: none"> • Can print to the printer from any computer on your LAN. • Can communicate with the printer through the printer’s web pages. • The printer must be configured to use your LAN. • A parallel connection or a wireless print server (if installed) takes up this port on the printer. <p>Caution • Be careful not to plug a USB cable into a wired Ethernet print server connector on the printer because doing so will damage the Ethernet connector.</p> <p>Connections and Configuration Refer to the <i>ZebraNet Wired and Wireless Print Servers User Guide</i> for configuration instructions. A copy of this manual is available at http://www.zebra.com/manuals.</p> <p> Note • To use this connection, you may need to remove a factory-installed plug that is designed to keep someone from accidentally plugging a USB connector into this port.</p>

 **PORTS Menu**

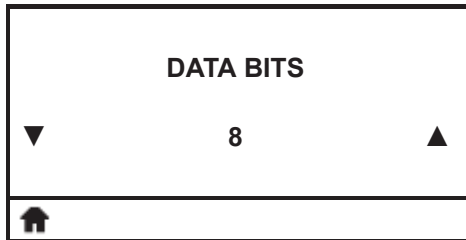
Items in this menu are shown in the order in which they appear when you press the RIGHT ARROW. For more information about these settings, see [Table 7, Port Settings on page 87](#).



Set the Baud Rate

Select the baud value that matches the one being used by the host computer.

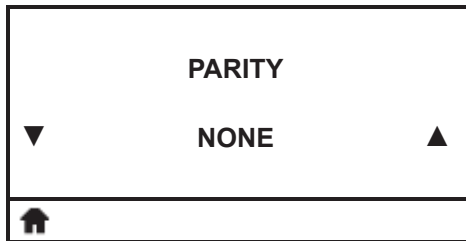
See [Baud Rate on page 87](#) for more information.



Set the Data Bits Value

Select the data bits value that matches the one being used by the host computer.

See [Data Bits on page 87](#) for more information.



Set the Parity Value

Select the parity value that matches the one being used by the host computer.

See [Parity on page 87](#) for more information.



Set the Host Handshake Protocol Value

Select the handshake protocol that matches the one being used by the host computer.

See [Host Handshake on page 88](#) for more information.

Port Settings

Table 7 • Port Settings

Baud Rate	Select the baud value that matches the one being used by the host computer.	
	<i>Accepted values:</i>	<ul style="list-style-type: none"> • 115200 • 57600 • 38400 • 28800 • 19200 • 14400 • 9600 • 4800
	<i>Related ZPL command(s):</i>	^SC
	<i>SGD command used:</i>	comm.baud
	<i>User menu item:</i>	BAUD RATE on page 115
	<i>Printer web page:</i>	View and Modify Printer Settings > Serial Communications Setup
Data Bits	Select the data bits value that matches the one being used by the host computer.	
	<i>Accepted values:</i>	<ul style="list-style-type: none"> • 7 • 8
	<i>Related ZPL command(s):</i>	^SC
	<i>SGD command used:</i>	comm.data_bits
	<i>User menu item:</i>	DATA BITS on page 115
	<i>Printer web page:</i>	View and Modify Printer Settings > Serial Communications Setup
Parity	Select the parity value that matches the one being used by the host computer.	
	<i>Accepted values:</i>	<ul style="list-style-type: none"> • NONE • EVEN • ODD
	<i>Related ZPL command(s):</i>	^SC
	<i>SGD command used:</i>	comm.parity
	<i>User menu item:</i>	PARITY on page 115
	<i>Printer web page:</i>	View and Modify Printer Settings > Serial Communications Setup

Table 7 • Port Settings (Continued)

Host Handshake	Select the handshake protocol that matches the one being used by the host computer.	
<i>Accepted values:</i>	<ul style="list-style-type: none"> • XON/XOFF • RTS/CTS • DSR/DTR 	
<i>Related ZPL command(s):</i>	^SC	
<i>SGD command used:</i>	comm.handshake	
<i>User menu item:</i>	HOST HANDSHAKE on page 115	
<i>Printer web page:</i>	View and Modify Printer Settings > Serial Communications Setup	