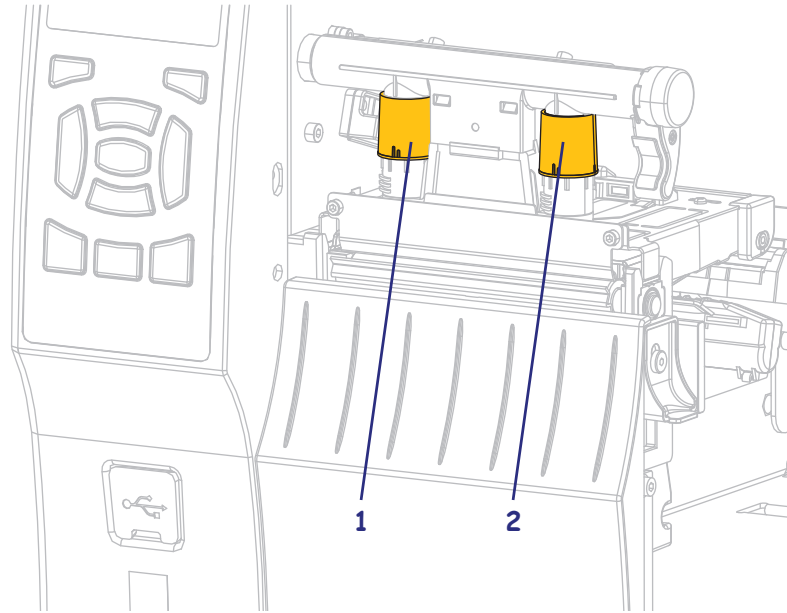


Adjust the Printhead Pressure

You may need to adjust printhead pressure if printing is too light on one side, if you use thick media, or if the media drifts from side to side during printing. Use the lowest printhead pressure necessary to produce good print quality.

See [Figure 3](#). The printhead pressure adjustment dials have setting marks from 1 to 4.

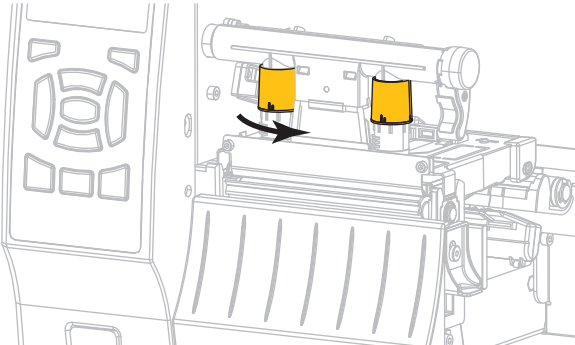
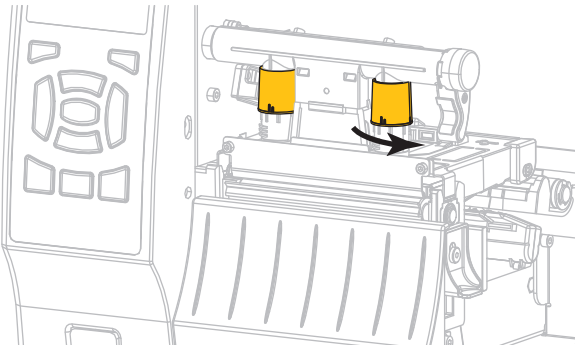
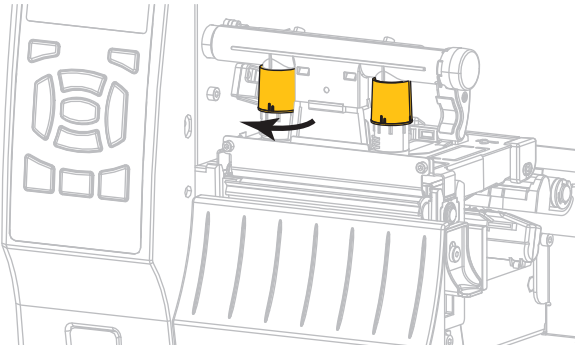
Figure 3 • Printhead Pressure Adjustment Dials

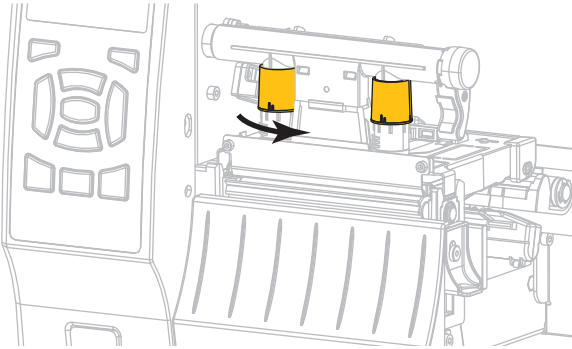


1	Inside dial
2	Outside dial

If necessary, adjust the printhead pressure adjustment dials as follows:

If the media...	Then...
Requires higher pressure to print well	Increase both dials one position.

If the media...	Then...
Prints too lightly on the left side of the label.	Increase the inside dial setting one position. 
Prints too lightly on the right side of the label.	Increase the outside dial setting one position. 
Shifts left while printing	Increase the outside dial setting one position. OR Decrease the inside dial setting one position. 

If the media...	Then...
Shifts right while printing	<p data-bbox="837 268 1333 300">Increase the inside dial setting one position.</p>  <p data-bbox="837 699 878 730">OR</p> <p data-bbox="837 741 1357 772">Decrease the outside dial setting one position.</p> 