

Clean the Cutter Module

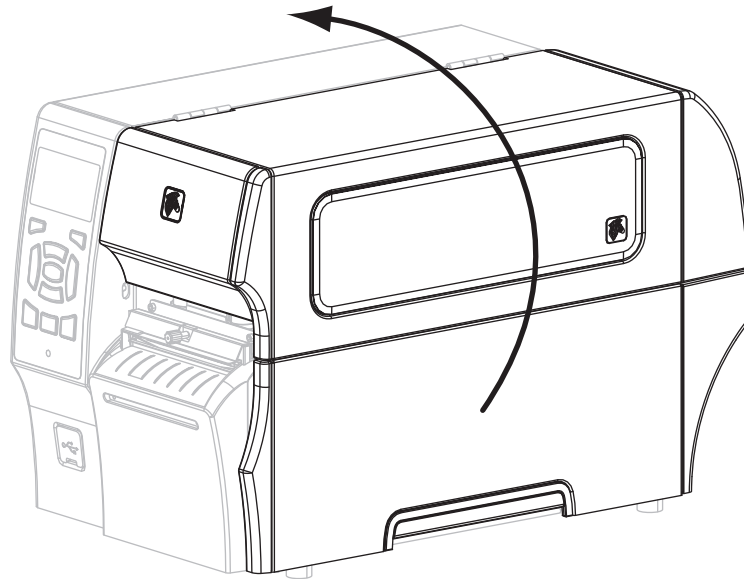
If the cutter is not cutting the labels cleanly or if it jams with labels, clean the cutter.



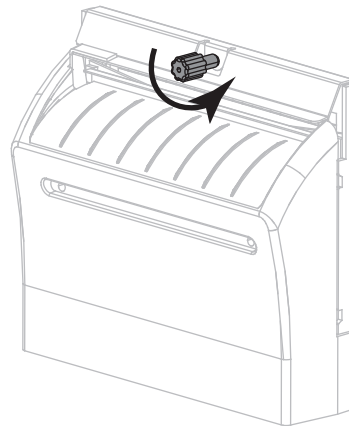
Caution • For personnel safety, always power off and unplug the printer before performing this procedure.

To clean the cutter module, complete these steps:

1. Turn the printer off (O), and unplug the printer from its power source.
2. Raise the media door.



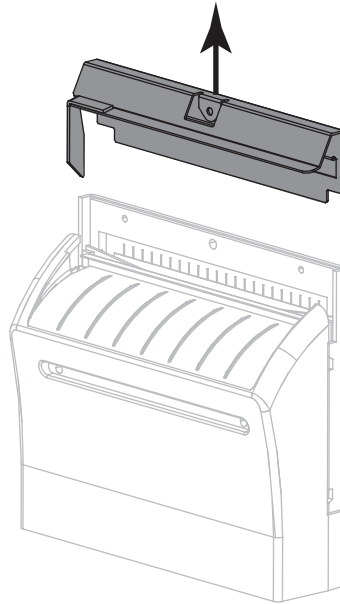
3. Remove media that is loaded through the cutter module.
4. Loosen and remove the thumbscrew and lock washer on the cutter shield.



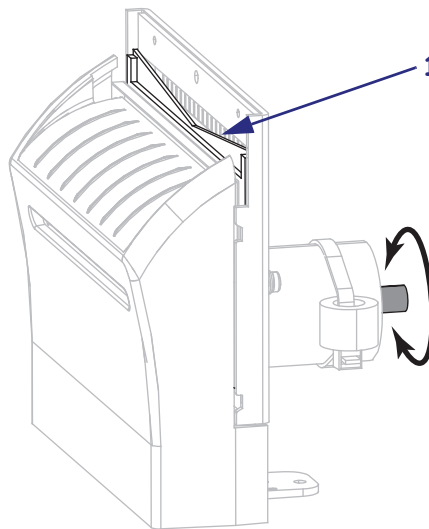


5. **Caution** • The cutter blade is sharp. Do not touch or rub the blade with your fingers.

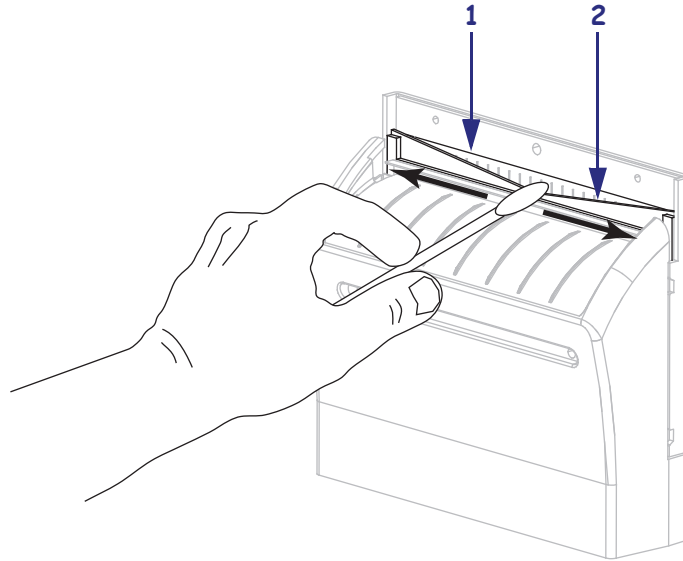
Remove the cutter shield.



6. If necessary, rotate the cutter motor thumbscrew to fully expose the V-shaped cutter blade (1).

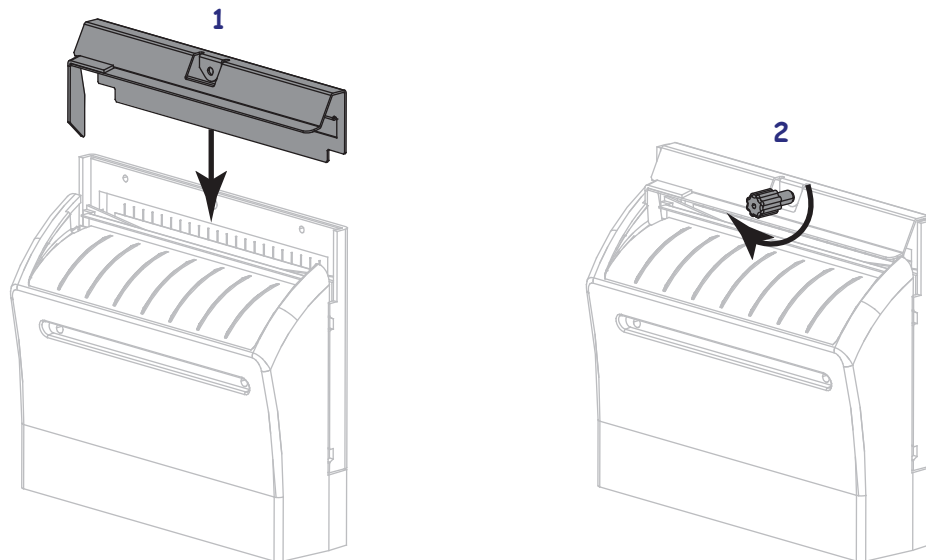


7. Using the swab from the Preventive Maintenance Kit (part number 47362), wipe along the upper cutting surface (1) and the cutter blade (2). In place of the Preventive Maintenance Kit, you may use a clean swab dipped in a solution of isopropyl alcohol (minimum 90%) and deionized water (maximum 10%). Allow the solvent to evaporate.

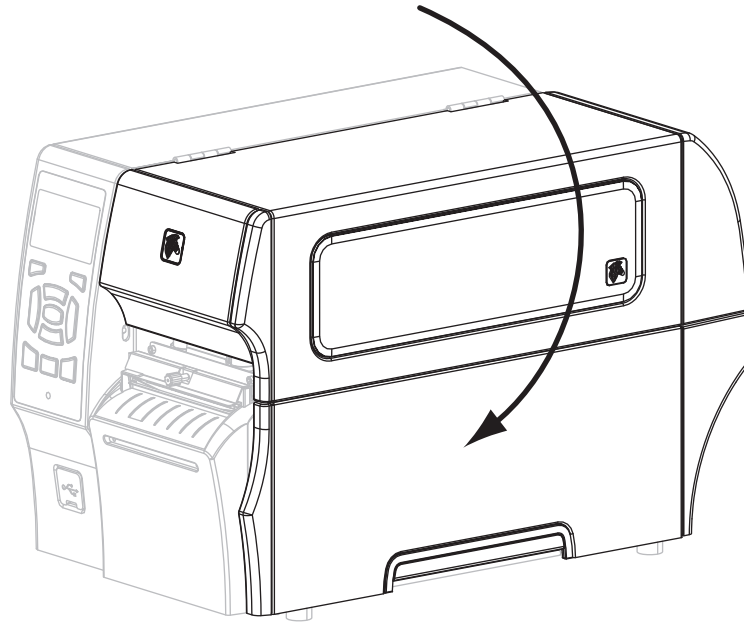


8. **Caution** • The cutter blade is sharp. For operator safety, replace the cutter shield.

Replace the cutter shield (1) and secure it with the thumbscrew and lock washer that you removed earlier (2).



9. Close the media door.



10. Plug the printer into its power source, and then turn on (I) the printer.
The cutter blade returns to its operating position.
11. If the cutter continues to perform unsatisfactorily, contact an authorized service technician.