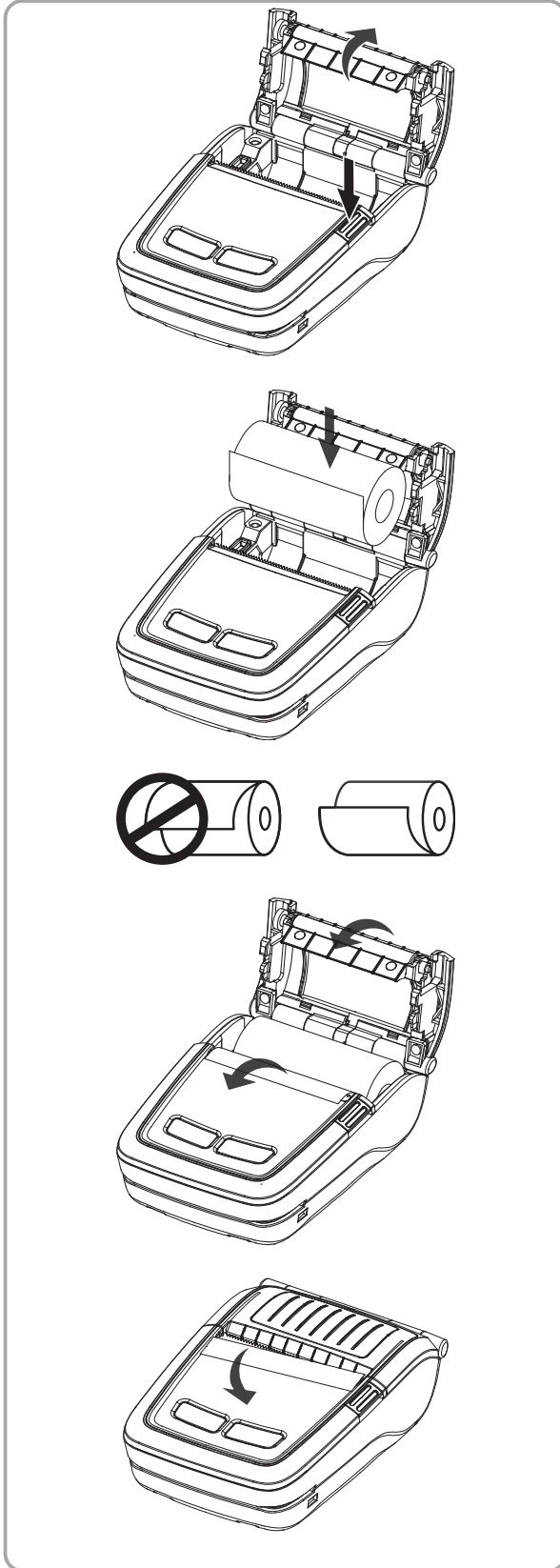


**3-3 Paper Installation**



1. Press the Open button to open the media cover.

2. Insert the paper as shown. (Remove the empty core.)

3. Align the paper as shown.

4. Pull out the paper as shown and close the media cover.

5. Tear off any excess paper toward the side of the printer.