

## Getting Ready to Print

The printer setup cannot be completed without media. The media may be labels, tags, tickets, receipt paper, fan-fold stacks, tamper proof labels, etc. Ideally choose the same media used for normal operation. This will help you identify any setup and real application issues while using this guide. The printer does not come with media.

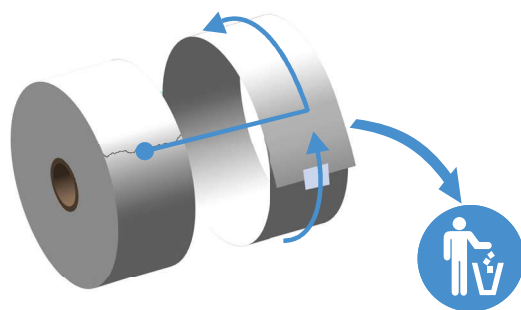
The Zebra Web site or your reseller may be able to help you select the right media for your intended printing application. Find media at: [www.zebra.com/supplies](http://www.zebra.com/supplies)

## Preparing and Handling Media

Careful handling and storage of your media is important in order to maximize print quality. If the media becomes contaminated or dirty, it can damage the printer and cause defects in the printed image (voids, streaks, discoloration, compromise the adhesive, etc.).



**Important** • During manufacturing, packaging, handling and storage, the outside length of media may become dirty or contaminated. We recommend removing the outside layer of the media roll or stack. This will remove any contaminants which might be transferred onto the printhead during normal operation.



## Media Storage Tips

- Store media in a clean, dry, cool, dark area. Direct thermal media is chemically treated to be heat sensitive. Direct sunlight or heat sources may 'expose' the media.
- Do not store media with chemicals or cleaning products.
- Leave media in its protective packaging until it is going to be put in the printer.
- Many media types and label adhesives have a 'shelf life' or expiration date. Always use the oldest, viable (non-expired) media first.

## Loading Roll Media

The printers support the three basic types of media:

- **Continuous** (receipt, etc.) with no marks to define print length,
- **Marked media** (black lines, black marks, notches, or holes) to define print length
- **Label media** that uses the sensor to look through the media backing (liner) to see the beginning and end of labels on the roll.

The printer utilizes two (2) sensing methods to accommodate a wide range of media

- Center area transmissive sensing for continuous media and gap/web label media.
- Half width movable (reflective) sensing for print format (length) using black marks, black lines, notches or holes.

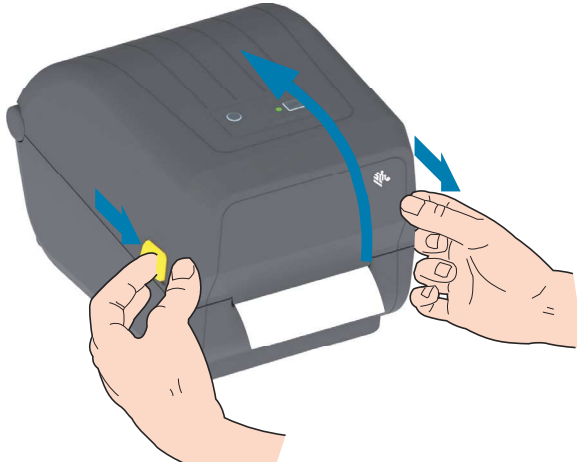
## Setting Media Sensing by Media type

- **For web/gap media**, the printer senses the differences between the label and the liner to determine the print format length.
- **For continuous roll media**, the printer only senses the media's characteristics. The print format's length is set by programming (driver or software) or the last stored form's length.
- **For black mark media**, the printer senses the beginning of the mark and the distance to the start of the next black mark to measure the print format length.
- **For other common media and setting variations**, see one of the following:
  - [Using the Label Dispenser Option](#) after you have loaded media using this procedure.
  - See [Printing on Fan-Fold Media](#).

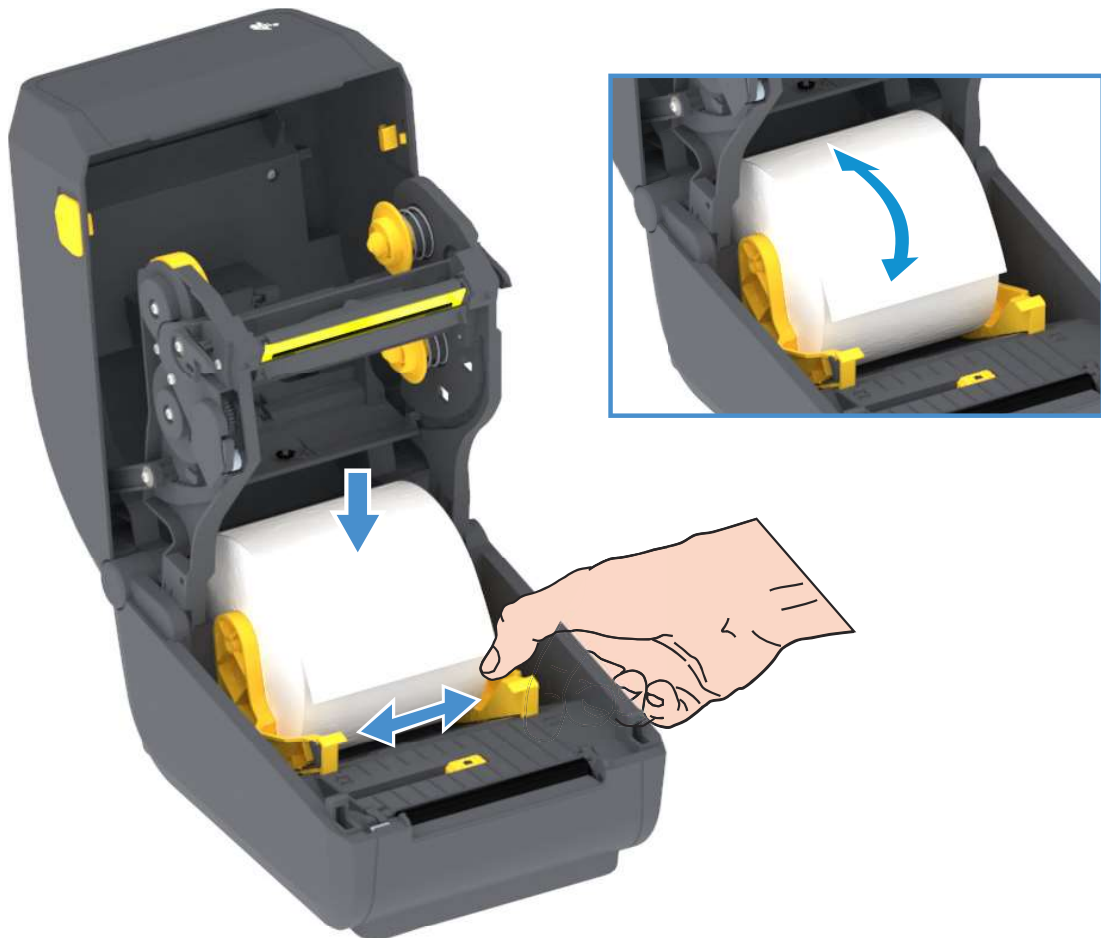
### Instructions for media loading:

This procedure works for Tear-Off (standard bezel), Label Dispense and Media Cutting printer options.

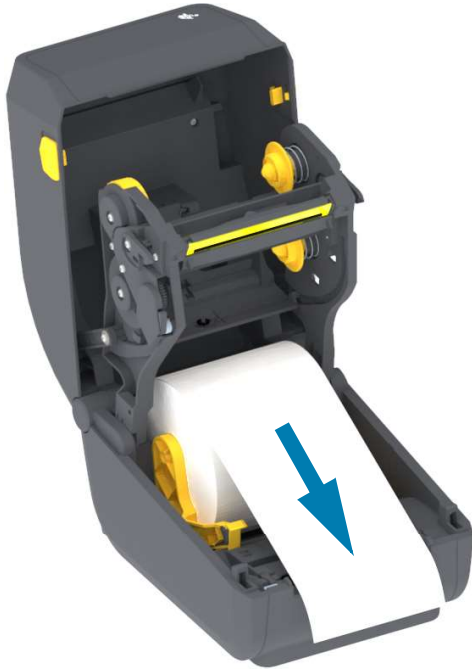
1. Open the printer. Pull the release latch levers toward the front of the printer.



2. Open the media roll holders. Orient the media roll so that its printing surface will face up as it passes over the platen (drive) roller. Pull the media guides open with your free hand and place the media roll on the roll holders and release the guides. Verify the roll turns freely. The roll must not sit in the bottom of the media compartment.



3. Pull the media so that it extends out of the front of the printer.

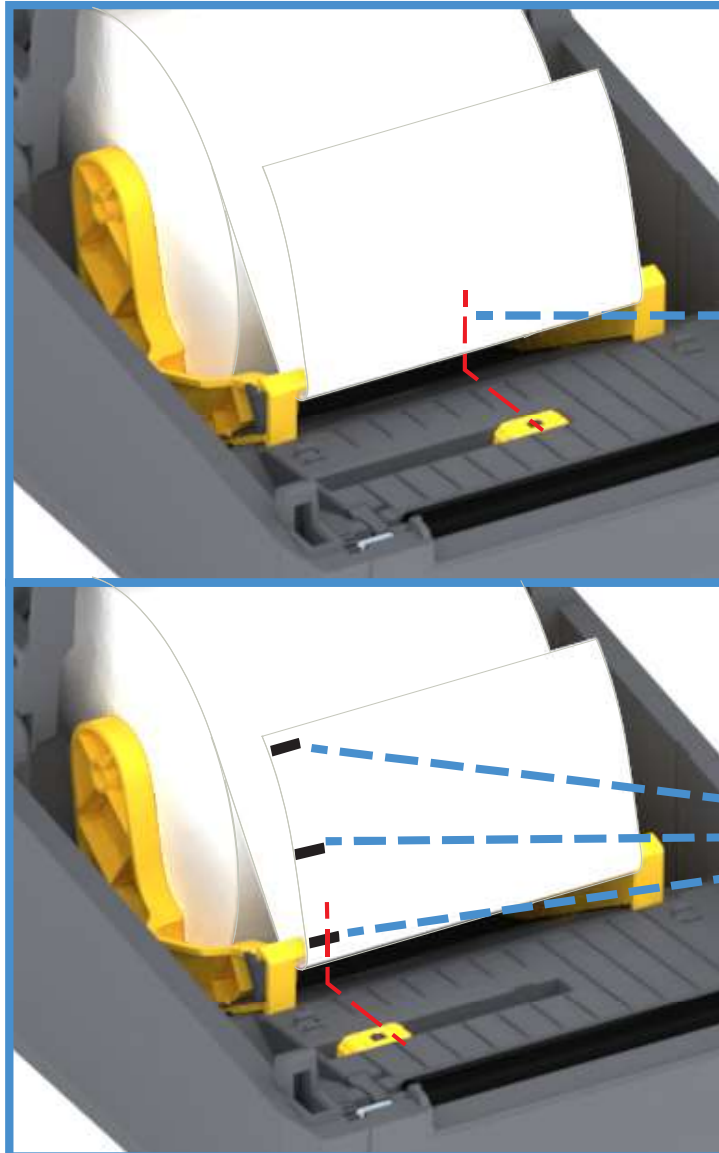


4. Push the media under both of the media guides.

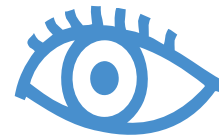
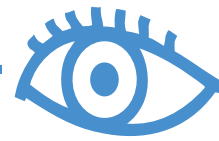


## Setup

5. Flip the media up and align the movable media sensor for your media type.
  - **For continuous roll receipt type media or label media** without black marks or notches, align the media to the default center position.
  - **For black mark (black line, notches or holes) backed media**, adjust the sensor position so the sensor aligns to the center of the black mark. Avoid the center area of the media to only use black mark sensing for operation with black marks.



**Default - Web (Gap) Sensing**  
Standard Operating Position



**Off Center**  
**Black Mark Sensing Only**

### Using the Movable Sensor

The movable sensor is a dual function sensor. It provides transmissive (sees through media) and reflective media sensing. The printer can use either sensing method, but not both at the same time.

The movable sensor has single sensor position for Web/Gap media, the **Default** position.

The movable sensor allows the printer to use media with **black marks** or **notches** (holes through the media) on the back side of the media (or media liner). The sensor aligns to the middle of black marks or notches not in the center of the media roll to avoid Web/Gap sensing array.

### Adjusting the Movable Sensor for Black Marks or Notches

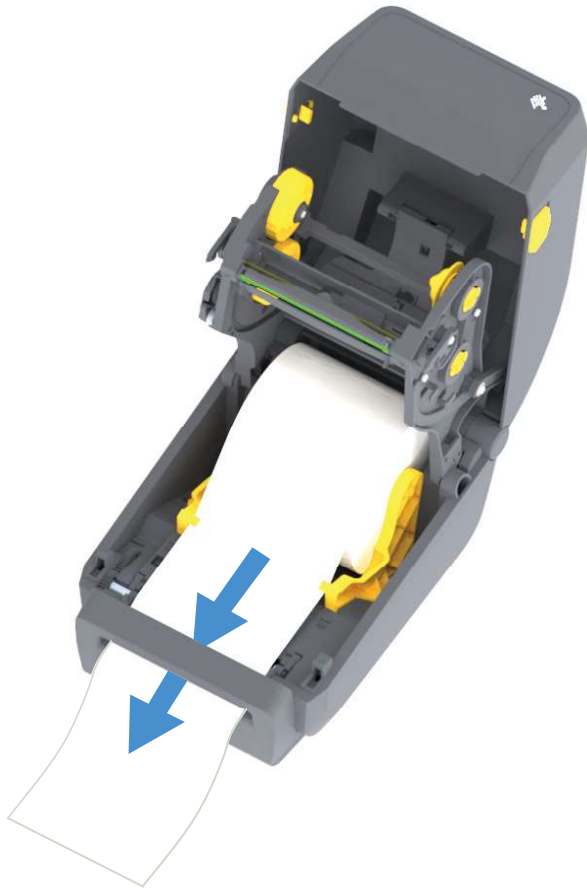
The black mark sensing looks for non-reflective surfaces such as black marks, black lines, notches or holes on the back of the media which do not reflect the sensor's near infrared light beam back to the sensor's detector. The sensor light and its black mark detector are next to each other under the sensor cover.

Position the movable sensor's alignment arrow to the middle of the black mark or notch in the underside of the media. Sensor alignment should be set as far as possible from the edge of media but where 100% of the sensor window is covered by the mark. When printing, the media can move from side to side  $\pm 1\text{mm}$  (due to media variations and edge damage due to handling). Notches cut into the side of the media can also become damaged.

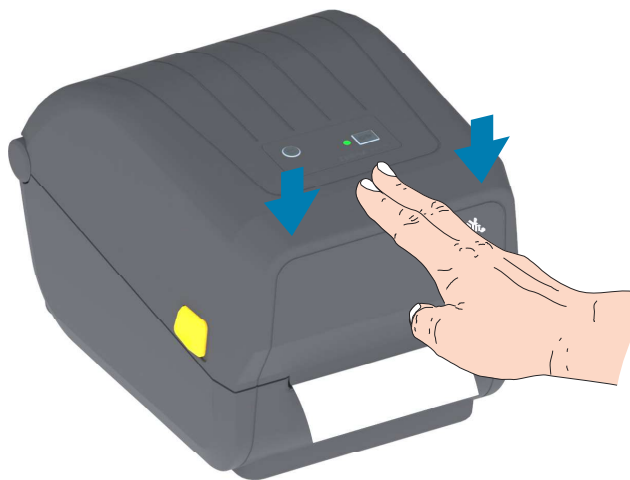


## Loading Roll Media (continued)

1. **Cutter Models** - For printers with the optional cutter module installed, thread the media through cutter's media slot and pull it out the front of the printer.



2. Close the printer. Press down until the cover snaps closed.



You may need to calibrate your printer for the media. The printer's sensors need to adjust to sense the label, the liner, and the distance between labels to operate properly. When reloading the same media (size, vendor, and batch), you can just press the FEED (Advance) button once to prepare the media for printing.