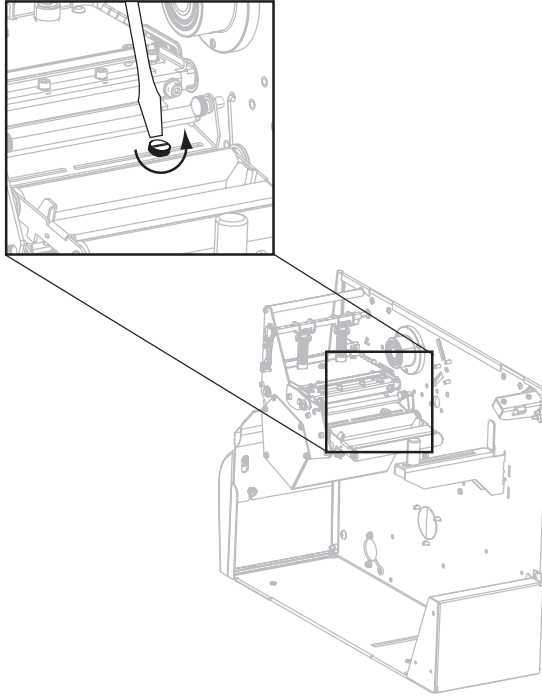
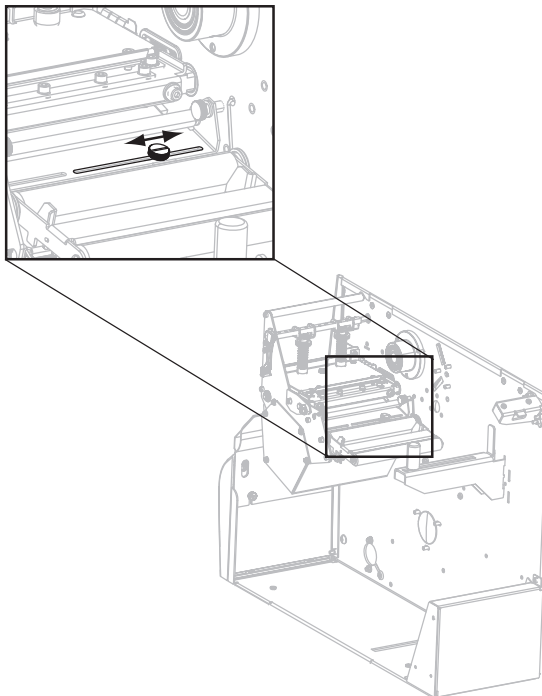


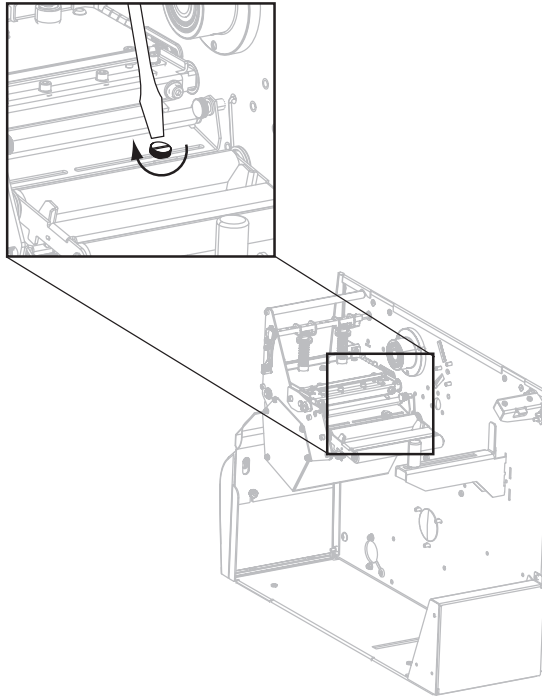
3. Using a thin, flat-blade screwdriver, loosen the upper media sensor adjustment screw.



4. Slide the upper media sensor along the slot to the desired position.



5. Tighten the adjustment screw to secure the upper media sensor in its new position.



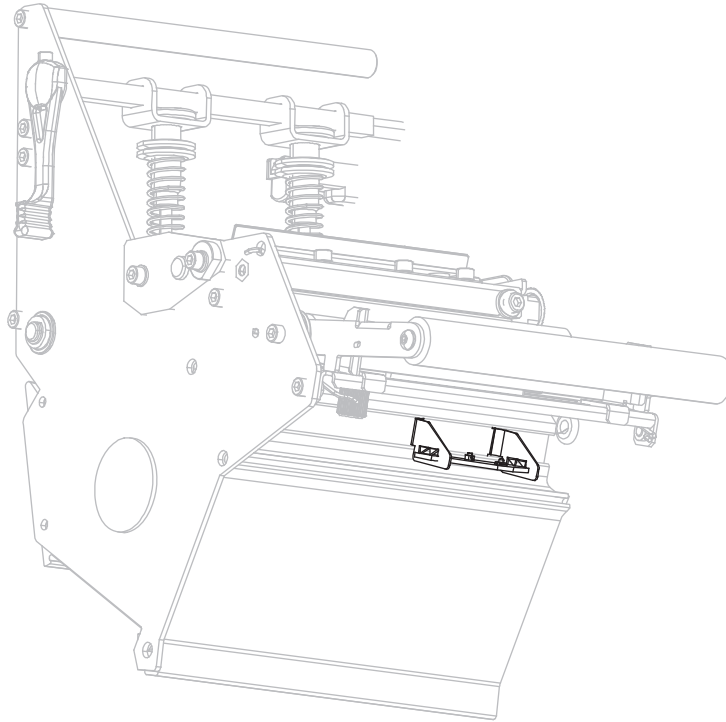
6. Adjust the lower media sensor to match the new position of the upper media sensor. See [Lower Media Sensor](#) on page 118.

Lower Media Sensor

After you adjust the upper media sensor, adjust the lower media sensor to match its new position.

To adjust the lower media sensor, complete these steps:

1. Locate the lower media sensor assembly under the rear roller. The sensor is a spring clip holding a circuit board.



2. Slide the lower sensor until it is under the upper media sensor. Use the light that shines from the lower sensor to help align it with the upper sensor. Gently pull the wires as needed (wires should have a little slack).