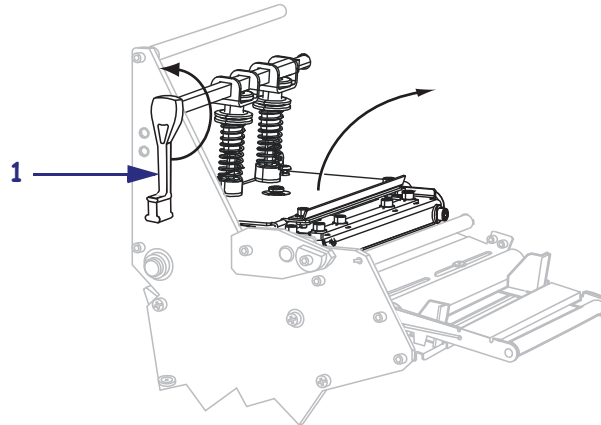


Load the Media

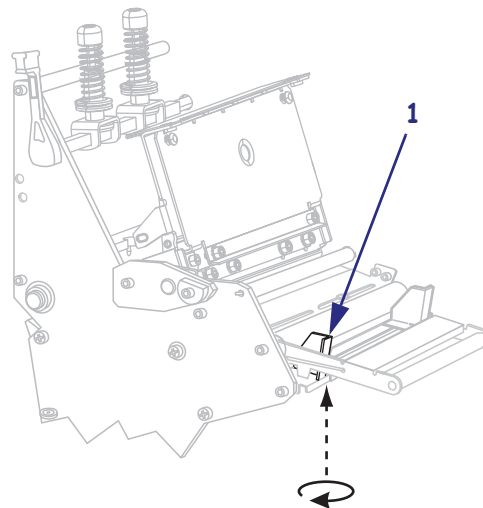


1. **Caution** • The printhead may be hot and could cause severe burns. Allow the printhead to cool.

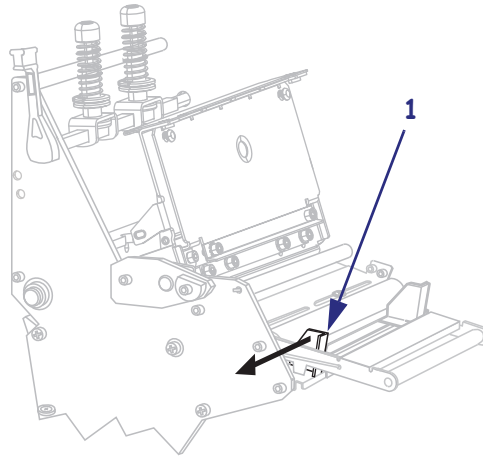
Open the printhead assembly by rotating the printhead-open lever (1).



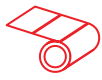
2. Loosen the thumb screw (not visible from this angle) that is located on the bottom of the outer media guide (1).



3. Slide the outer media guide **(1)** all the way out.

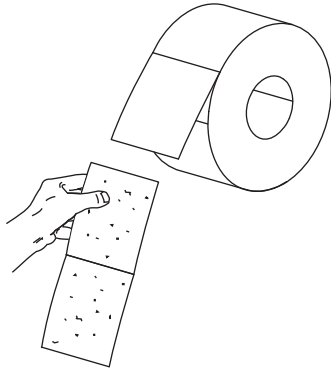


4. Insert media into the printer. Follow the instructions for roll or fanfold media, as appropriate.

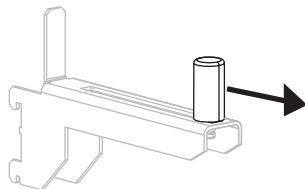


Roll Media

- a. Remove and discard any tags or labels that are dirty or that are held by adhesives or tape.



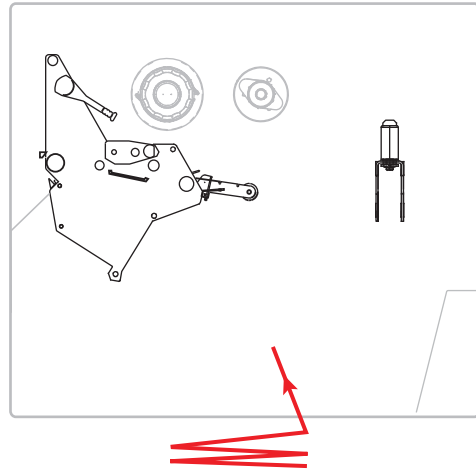
- b. Pull out the media supply guide as far as it goes.



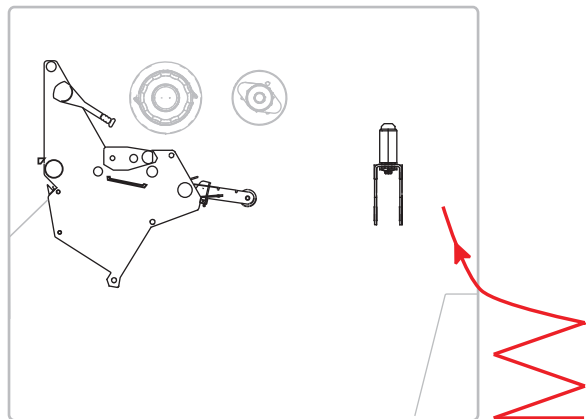
Fanfold Media

- a. Thread the fanfold media through the bottom or rear slot.

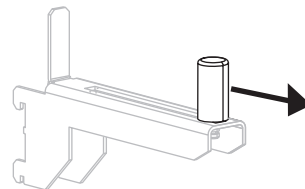
Bottom Feed

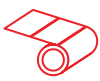


Rear Feed



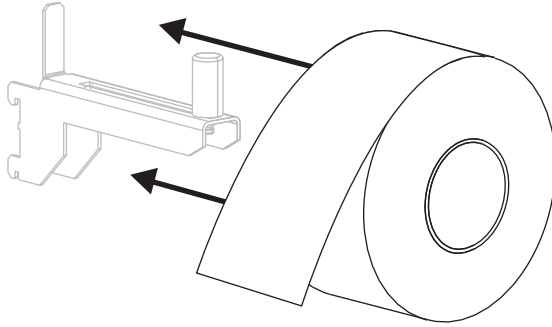
- b. Pull out the media supply guide as far as it goes.



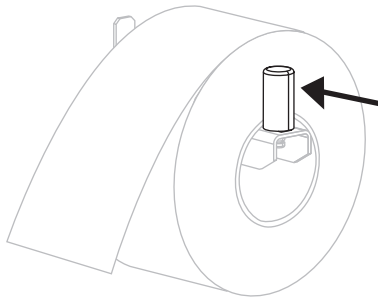


Roll Media (Continued)

- c. Place the roll of media on the media supply hanger. Push the roll back as far as it will go.

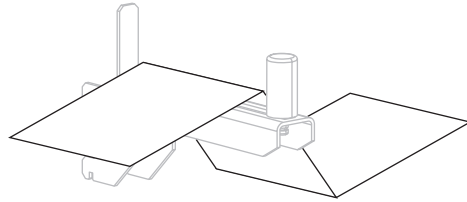


- d. Slide in the media supply guide until it touches the edge of the roll.

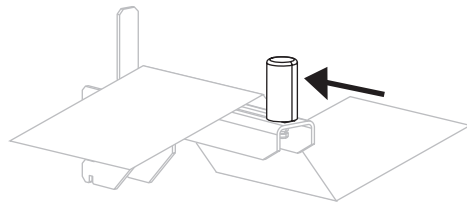


Fanfold Media (Continued)

- c. Drape the media over the media supply hanger.



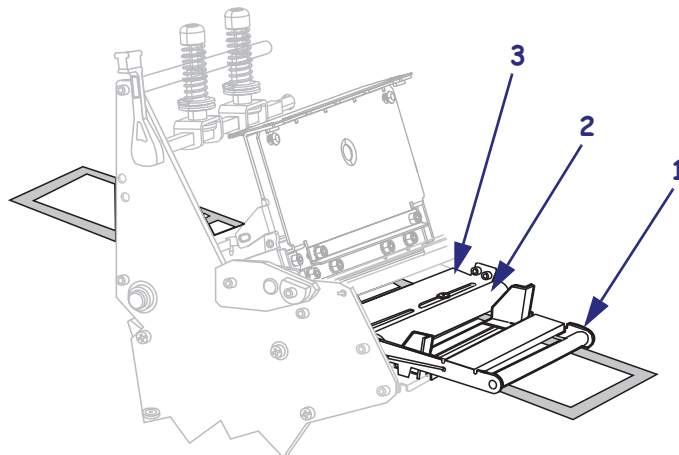
- d. Slide in the media supply guide until it touches the edge of the media.



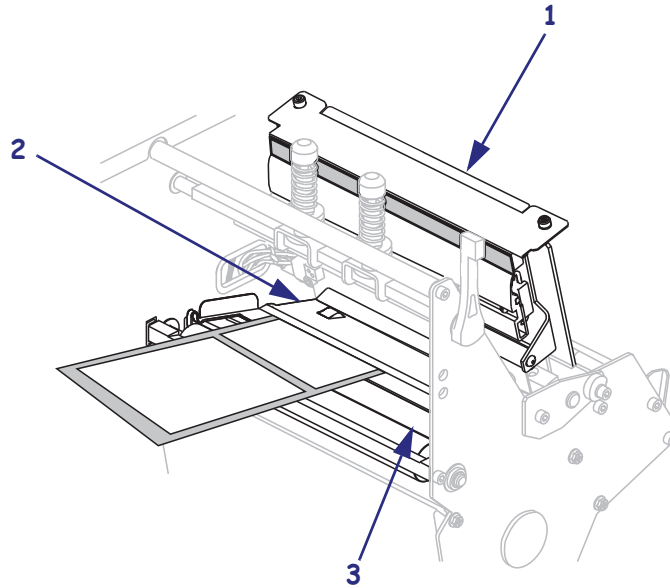
- 5. Thread the media under the media dancer assembly roller (1), the media guide roller (2), and then the upper media sensor (3).



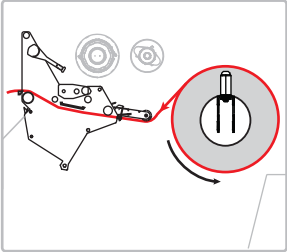
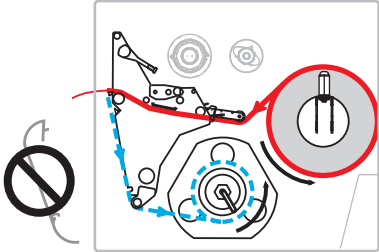
Important • Make sure that you thread the media under these components. If you thread the media over them, the media obstructs the ribbon sensor and causes a false **RIBBON OUT** error.



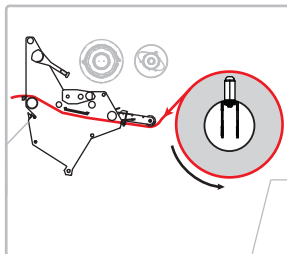
6. Push the media forward until it passes under the printhead assembly (1), under the snap plate (2), and then over the platen roller (3).



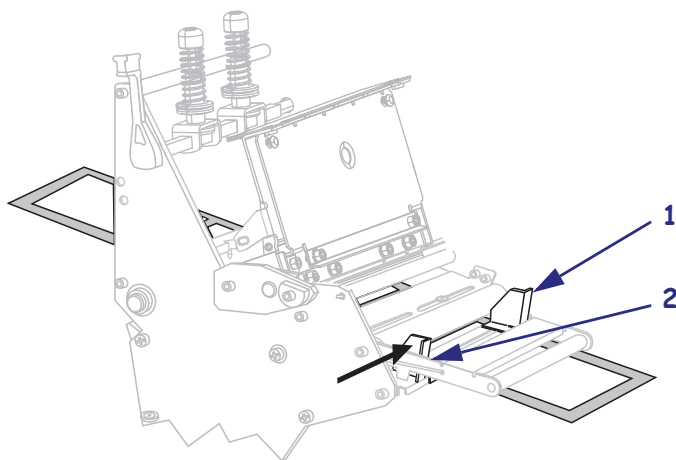
7. In which print mode will your printer be operating? (For more information on print modes, see *Select a Print Mode* on page 51.)

If using...	Then...
<p data-bbox="435 1066 607 1094">Tear-Off mode</p> 	<p data-bbox="1008 1066 1341 1129">Continue with <i>Final Steps for Tear-Off Mode</i> on page 65.</p>
<p data-bbox="435 1386 602 1413">Peel-Off mode</p> 	<p data-bbox="1008 1386 1406 1449">Continue with <i>Final Steps for Peel-Off Mode</i> on page 67.</p>

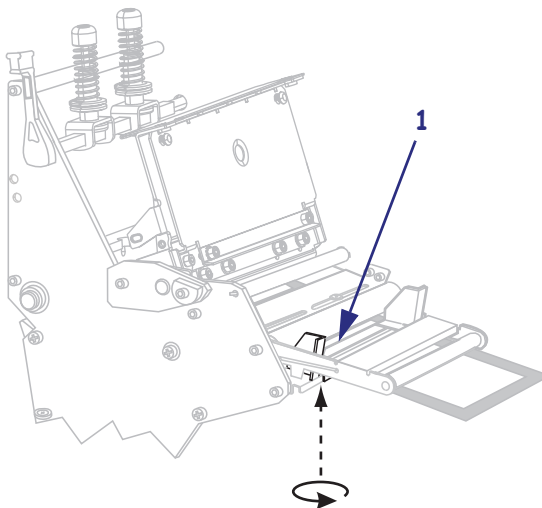
Final Steps for **Tear-Off Mode**



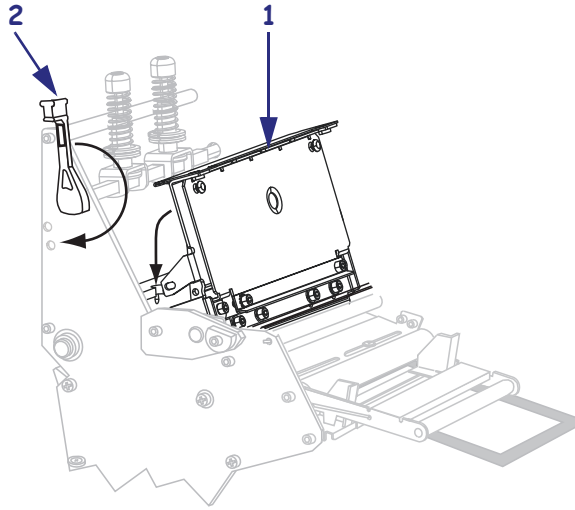
8. Align the media with the inner media guide (1). Slide in the outer media guide (2) until it just touches the edge of the media.



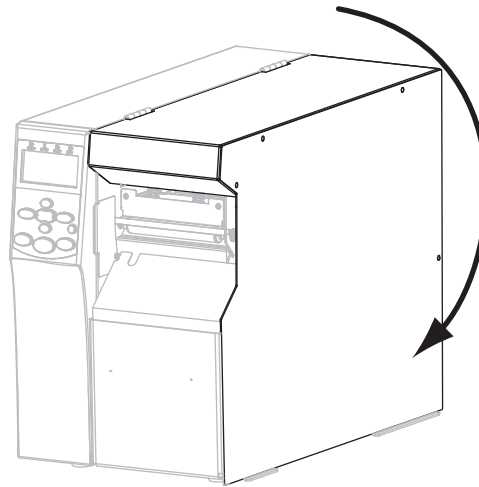
9. Tighten the thumb screw (not visible from this angle) that is located on the bottom of the outer media guide (1).



10. Push down the printhead assembly (1), and then rotate the printhead-open lever (2) until it locks into place.



11. Close the media door.



12. Set the printer to Tear-Off mode.
13. If desired, perform the *CANCEL Self Test* to verify that your printer is able to print.