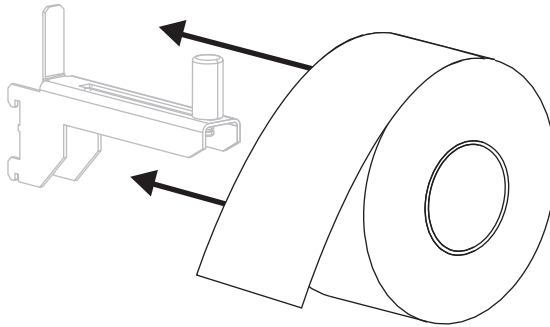
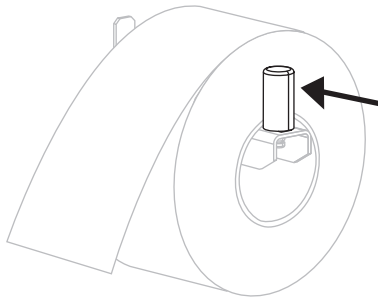


Roll Media (Continued)

- c. Place the roll of media on the media supply hanger. Push the roll back as far as it will go.

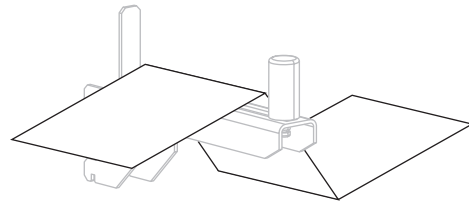


- d. Slide in the media supply guide until it touches the edge of the roll.

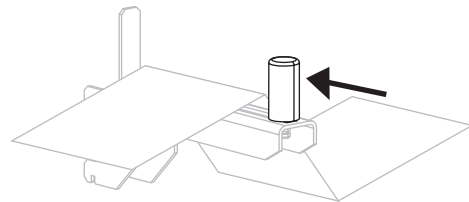


Fanfold Media (Continued)

- c. Drape the media over the media supply hanger.



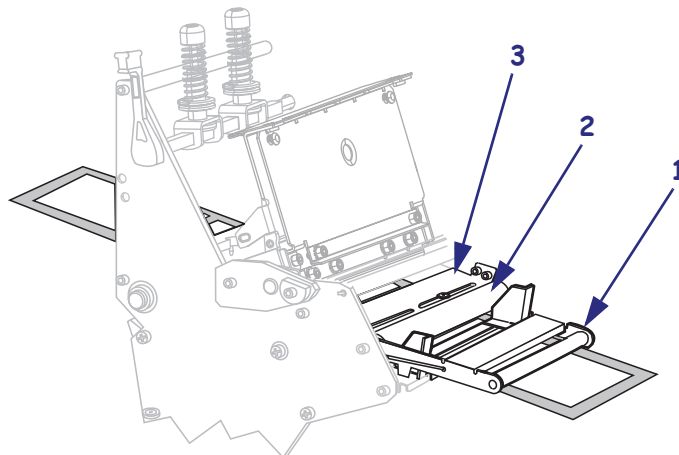
- d. Slide in the media supply guide until it touches the edge of the media.



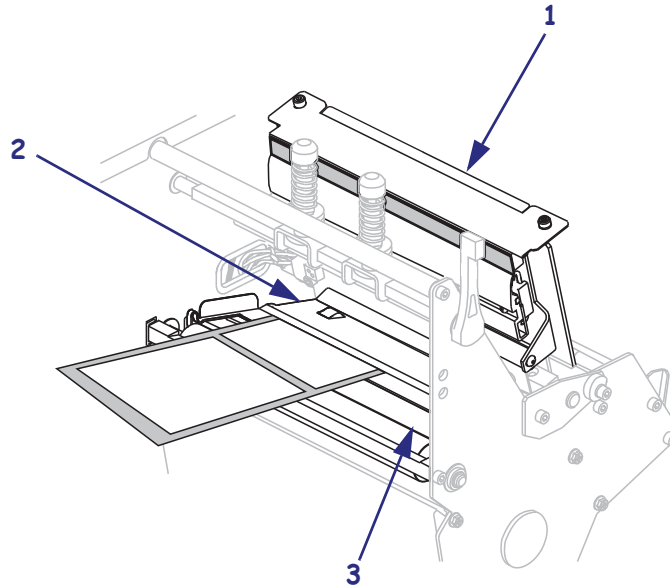
- 5. Thread the media under the media dancer assembly roller (1), the media guide roller (2), and then the upper media sensor (3).



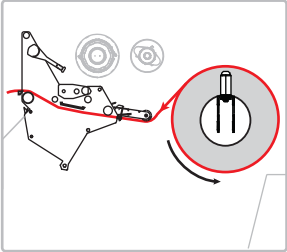
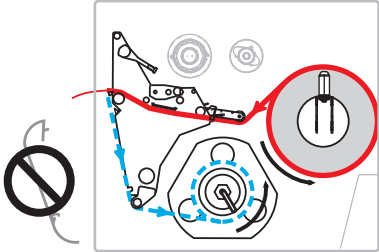
Important • Make sure that you thread the media under these components. If you thread the media over them, the media obstructs the ribbon sensor and causes a false **RIBBON OUT** error.



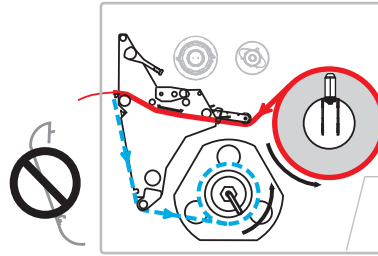
6. Push the media forward until it passes under the printhead assembly (1), under the snap plate (2), and then over the platen roller (3).



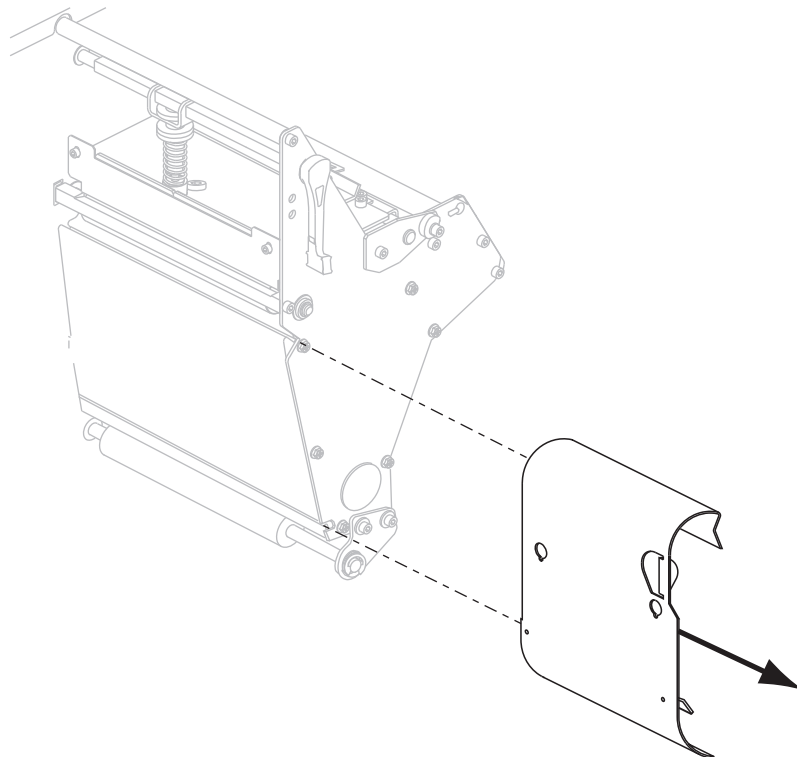
7. In which print mode will your printer be operating? (For more information on print modes, see *Select a Print Mode* on page 51.)

If using...	Then...
<p data-bbox="435 1066 602 1094">Tear-Off mode</p> 	<p data-bbox="1008 1066 1344 1129">Continue with <i>Final Steps for Tear-Off Mode</i> on page 65.</p>
<p data-bbox="435 1386 602 1413">Peel-Off mode</p> 	<p data-bbox="1008 1386 1409 1449">Continue with <i>Final Steps for Peel-Off Mode</i> on page 67.</p>

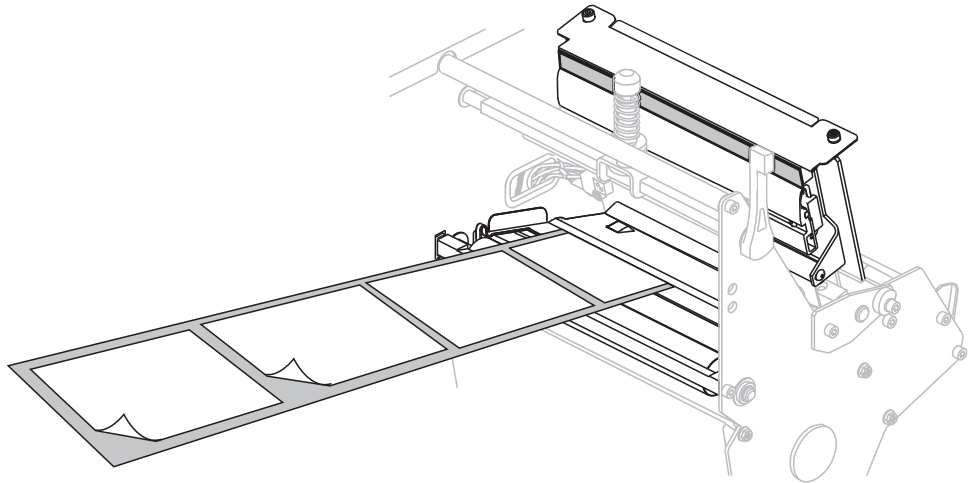
Final Steps for Peel-Off Mode



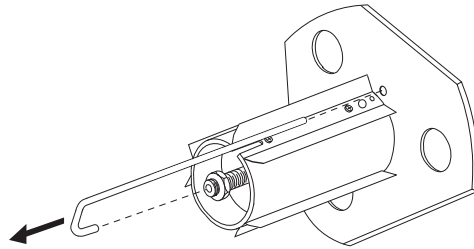
8. Remove the rewind plate (if installed) from the front of the printer. Store it on the two mounting screws on the inside of the printer base.



9. Extend approximately 36 in. (920 mm) of media out of the printer. Remove and discard the labels from this exposed media.



10. Remove the hook from the rewind spindle.

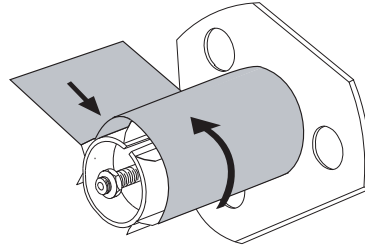


11. If you are using a core, slide it onto the rewind spindle until it is flush against the guide plate.

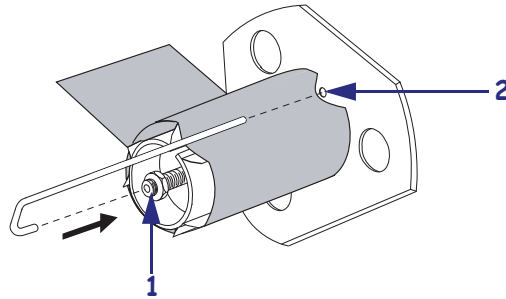


Note • A core is not required.

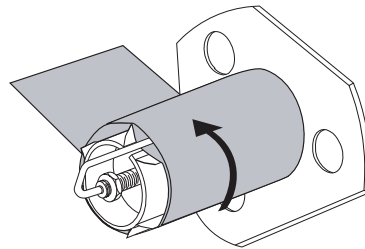
12. Wind the media liner counterclockwise around the rewind spindle.



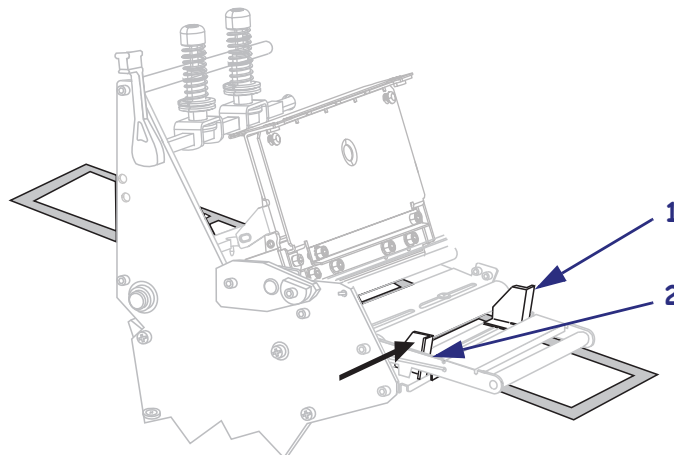
- a. Reinstall the hook. Insert the short end of the hook into the hole in the center of the adjusting nut (1). Insert the long end of the hook into the small hole on the guide plate (2).



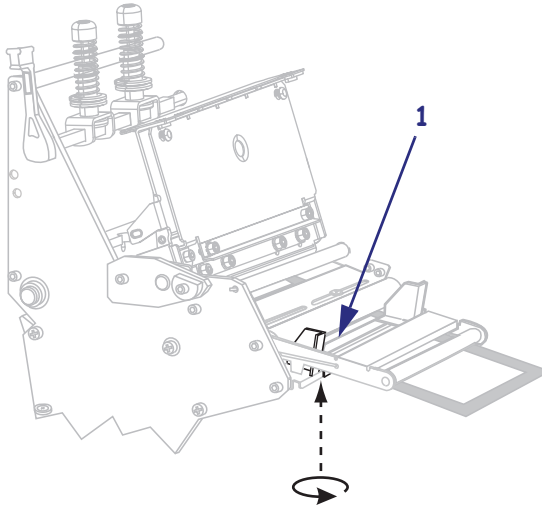
- b. Rotate the spindle counterclockwise several turns to wind the media liner over the hook and remove any slack.



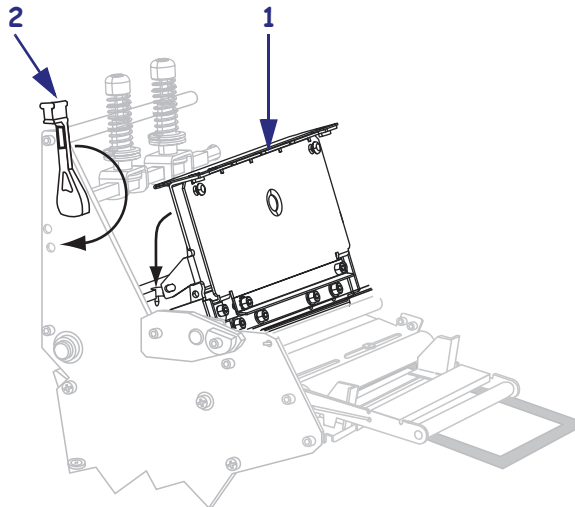
13. Align the media with the inner media guide (1). Slide in the outer media guide (2) until it just touches the edge of the media.



14. Tighten the thumb screw (not visible from this angle) that is located on the bottom of the outer media guide (1).

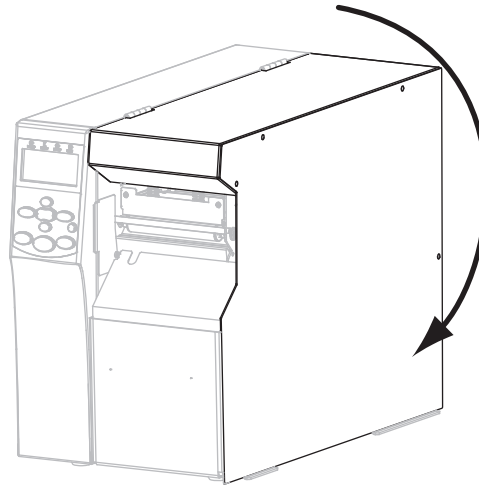


15. Push down the printhead assembly (1), and then rotate the printhead-open lever (2) until it locks into place.



The backing winds on the rewind spindle or core.

16. Close the media door.



17. Set the printer to Peel-Off mode.

18. If desired, perform the *CANCEL Self Test* to verify that your printer is able to print.