

Adjust Media Sensors

This section describes how to adjust the media sensors.

Black Mark Sensor

The optional black mark sensor is in a fixed position and is enabled via the control panel (see *Set the Sensor Type* on page 90 for details).

Transmissive Sensor

The transmissive sensor, which is used to detect web media, consists of two sections: a light source (the lower media sensor) and a light sensor (the upper media sensor). The media passes between the two.

Adjust these sensors only when the printer cannot detect the top of the label. The control panel LCD displays **ERROR CONDITION PAPER OUT**, even though there are labels loaded in the printer.

Upper Media Sensor

The upper media sensor must be positioned:

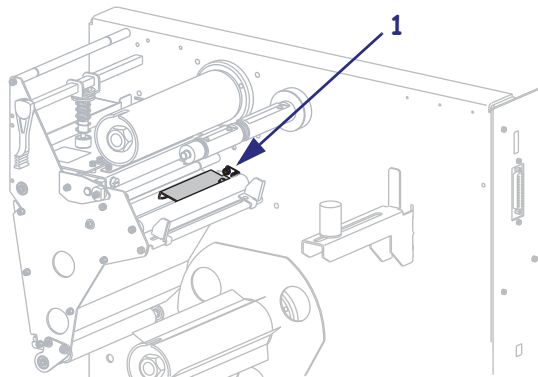
- Directly over the hole or notch, or
- Anywhere along the width of the media if there is a gap between labels.



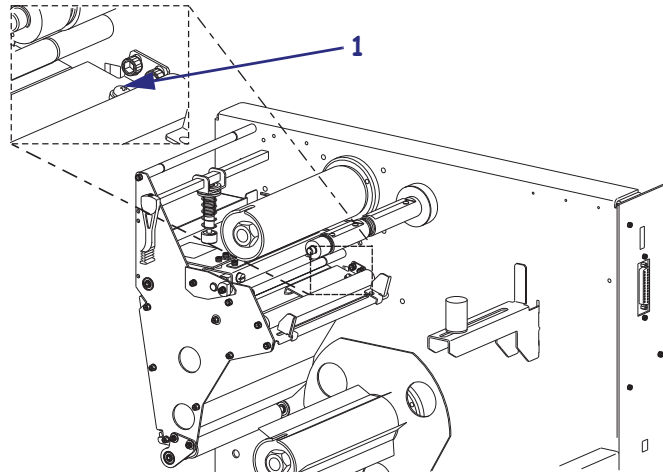
Note • If you are using continuous media, position the upper media sensor over the media with the lower media sensor directly below it so that the printer can detect an out-of-paper condition.

To adjust the upper and lower media sensors, complete these steps:

1. Remove media and ribbon.
2. Locate the upper media sensor (1). The upper media sensor “eye” is directly below the adjustment screw head.



- Using a Phillips-head screwdriver, slightly loosen the upper media sensor adjustment screw (1).

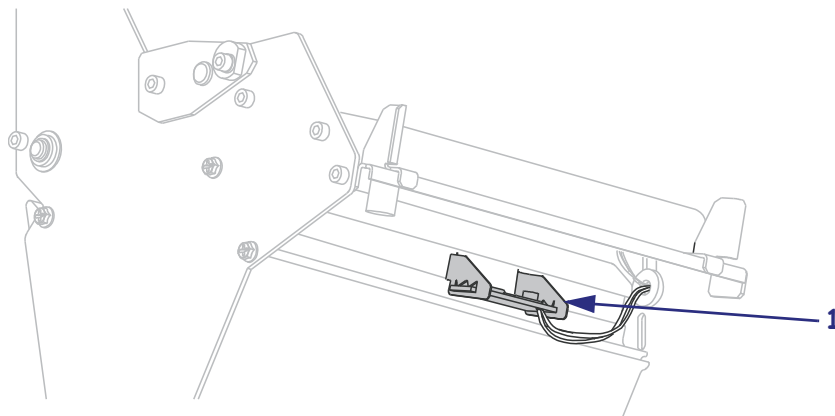


- Using the tip of the screwdriver, slide the upper sensor along the slot to the desired position (for non-continuous media with a notch or hole in the media, the sensor must be directly above the notch or hole).
- Tighten the upper media sensor adjustment screw.

Lower Media Sensor



To adjust the lower media sensor, complete these steps:

- Locate the lower media sensor assembly (1) under the rear roller. The sensor is a spring clip holding a circuit board.



- Slide the lower media sensor in its slot until the lower media sensor (light source) is positioned directly below the upper media sensor.

Table 10 • Printer Parameters (Page 3 of 19)

Parameter	Action/Explanation
<div style="border: 1px solid black; padding: 2px;"> <p style="text-align: center; margin: 0;">MEDIA TYPE</p> <p style="text-align: center; margin: 0;">-NON-CONTINUOUS +</p> </div>	<p>Set Media Type</p> <p>This parameter tells the printer the type of media that you are using (see <i>Types of Media</i> on page 33 for more information). Selecting continuous media requires that you include a label length instruction in your label format (^Lxxxxx if you are using ZPL or ZPL II).</p> <p>When non-continuous media is selected, the printer feeds media to calculate label length (the distance between two recognized registration points of the inter-label gap, webbing, or alignment notch or hole).</p> <p>Default: NON-CONTINUOUS</p> <p>Selections: CONTINUOUS, NON-CONTINUOUS</p> <p>To change the value shown:</p> <ol style="list-style-type: none"> 1. Press PLUS (+) or MINUS (-) to toggle between the options.
<div style="border: 1px solid black; padding: 2px;"> <p style="text-align: center; margin: 0;">SENSOR TYPE</p> <p style="text-align: center; margin: 0;">-WEB +</p> </div>	<p>Set the Sensor Type</p> <p> Note • The black mark sensor is a purchasable option.</p> <p>This parameter tells the printer whether you are using media with a web (gap/space between labels, notch, or hole) to indicate the separations between labels or if you are using media with a black mark printed on the back. If your media does not have black marks for registration on the back, leave your printer at the default (WEB).</p> <p>Default: WEB</p> <p>Selections: WEB, MARK</p> <p>To change the value shown:</p> <ol style="list-style-type: none"> 1. Press PLUS (+) or MINUS (-) to toggle between the options.
<div style="border: 1px solid black; padding: 2px;"> <p style="text-align: center; margin: 0;">PRINT METHOD</p> <p style="text-align: center; margin: 0;">-THERMAL-TRANS. +</p> </div>	<p>Select Print Method</p> <p>The print method parameter tells the printer the method of printing that you wish to use: direct thermal (no ribbon) or thermal transfer (using thermal transfer media and ribbon).</p> <p>Default: THERMAL TRANSFER</p> <p>Selections: THERMAL TRANSFER, DIRECT THERMAL</p> <p> Note • Selecting direct thermal when using thermal transfer media and ribbon creates an error condition, but printing continues.</p> <p>To change the value shown:</p> <ol style="list-style-type: none"> 1. Press PLUS (+) or MINUS (-) to toggle between the options.